

Item No.:	_____	Qty.	_____
Model No.:	_____		
Project No.:	_____		



Specifications

14" Standard Series Sink, with two compartments, left drainboard, 9" backsplash, 16 gauge, 300 series stainless steel top and bowl, galvanized H-frame legs & adjustable feet, raised 1-1/2" rolled edge, includes 3-1/2" basket strainer, NSF approved

Features

- 16 Ga. stainless steel
- Welded construction for consistent metal gauge thickness throughout
- 14" (355.6 mm) deep tub with 3/4" (19.1 mm) coved radius tub corners
- Drainboard is die stamped for positive drainage
- 9" (228.6 mm) backsplash with tile ledge for easy installation
- Raised 1-1/2" (38.1 mm) diameter rolled edge
- 3-1/2" (88.9 mm) drain with basket strainers included
- 1-5/8" (41.3 mm) galvanized H-frame legs with 1" (25.4 mm) adjustable plastic feet
- 2" (50.8 mm) divider between each tub

14" Standard Series Sinks

14" Deep Standard Series Two Compartment Stainless Steel Sinks

- | | |
|--|--|
| <input type="checkbox"/> 14-2C16X20-L-18 | <input type="checkbox"/> 14-2C20X20-L-24 |
| <input type="checkbox"/> 14-2C16X20-L-24 | <input type="checkbox"/> 14-2C20X28-L-20 |
| <input type="checkbox"/> 14-2C18X18-L-18 | <input type="checkbox"/> 14-2C20X28-L-24 |
| <input type="checkbox"/> 14-2C18X18-L-24 | <input type="checkbox"/> 14-2C24X24-L-24 |
| <input type="checkbox"/> 14-2C18X24-L-18 | <input type="checkbox"/> 14-2C24X24-L-30 |
| <input type="checkbox"/> 14-2C18X24-L-24 | <input type="checkbox"/> 14-2C24X30-L-24 |
| <input type="checkbox"/> 14-2C18X30-L-18 | <input type="checkbox"/> 14-2C24X30-L-30 |
| <input type="checkbox"/> 14-2C18X30-L-24 | <input type="checkbox"/> 14-1C30X30-L-24 |
| <input type="checkbox"/> 14-2C20X20-L-20 | <input type="checkbox"/> 14-2C30X30-L-30 |

Options

- Overshelves and Pot Racks
- Skirts & End Splashes
- Faucets
- Tub & Drainboard Modifications
- Tub Accessories
- Disposer Provisions
- Rotary Drain Options
- Undershelves
- Stainless Steel Leg Sockets
- H-Frame Stainless Steel Legs
- Stainless Steel Feet Options (bullet & flange styles)

Materials

- Sink & Bowl: 16 Ga. 300 series stainless steel
- Top: Drainboard and backsplash are 16 gauge 300 series stainless steel.
- Legs: All sinks furnished with 1-5/8" (41.3 mm) diameter heavy gauge galvanized tubing with plated galvanized leg gussets and high impact corrosion resistant fully adjustable 1" (25.4 mm) feet.

Mechanical

- 1-1/8" (28.6mm) faucet holes on 8" (203.2mm) centers
- 3-1/2" (88.9mm) waste drain opening



AUTOQUOTES



In keeping with our policy of continuing product improvement, Elkay SSP reserves the right to change product specifications without notice.

This specification describes an Elkay SSP product with design, quality and functional benefits to the user. When making a comparison of other producers' offerings, be certain these features are not overlooked.

Elkay SSP

421 N. Freya St.
Spokane, WA 99205
Phone: 800-726-0553 Fax: 509-535-1493

Website: www.sspinc.net
Email: sspsales@elkay.com
©2011 SSP INC.



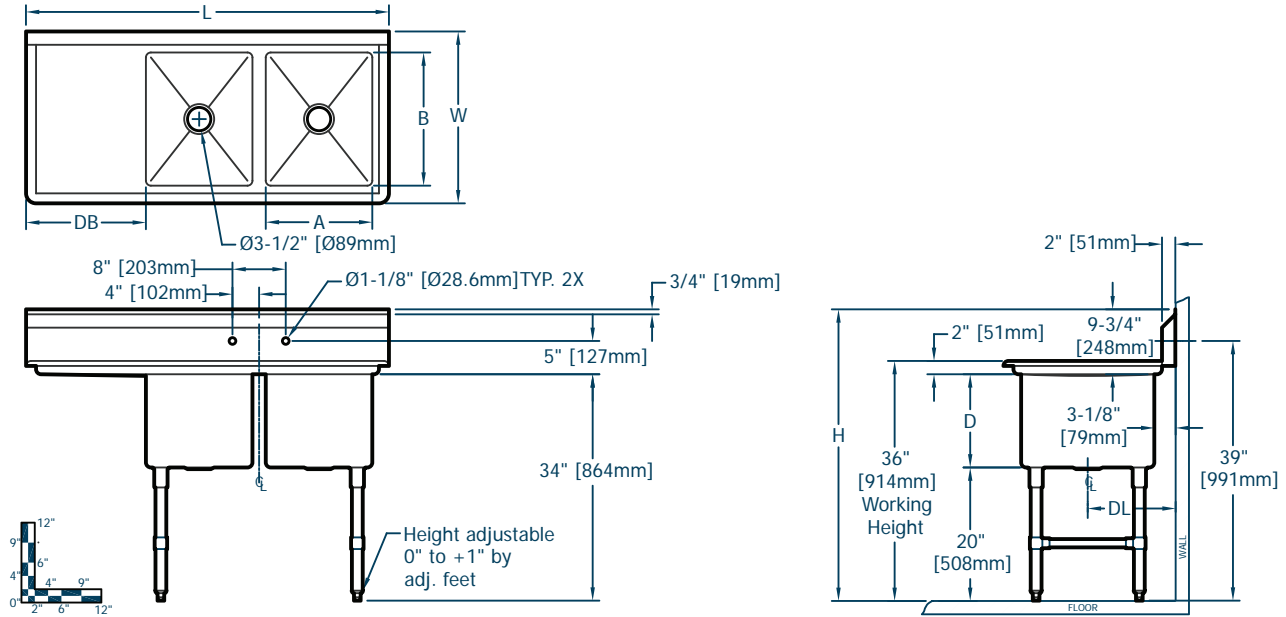
Item No.: _____ Qty. _____

Model No.: _____

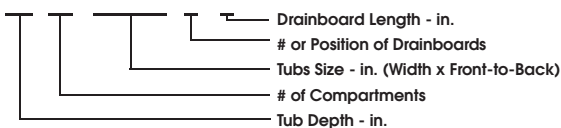
Project No.: _____

14" Standard Series Sinks

14" Deep Standard Series Two Compartment Stainless Steel Sinks



14" Standard Series Sinks																			
Model Number	Bowl Dimensions						Overall Size			Drainboard		Drain Location		Weight					
	Width		Front-to-Back		Depth		Length		Width	Height		Location	Size DB		Location DL		lbs.	kg	
	in.	mm	in.	mm	in.	mm	in.	mm	in.	mm	in.	mm	in.	mm	in.	mm			
14 2C 16 X 20 L 18	16	406	20	508	14	356	54.5	1384	25.8	656	43.8	1111	Left	18	457	13.1	333	153	69
14 2C 16 X 20 L 24	16	406	20	508	14	356	60.5	1537	25.8	656	43.8	1111	Left	24	610	13.1	333	160	72
14 2C 18 X 18 L 18	18	457	18	457	14	356	58.5	1486	23.8	605	43.8	1111	Left	18	457	12.1	308	157	71
14 2C 18 X 18 L 24	18	457	18	457	14	356	64.5	1638	23.8	605	43.8	1111	Left	24	610	12.1	308	165	75
14 2C 18 X 24 L 18	18	457	24	610	14	356	58.5	1486	29.8	757	43.8	1111	Left	18	457	15.1	384	174	79
14 2C 18 X 24 L 24	18	457	24	610	14	356	64.5	1638	29.8	757	43.8	1111	Left	24	610	15.1	384	182	82
14 2C 18 X 30 L 18	18	457	30	762	14	356	58.5	1486	35.8	910	43.8	1111	Left	18	457	18.1	460	180	81
14 2C 18 X 30 L 24	18	457	30	762	14	356	64.5	1638	35.8	910	43.8	1111	Left	24	610	18.1	460	188	85
14 2C 20 X 20 L 20	20	508	20	508	14	356	64.5	1638	25.8	656	43.8	1111	Left	20	508	13.1	333	183	83
14 2C 20 X 20 L 24	20	508	20	508	14	356	68.5	1740	25.8	656	43.8	1111	Left	24	610	13.1	333	188	85
14 2C 20 X 28 L 20	20	508	28	711	14	356	64.5	1638	33.8	859	43.8	1111	Left	20	508	17.1	435	197	89
14 2C 20 X 28 L 24	20	508	28	711	14	356	68.5	1740	33.8	859	43.8	1111	Left	24	610	17.1	435	202	92
14 2C 24 X 24 L 24	24	610	24	610	14	356	76.5	1943	29.8	757	43.8	1111	Left	24	610	15.1	384	221	100
14 2C 24 X 24 L 30	24	610	24	610	14	356	82.5	2096	29.8	757	43.8	1111	Left	30	762	15.1	384	231	105
14 2C 24 X 30 L 24	24	610	30	762	14	356	76.5	1943	35.8	910	43.8	1111	Left	24	610	18.1	460	231	105
14 2C 24 X 30 L 30	24	610	30	762	14	356	82.5	2096	35.8	910	43.8	1111	Left	30	762	18.1	460	253	115
14 2C 30 X 30 L 24	30	762	30	762	14	356	88.5	2248	35.8	910	43.8	1111	Left	24	610	18.1	460	264	120
14 2C 30 X 30 L 30	30	762	30	762	14	356	94.5	2400	35.8	910	43.8	1111	Left	30	762	18.1	460	286	130



Elkay SSP

421 N. Freya St.
Spokane, WA 99205
Phone: 800-726-0553 Fax: 509-535-1493

Website: www.sspinc.net
Email: sspsales@elkay.com
©2011 SSP INC.