

Item No.:	_____	Qty.	_____
Model No.:	_____		
Project No.:	_____		



Specifications

14" Standard Series Sink, with three compartments, no drainboards, 9" backsplash, 16 gauge, 300 series stainless steel top and bowl, galvanized H-frame legs & adjustable feet, raised 1-1/2" rolled edge, includes 3-1/2" basket strainer, NSF approved

Features

- 16 Ga. stainless steel
- Welded construction for consistent metal gauge thickness throughout
- 14" (355.6 mm) deep tub with 3/4" (19.1 mm) coved radius tub corners
- 9" (228.6 mm) backsplash with tile ledge for easy installation
- Raised 1-1/2" (38.1 mm) diameter rolled edge
- 3-1/2" (88.9 mm) drain with basket strainers included
- 1-5/8" (41.3 mm) galvanized H-frame legs with 1" (25.4 mm) adjustable plastic feet
- 2" (50.8 mm) divider between each tub

14" Standard Series Sinks

14" Deep Standard Series Three Compartment Stainless Steel Sinks

- 14-3C16X20-0
- 14-3C18X18-0
- 14-3C18X24-0
- 14-3C18X30-0
- 14-3C20X20-0
- 14-3C20X28-0
- 14-3C24X24-0
- 14-3C24X30-0
- 14-3C30X30-0

Options

- Overshelves and Pot Racks
- Skirts & End Splashes
- Faucets
- Tub & Drainboard Modifications
- Tub Accessories
- Disposer Provisions
- Rotary Drain Options
- Undershelves
- Stainless Steel Leg Sockets
- H-Frame Stainless Steel Legs
- Stainless Steel Feet Options (bullet & flange styles)

Materials

- Sink & Bowl: 16 Ga. 300 series stainless steel
- Top: Backsplash is 16 gauge 300 series stainless steel.
- Legs: All sinks furnished with 1-5/8" (41.3 mm) diameter heavy gauge galvanized tubing with plated galvanized leg gussets and high impact corrosion resistant fully adjustable 1" (25.4 mm) feet.

Mechanical

- 1-1/8" (28.6mm) faucet holes on 8" (203.2mm) centers
- 3-1/2" (88.9mm) waste drain opening



AUTOQUOTES



In keeping with our policy of continuing product improvement, Elkay SSP reserves the right to change product specifications without notice.

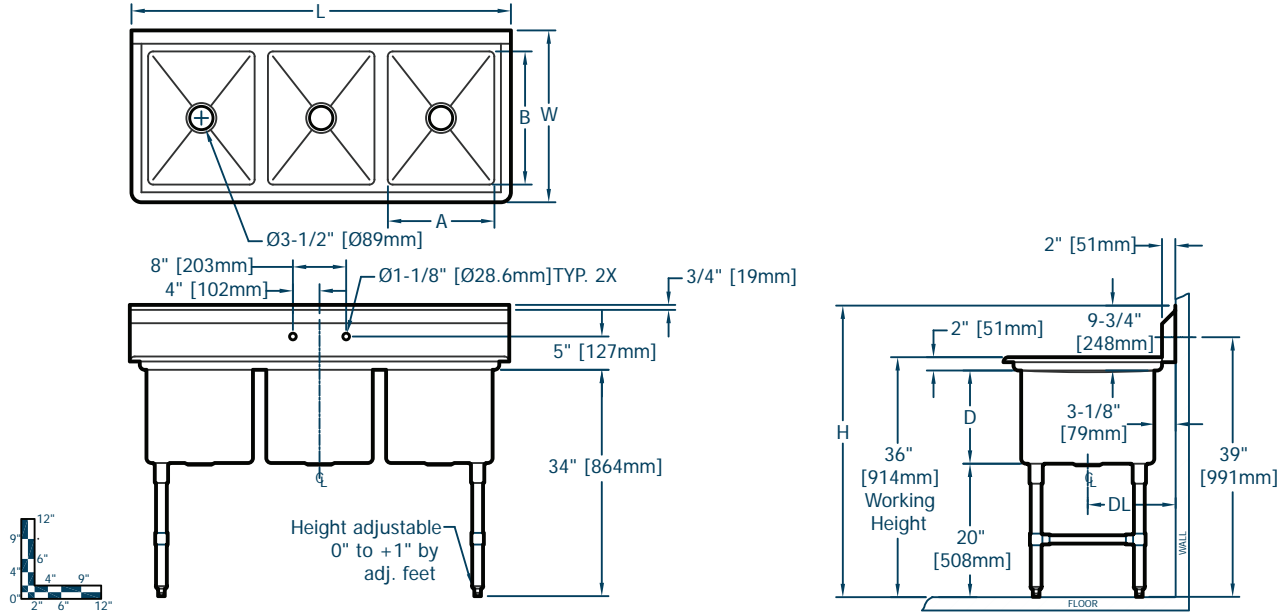
This specification describes an Elkay SSP product with design, quality and functional benefits to the user. When making a comparison of other producers' offerings, be certain these features are not overlooked.



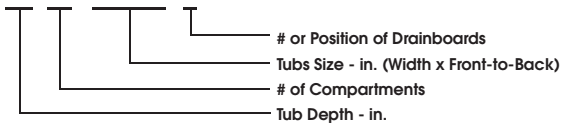
Item No.: _____ Qty. _____
 Model No.: _____
 Project No.: _____

14" Standard Series Sinks

14" Deep Standard Series Three Compartment Stainless Steel Sinks



14" Standard Series Sinks																			
Model Number	Bowl Dimensions						Overall Size			Drainboard		Drain Location		Weight					
	Width		Front-to-Back		Depth		Length		Width	Height		Location	Size DB	Location DL		lbs.	kg		
	A	mm	B	mm	D	mm	L	mm	W	mm	H	mm		in.	mm	in.	mm		
14 3C 16 X 20 0	16	406	20	508	14	356	57	1448	25.8	656	43.8	1111	No	0	0	13.1	333	263	119
14 3C 18 X 18 0	18	457	18	457	14	356	63	1600	23.8	605	43.8	1111	No	0	0	12.1	308	276	125
14 3C 18 X 24 0	18	457	24	610	14	356	63	1600	29.8	757	43.8	1111	No	0	0	15.1	384	304	138
14 3C 18 X 30 0	18	457	30	762	14	356	63	1600	35.8	910	43.8	1111	No	0	0	18.1	460	313	142
14 3C 20 X 20 0	20	508	20	508	14	356	69	1753	25.8	656	43.8	1111	No	0	0	13.1	333	320	145
14 3C 20 X 28 0	20	508	28	711	14	356	69	1753	33.8	859	43.8	1111	No	0	0	17.1	435	338	153
14 3C 24 X 24 0	24	610	24	610	14	356	81	2057	29.8	757	43.8	1111	No	0	0	15.1	384	363	165
14 3C 24 X 30 0	24	610	30	762	14	356	81	2057	35.8	910	43.8	1111	No	0	0	18.1	460	398	181
14 3C 30 X 30 0	30	762	30	762	14	356	99	2515	35.8	910	43.8	1111	No	0	0	18.1	460	464	210



Elkay SSP
 421 N. Freya St.
 Spokane, WA 99205
 Phone: 800-726-0553 Fax: 509-535-1493

Website: www.sspinc.net
 Email: sspsales@elkay.com
 ©2011 SSP INC.