

Item No.:	_____	Qty.	_____
Model No.:	_____		
Project No.:	_____		



Specifications

14" Standard Series Sink, with three compartments, right drainboard, 9" backsplash, 16 gauge, 300 series stainless steel top and bowl, galvanized H-frame legs & adjustable feet, raised 1-1/2" rolled edge, includes 3-1/2" basket strainer, NSF approved

Features

- 16 Ga. stainless steel
- Welded construction for consistent metal gauge thickness throughout
- 14" (355.6 mm) deep tub with 3/4" (19.1 mm) coved radius tub corners
- Drainboard is die stamped for positive drainage
- 9" (228.6 mm) backsplash with tile ledge for easy installation
- Raised 1-1/2" (38.1 mm) diameter rolled edge
- 3-1/2" (88.9 mm) drain with basket strainers included
- 1-5/8" (41.3 mm) galvanized H-frame legs with 1" (25.4 mm) adjustable plastic feet
- 2" (50.8 mm) divider between each tub

In keeping with our policy of continuing product improvement, Elkay SSP reserves the right to change product specifications without notice.

14" Standard Series Sinks

14" Deep Standard Series Three Compartment Stainless Steel Sinks

- | | |
|------------------------------------------|------------------------------------------|
| <input type="checkbox"/> 14-3C16X20-R-18 | <input type="checkbox"/> 14-3C20X20-R-24 |
| <input type="checkbox"/> 14-3C16X20-R-24 | <input type="checkbox"/> 14-3C20X28-R-20 |
| <input type="checkbox"/> 14-3C18X18-R-18 | <input type="checkbox"/> 14-3C20X28-R-24 |
| <input type="checkbox"/> 14-3C18X18-R-24 | <input type="checkbox"/> 14-3C24X24-R-24 |
| <input type="checkbox"/> 14-3C18X24-R-18 | <input type="checkbox"/> 14-3C24X24-R-30 |
| <input type="checkbox"/> 14-3C18X24-R-24 | <input type="checkbox"/> 14-3C24X30-R-24 |
| <input type="checkbox"/> 14-3C18X30-R-18 | <input type="checkbox"/> 14-3C24X30-R-30 |
| <input type="checkbox"/> 14-3C18X30-R-24 | <input type="checkbox"/> 14-3C30X30-R-24 |
| <input type="checkbox"/> 14-3C20X20-R-20 | <input type="checkbox"/> 14-3C30X30-R-30 |

Options

- Overshelves and Pot Racks
- Skirts & End Splashes
- Faucets
- Tub & Drainboard Modifications
- Tub Accessories
- Disposer Provisions
- Rotary Drain Options
- Undershelves
- Stainless Steel Leg Sockets
- H-Frame Stainless Steel Legs
- Stainless Steel Feet Options (bullet & flange styles)

Materials

- Sink & Bowl: 16 Ga. 300 series stainless steel
- Top: Drainboard and backsplash are 16 gauge 300 series stainless steel.
- Legs: All sinks furnished with 1-5/8" (41.3 mm) diameter heavy gauge galvanized tubing with plated galvanized leg gussets and high impact corrosion resistant fully adjustable 1" (25.4 mm) feet.

Mechanical

- 1-1/8" (28.6mm) faucet holes on 8" (203.2mm) centers
- 3-1/2" (88.9mm) waste drain opening



AUTOQUOTES



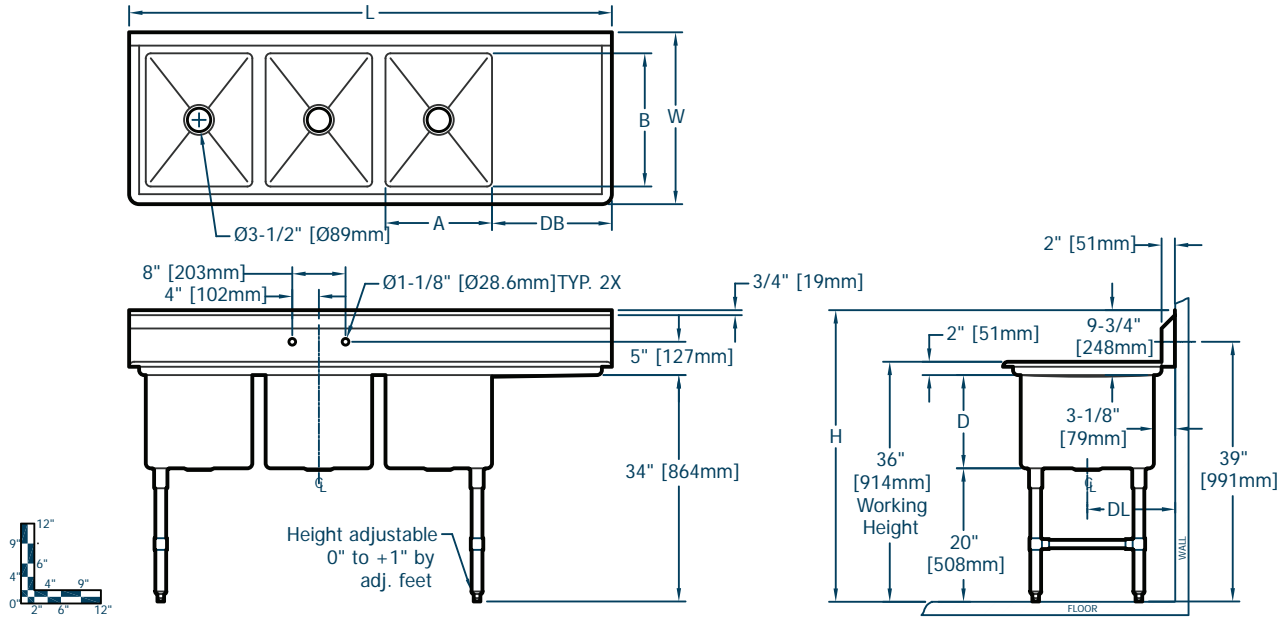
This specification describes an Elkay SSP product with design, quality and functional benefits to the user. When making a comparison of other producers' offerings, be certain these features are not overlooked.



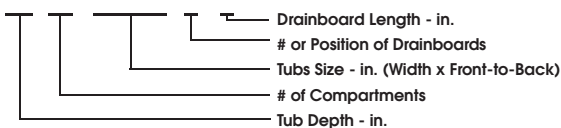
Item No.: _____ Qty. _____
 Model No.: _____
 Project No.: _____

14" Standard Series Sinks

14" Deep Standard Series Three Compartment Stainless Steel Sinks



14" Standard Series Sinks													
Model Number	Bowl Dimensions			Overall Size			Drainboard		Drain		Weight		
	Width	Front-to-Back	Depth	Length	Width	Height	Location	Size	Location	lbs.	kg		
	in. A	in. B	in. D	in. L	in. W	in. H		in. DB	in. DL				
14 3C 16 X 20 R 18	16	20	14	72.5	25.8	43.8	Right	18	13.1	284	129		
14 3C 16 X 20 R 24	16	20	14	78.5	25.8	43.8	Right	24	13.1	291	132		
14 3C 18 X 18 R 18	18	18	14	78.5	23.8	43.8	Right	18	12.1	295	134		
14 3C 18 X 18 R 24	18	18	14	84.5	23.8	43.8	Right	24	12.1	302	137		
14 3C 18 X 24 R 18	18	24	14	78.5	29.8	43.8	Right	18	15.1	326	148		
14 3C 18 X 24 R 24	18	24	14	84.5	29.8	43.8	Right	24	15.1	334	151		
14 3C 18 X 30 R 18	18	30	14	78.5	35.8	43.8	Right	18	18.1	336	152		
14 3C 18 X 30 R 24	18	30	14	84.5	35.8	43.8	Right	24	18.1	344	156		
14 3C 20 X 20 R 20	20	20	14	86.5	25.8	43.8	Right	20	13.1	343	156		
14 3C 20 X 20 R 24	20	20	14	90.5	25.8	43.8	Right	24	13.1	348	158		
14 3C 20 X 28 R 20	20	28	14	86.5	33.8	43.8	Right	20	17.1	365	165		
14 3C 20 X 28 R 24	20	28	14	90.5	33.8	43.8	Right	24	17.1	370	168		
14 3C 24 X 24 R 24	24	24	14	102.5	29.8	43.8	Right	24	15.1	403	183		
14 3C 24 X 24 R 30	24	24	14	108.5	29.8	43.8	Right	30	15.1	413	187		
14 3C 24 X 30 R 24	24	30	14	102.5	35.8	43.8	Right	24	18.1	430	195		
14 3C 24 X 30 R 30	24	30	14	108.5	35.8	43.8	Right	30	18.1	439	199		
14 3C 30 X 30 R 24	30	30	14	120.5	35.8	43.8	Right	24	18.1	496	225		
14 3C 30 X 30 R 30	30	30	14	126.5	35.8	43.8	Right	30	18.1	504	229		



Elkay SSP
 421 N. Freya St.
 Spokane, WA 99205
 Phone: 800-726-0553 Fax: 509-535-1493

Website: www.sspinc.net
 Email: sspsales@elkay.com
 ©2011 SSP INC.