

Item No.:	_____	Qty.	_____
Model No.:	_____		
Project No.:	_____		



Specifications

14" Standard Series Sink, with three compartments, left drainboard, 9" backsplash, 16 gauge, 300 series stainless steel top and bowl, galvanized H-frame legs & adjustable feet, raised 1-1/2" rolled edge, includes 3-1/2" basket strainer, NSF approved

Features

- 16 Ga. stainless steel
- Welded construction for consistent metal gauge thickness throughout
- 14" (355.6 mm) deep tub with 3/4" (19.1 mm) coved radius tub corners
- Drainboard is die stamped for positive drainage
- 9" (228.6 mm) backsplash with tile ledge for easy installation
- Raised 1-1/2" (38.1 mm) diameter rolled edge
- 3-1/2" (88.9 mm) drain with basket strainers included
- 1-5/8" (41.3 mm) galvanized H-frame legs with 1" (25.4 mm) adjustable plastic feet
- 2" (50.8 mm) divider between each tub

In keeping with our policy of continuing product improvement, Elkay SSP reserves the right to change product specifications without notice.

14" Standard Series Sinks

14" Deep Standard Series Three Compartment Stainless Steel Sinks

- | | |
|--|--|
| <input type="checkbox"/> 14-3C16X20-L-18 | <input type="checkbox"/> 14-3C20X20-L-24 |
| <input type="checkbox"/> 14-3C16X20-L-24 | <input type="checkbox"/> 14-3C20X28-L-20 |
| <input type="checkbox"/> 14-3C18X18-L-18 | <input type="checkbox"/> 14-3C20X28-L-24 |
| <input type="checkbox"/> 14-3C18X18-L-24 | <input type="checkbox"/> 14-3C24X24-L-24 |
| <input type="checkbox"/> 14-3C18X24-L-18 | <input type="checkbox"/> 14-3C24X24-L-30 |
| <input type="checkbox"/> 14-3C18X24-L-24 | <input type="checkbox"/> 14-3C24X30-L-24 |
| <input type="checkbox"/> 14-3C18X30-L-18 | <input type="checkbox"/> 14-3C24X30-L-30 |
| <input type="checkbox"/> 14-3C18X30-L-24 | <input type="checkbox"/> 14-3C30X30-L-24 |
| <input type="checkbox"/> 14-3C20X20-L-20 | <input type="checkbox"/> 14-3C30X30-L-30 |

Options

- Overshelves and Pot Racks
- Skirts & End Splashes
- Faucets
- Tub & Drainboard Modifications
- Tub Accessories
- Disposer Provisions
- Rotary Drain Options
- Undershelves
- Stainless Steel Leg Sockets
- H-Frame Stainless Steel Legs
- Stainless Steel Feet Options (bullet & flange styles)

Materials

- Sink & Bowl: 16 Ga. 300 series stainless steel
- Top: Drainboard and backsplash are 16 gauge 300 series stainless steel.
- Legs: All sinks furnished with 1-5/8" (41.3 mm) diameter heavy gauge galvanized tubing with plated galvanized leg gussets and high impact corrosion resistant fully adjustable 1" (25.4 mm) feet.

Mechanical

- 1-1/8" (28.6mm) faucet holes on 8" (203.2mm) centers
- 3-1/2" (88.9mm) waste drain opening



AUTOQUOTES



This specification describes an Elkay SSP product with design, quality and functional benefits to the user. When making a comparison of other producers' offerings, be certain these features are not overlooked.

Elkay SSP

421 N. Freya St.
Spokane, WA 99205
Phone: 800-726-0553 Fax: 509-535-1493

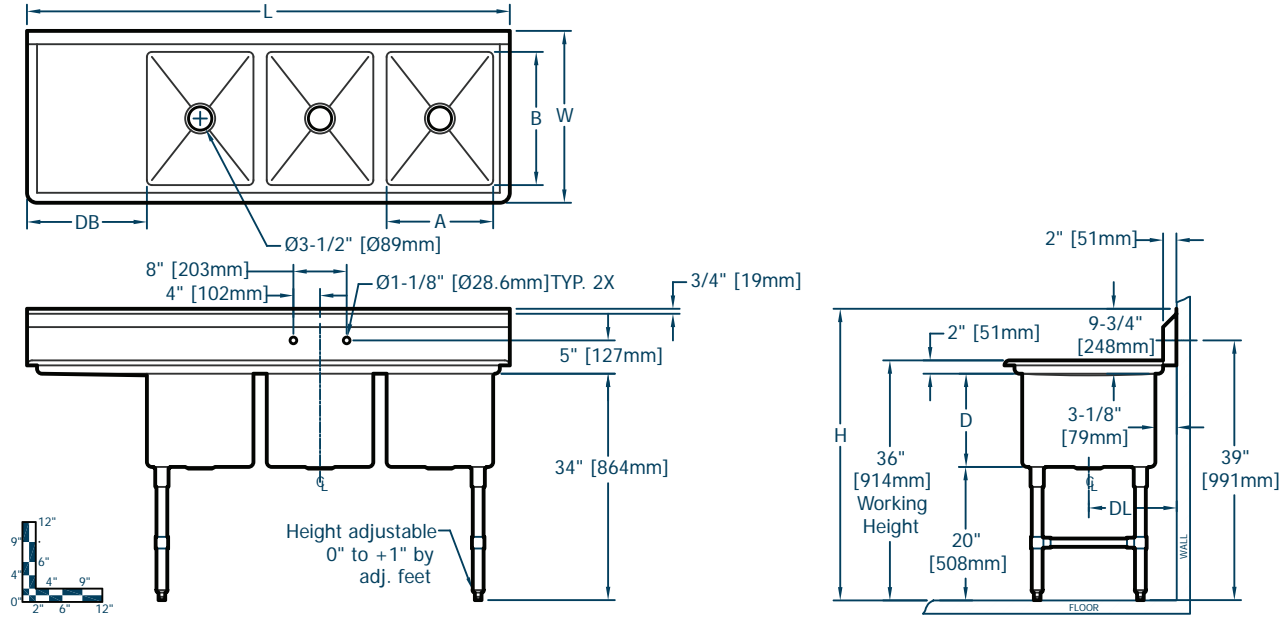
Website: www.sspinc.net
Email: sspsales@elkay.com
©2011 SSP INC.



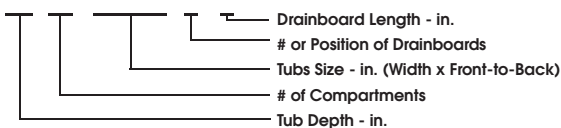
Item No.: _____ Qty. _____
 Model No.: _____
 Project No.: _____

14" Standard Series Sinks

14" Deep Standard Series Three Compartment Stainless Steel Sinks



14" Standard Series Sinks																			
Model Number	Bowl Dimensions						Overall Size			Drainboard		Drain		Weight					
	Width		Front-to-Back		Depth		Length		Width	Height		Location	Size	Location		lbs.	kg		
	A	mm	B	mm	D	mm	L	mm	W	mm	H	mm	in.	DB	mm	in.	DL	mm	
14 3C 16 X 20 L 18	16	406	20	508	14	356	72.5	1842	25.8	656	43.8	1111	Left	18	457	13.1	333	284	129
14 3C 16 X 20 L 24	16	406	20	508	14	356	78.5	1994	25.8	656	43.8	1111	Left	24	610	13.1	333	291	132
14 3C 18 X 18 L 18	18	457	18	457	14	356	78.5	1994	23.8	605	43.8	1111	Left	18	457	12.1	308	295	134
14 3C 18 X 18 L 24	18	457	18	457	14	356	84.5	2146	23.8	605	43.8	1111	Left	24	610	12.1	308	302	137
14 3C 18 X 24 L 18	18	457	24	610	14	356	78.5	1994	29.8	757	43.8	1111	Left	18	457	15.1	384	326	148
14 3C 18 X 24 L 24	18	457	24	610	14	356	84.5	2146	29.8	757	43.8	1111	Left	24	610	15.1	384	334	151
14 3C 18 X 30 L 18	18	457	30	762	14	356	78.5	1994	35.8	910	43.8	1111	Left	18	457	18.1	460	336	152
14 3C 18 X 30 L 24	18	457	30	762	14	356	84.5	2146	35.8	910	43.8	1111	Left	24	610	18.1	460	344	156
14 3C 20 X 20 L 20	20	508	20	508	14	356	86.5	2197	25.8	656	43.8	1111	Left	20	508	13.1	333	343	156
14 3C 20 X 20 L 24	20	508	20	508	14	356	90.5	2299	25.8	656	43.8	1111	Left	24	610	13.1	333	348	158
14 3C 20 X 28 L 20	20	508	28	711	14	356	86.5	2197	33.8	859	43.8	1111	Left	20	508	17.1	435	365	165
14 3C 20 X 28 L 24	20	508	28	711	14	356	90.5	2299	33.8	859	43.8	1111	Left	24	610	17.1	435	370	168
14 3C 24 X 24 L 24	24	610	24	610	14	356	102.5	2604	29.8	757	43.8	1111	Left	24	610	15.1	384	403	183
14 3C 24 X 24 L 30	24	610	24	610	14	356	108.5	2756	29.8	757	43.8	1111	Left	30	762	15.1	384	413	187
14 3C 24 X 30 L 24	24	610	30	762	14	356	102.5	2604	35.8	910	43.8	1111	Left	24	610	18.1	460	430	195
14 3C 24 X 30 L 30	24	610	30	762	14	356	108.5	2756	35.8	910	43.8	1111	Left	30	762	18.1	460	439	199
14 3C 30 X 30 L 24	30	762	30	762	14	356	120.5	3061	35.8	910	43.8	1111	Left	24	610	18.1	460	496	225
14 3C 30 X 30 L 30	30	762	30	762	14	356	126.5	3213	35.8	910	43.8	1111	Left	30	762	18.1	460	504	229



Elkay SSP
 421 N. Freya St.
 Spokane, WA 99205
 Phone: 800-726-0553 Fax: 509-535-1493

Website: www.sspinc.net
 Email: sspsales@elkay.com
 ©2011 SSP INC.