

| | | | |
|--------------|-------|------|-------|
| Item No.: | _____ | Qty. | _____ |
| Model No.: | _____ | | |
| Project No.: | _____ | | |



Specifications

14" Standard Series Sink, with three compartments, both left and right drainboards, 9" backsplash, 16 gauge, 300 series stainless steel top and bowl, galvanized H-frame legs & adjustable feet, raised 1-1/2" rolled edge, includes 3-1/2" basket strainer, NSF approved

Features

- 16 Ga. stainless steel
- Welded construction for consistent metal gauge thickness throughout
- 14" (355.6 mm) deep tub with 3/4" (19.1 mm) coved radius tub corners
- All drainboards are die stamped for positive drainage
- 9" (228.6 mm) backsplash with tile ledge for easy installation
- Raised 1-1/2" (38.1 mm) diameter rolled edge
- 3-1/2" (88.9 mm) drain with basket strainers included
- 1-5/8" (41.3 mm) galvanized H-frame legs with 1" (25.4 mm) adjustable plastic feet
- 2" (50.8 mm) divider between each tub

14" Standard Series Sinks

14" Deep Standard Series Three Compartment Stainless Steel Sinks

- | | |
|--|--|
| <input type="checkbox"/> 14-3C16X20-2-18 | <input type="checkbox"/> 14-3C20X20-2-24 |
| <input type="checkbox"/> 14-3C16X20-2-24 | <input type="checkbox"/> 14-3C20X28-2-20 |
| <input type="checkbox"/> 14-3C18X18-2-18 | <input type="checkbox"/> 14-3C20X28-2-24 |
| <input type="checkbox"/> 14-3C18X18-2-24 | <input type="checkbox"/> 14-3C24X24-2-24 |
| <input type="checkbox"/> 14-3C18X24-2-18 | <input type="checkbox"/> 14-3C24X24-2-30 |
| <input type="checkbox"/> 14-3C18X24-2-24 | <input type="checkbox"/> 14-3C24X30-2-24 |
| <input type="checkbox"/> 14-3C18X30-2-18 | <input type="checkbox"/> 14-3C24X30-2-30 |
| <input type="checkbox"/> 14-3C18X30-2-24 | <input type="checkbox"/> 14-3C30X30-2-24 |
| <input type="checkbox"/> 14-3C20X20-2-20 | <input type="checkbox"/> 14-3C30X30-2-30 |

Options

- Overshelves and Pot Racks
- Skirts & End Splashes
- Faucets
- Tub & Drainboard Modifications
- Tub Accessories
- Disposer Provisions
- Rotary Drain Options
- Undershelves
- Stainless Steel Leg Sockets
- H-Frame Stainless Steel Legs
- Stainless Steel Feet Options (bullet & flange styles)

Materials

- Sink & Bowl: 16 Ga. 300 series stainless steel
- Top: Drainboards and backsplash are 16 gauge 300 series stainless steel.
- Legs: All sinks furnished with 1-5/8" (41.3 mm) diameter heavy gauge galvanized tubing with plated galvanized leg gussets and high impact corrosion resistant fully adjustable 1" (25.4 mm) feet.

Mechanical

- 1-1/8" (28.6mm) faucet holes on 8" (203mm) centers
- 3-1/2" (88.9mm) waste drain opening



AUTOQUOTES



In keeping with our policy of continuing product improvement, Elkay SSP reserves the right to change product specifications without notice.

This specification describes an Elkay SSP product with design, quality and functional benefits to the user. When making a comparison of other producers' offerings, be certain these features are not overlooked.

Elkay SSP

421 N. Freya St.
Spokane, WA 99205
Phone: 800-726-0553 Fax: 509-535-1493

Website: www.sspinc.net
Email: sspsales@elkay.com
©2011 SSP INC.



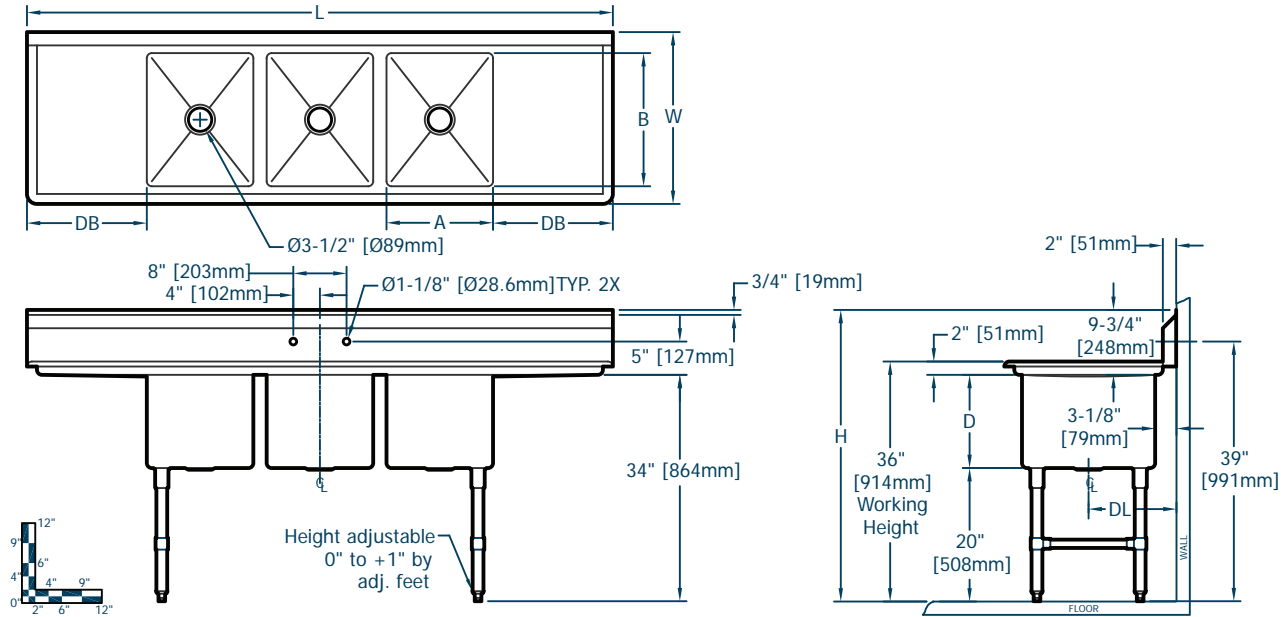
Item No.: _____ Qty. _____

Model No.: _____

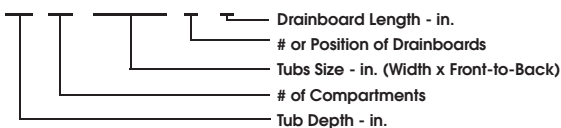
Project No.: _____

14" Standard Series Sinks

14" Deep Standard Series Three Compartment Stainless Steel Sinks



| 14" Standard Series Sinks | | | | | | | | | | | | | |
|---------------------------|-----------------|---------------|-------|--------------|-------|--------|------------|--------|----------|------|--------|--|--|
| Model Number | Bowl Dimensions | | | Overall Size | | | Drainboard | | Drain | | Weight | | |
| | Width | Front-to-Back | Depth | Length | Width | Height | Location | Size | Location | lbs. | kg | | |
| | in. A | in. B | in. D | in. L | in. W | in. H | | in. DB | in. DL | | | | |
| 14 3C 16 X 20 2 18 | 16 | 20 | 14 | 88 | 25.8 | 43.8 | L & R | 18 | 13.1 | 305 | 139 | | |
| 14 3C 16 X 20 2 24 | 16 | 20 | 14 | 100 | 25.8 | 43.8 | L & R | 24 | 13.1 | 319 | 145 | | |
| 14 3C 18 X 18 2 18 | 18 | 18 | 14 | 94 | 23.8 | 43.8 | L & R | 18 | 12.1 | 315 | 143 | | |
| 14 3C 18 X 18 2 24 | 18 | 18 | 14 | 106 | 23.8 | 43.8 | L & R | 24 | 12.1 | 328 | 149 | | |
| 14 3C 18 X 24 2 18 | 18 | 24 | 14 | 94 | 29.8 | 43.8 | L & R | 18 | 15.1 | 349 | 158 | | |
| 14 3C 18 X 24 2 24 | 18 | 24 | 14 | 106 | 29.8 | 43.8 | L & R | 24 | 15.1 | 364 | 165 | | |
| 14 3C 18 X 30 2 18 | 18 | 30 | 14 | 94 | 35.8 | 43.8 | L & R | 18 | 18.1 | 359 | 163 | | |
| 14 3C 18 X 30 2 24 | 18 | 30 | 14 | 106 | 35.8 | 43.8 | L & R | 24 | 18.1 | 375 | 170 | | |
| 14 3C 20 X 20 2 20 | 20 | 20 | 14 | 104 | 25.8 | 43.8 | L & R | 20 | 13.1 | 366 | 166 | | |
| 14 3C 20 X 20 2 24 | 20 | 20 | 14 | 112 | 25.8 | 43.8 | L & R | 24 | 13.1 | 375 | 170 | | |
| 14 3C 20 X 28 2 20 | 20 | 28 | 14 | 104 | 33.8 | 43.8 | L & R | 20 | 17.1 | 391 | 177 | | |
| 14 3C 20 X 28 2 24 | 20 | 28 | 14 | 112 | 33.8 | 43.8 | L & R | 24 | 17.1 | 402 | 182 | | |
| 14 3C 24 X 24 2 24 | 24 | 24 | 14 | 124 | 29.8 | 43.8 | L & R | 24 | 15.1 | 443 | 201 | | |
| 14 3C 24 X 24 2 30 | 24 | 24 | 14 | 136 | 29.8 | 43.8 | L & R | 30 | 15.1 | 463 | 210 | | |
| 14 3C 24 X 30 2 24 | 24 | 30 | 14 | 124 | 35.8 | 43.8 | L & R | 24 | 18.1 | 463 | 210 | | |
| 14 3C 24 X 30 2 30 | 24 | 30 | 14 | 136 | 35.8 | 43.8 | L & R | 30 | 18.1 | 479 | 217 | | |
| 14 3C 30 X 30 2 24 | 30 | 30 | 14 | 142 | 35.8 | 43.8 | L & R | 24 | 18.1 | 529 | 240 | | |
| 14 3C 30 X 30 2 30 | 30 | 30 | 14 | 154 | 35.8 | 43.8 | L & R | 30 | 18.1 | 545 | 247 | | |



Elkay SSP
 421 N. Freya St.
 Spokane, WA 99205
 Phone: 800-726-0553 Fax: 509-535-1493

Website: www.sspinc.net
 Email: sspsales@elkay.com
 ©2011 SSP INC.