

Item No.:	_____	Qty.	_____
Model No.:	_____		
Project No.:	_____		



12" Standard Series Sinks

12" Deep Standard Series One Compartment Stainless Steel Sinks

- | | |
|--|--|
| <input type="checkbox"/> 1C16X20-R-18 | <input type="checkbox"/> 1C24X30-R-30 |
| <input type="checkbox"/> 1C18X18-R-18 | <input type="checkbox"/> 1C30X30-R-30 |
| <input type="checkbox"/> 1C18X18-R-24 | |
| <input type="checkbox"/> 1C18X24-R-18 | |
| <input type="checkbox"/> 1C18X24-R-24 | |
| <input type="checkbox"/> 1C20X20-R-20 | |
| <input type="checkbox"/> 1C20X20-R-24 | |
| <input type="checkbox"/> 1C24X24-R-24 | |
| <input type="checkbox"/> 1C24X24-R-30 | |

Options

- Overshelves and Pot Racks
- Skirts & End Splashes
- Faucets
- Tub & Drainboard Modifications
- Tub Accessories
- Disposer Provisions
- Rotary Drain Options
- Undershelves
- Stainless Steel Leg Sockets
- H-Frame Stainless Steel Legs
- Stainless Steel Feet Options (bullet & flange styles)

Materials

- Sink & Bowl: 16 Ga. 300 series stainless steel
- Top: Drainboard and backsplash are 16 gauge 300 series stainless steel.
- Legs: All sinks furnished with 1-5/8" (41.3 mm) diameter heavy gauge galvanized tubing with plated galvanized leg gussets and high impact corrosion resistant fully adjustable 1" (25.4 mm) feet.

Mechanical

- 1-1/8" (28.6mm) faucet holes on 8" (203.2mm) centers
- 3-1/2" (88.9mm) waste drain opening

Specifications

12" Standard Series Sink, with one compartment, right drainboard, 10" backsplash, 16 gauge, 300 series stainless steel top and bowl, galvanized H-frame legs & adjustable feet, raised 1-1/2" rolled edge, includes 3-1/2" basket strainer, NSF approved

Features

- 16 Ga. stainless steel
- Welded construction for consistent metal gauge thickness throughout
- 12" (304.8 mm) deep tub with 3/4" (19.1 mm) coved radius tub corners
- Drainboard is die stamped for positive drainage
- 10" (254 mm) backsplash with tile ledge for easy installation
- Raised 1-1/2" (38.1 mm) diameter rolled edge
- 3-1/2" (88.9 mm) drain with basket strainer included
- 1-5/8" (41.3 mm) galvanized H-Frame legs with 1" (25.4 mm) adjustable plastic feet



AUTOQUOTES



In keeping with our policy of continuing product improvement, Elkay SSP reserves the right to change product specifications without notice.

This specification describes an Elkay SSP product with design, quality and functional benefits to the user. When making a comparison of other producers' offerings, be certain these features are not overlooked.

Elkay SSP

421 N. Freya St.
Spokane, WA 99205
Phone: 800-726-0553 Fax: 509-535-1493

Website: www.sspinc.net
Email: sspsales@elkay.com
©2011 SSP INC.



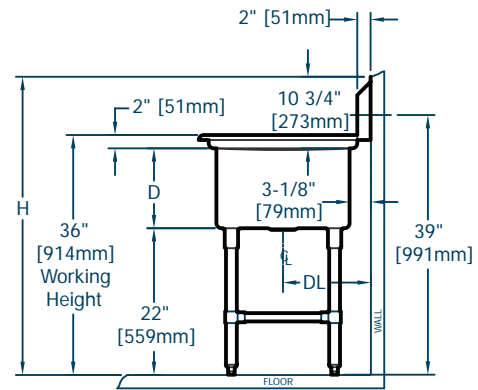
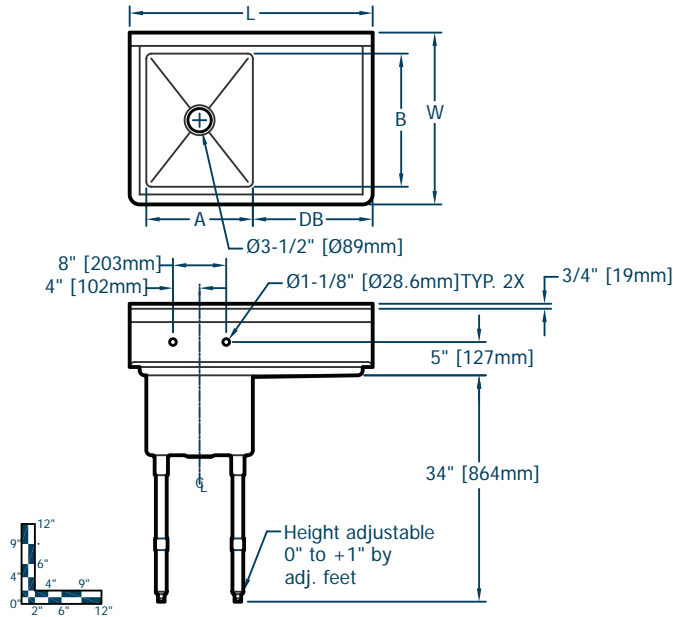
Item No.: _____ Qty. _____

Model No.: _____

Project No.: _____

12" Standard Series Sinks

12" Deep Standard Series One Compartment Stainless Steel Sinks



12" Standard Series Sinks																			
Model Number	Bowl Dimensions			Overall Size			Drainboard		Drain Location		Weight								
	Width	Front-to-Back	Depth	Length	Width	Height	Location	Size	Location	lbs.	kg								
	A in. mm	B in. mm	D in. mm	L in. mm	W in. mm	H in. mm		DB in. mm	DL in. mm										
1C 16 X 20 R 18	16	406	20	508	12	305	36.5	927	25.8	656	44.8	1137	Right	18	457	13.1	333	104	47
1C 18 X 18 R 18	18	457	18	457	12	305	38.5	978	23.8	605	44.8	1137	Right	18	457	12.1	308	107	48
1C 18 X 18 R 24	18	457	18	457	12	305	44.5	1130	23.8	605	44.8	1137	Right	24	610	12.1	308	114	52
1C 18 X 24 R 18	18	457	24	610	12	305	38.5	978	29.8	757	44.8	1137	Right	18	457	15.1	384	116	53
1C 18 X 24 R 24	18	457	24	610	12	305	44.5	1130	29.8	757	44.8	1137	Right	24	610	15.1	384	124	56
1C 20 X 20 R 20	20	508	20	508	12	305	42.5	1080	25.8	656	44.8	1137	Right	20	508	13.1	333	121	55
1C 20 X 20 R 24	20	508	20	508	12	305	46.5	1181	25.8	656	44.8	1137	Right	24	610	13.1	333	126	57
1C 24 X 24 R 24	24	610	24	610	12	305	50.5	1283	29.8	757	44.8	1137	Right	24	610	15.1	384	140	63
1C 24 X 24 R 30	24	610	24	610	12	305	56.5	1435	29.8	757	44.8	1137	Right	30	762	15.1	384	160	72
1C 24 X 30 R 30	24	610	30	762	12	305	56.5	1435	35.8	910	44.8	1137	Right	30	762	18.1	460	173	79
1C 30 X 30 R 30	30	762	30	762	12	305	62.5	1588	35.8	910	44.8	1137	Right	30	762	18.1	460	191	86

