

Item No.:	_____	Qty. _____
Model No.:	_____	
Project No.:	_____	



12" Standard Series Sinks

12" Deep Standard Series One Compartment Stainless Steel Sinks

- 1C18X18-L-18X**
- 1C18X24-L-18X**
- 1C18X24-L-24X**
- 1C24X24-L-24X**

Options

- Faucets
- Tub Accessories
- Undershelves
- Rotary Drain Options
- H-Frame Stainless Steel Legs
- Stainless Steel Feet Options (bullet & flange styles)

Specifications

12" Standard Series Sink, with one compartment, left drainboard, 10" backsplash, 16 gauge, 300 series stainless steel top and bowl, galvanized legs & adjustable feet, raised 1-1/2" rolled edge, includes 3-1/2" basket strainer, NSF approved

Features

- 16 Ga. stainless steel
- Welded construction for consistent metal gauge thickness throughout
- 12" (304.8 mm) deep tub with 3/4" (19.1 mm) coved radius tub corners
- Drainboard is die stamped for positive drainage
- 10" (254 mm) backsplash with tile ledge for easy installation
- Raised 1-1/2" (38.1 mm) diameter rolled edge
- 3-1/2" (88.9 mm) drain with basket strainer included
- 1-5/8" (41.3 mm) galvanized legs with 1" (25.4 mm) adjustable plastic feet

Materials

- Sink & Bowl: 16 Ga. 300 series stainless steel
- Top: Drainboard and backsplash are 16 gauge 300 series stainless steel.
- Legs: All sinks furnished with 1-5/8" (41.3 mm) diameter heavy gauge galvanized tubing with plated galvanized leg gussets and high impact corrosion resistant fully adjustable 1" (25.4 mm) feet.

Mechanical

- 1-1/8" (28.6mm) faucet holes on 8" (203.2mm) centers
- 3-1/2" (88.9mm) waste drain opening

Flyer Product



AUTOQUOTES



In keeping with our policy of continuing product improvement, Elkay SSP reserves the right to change product specifications without notice.

This specification describes an Elkay SSP product with design, quality and functional benefits to the user. When making a comparison of other producers' offerings, be certain these features are not overlooked.

Elkay SSP
 421 N. Freya St.
 Spokane, WA 99205
 Phone: 800-726-0553 Fax: 509-535-1493

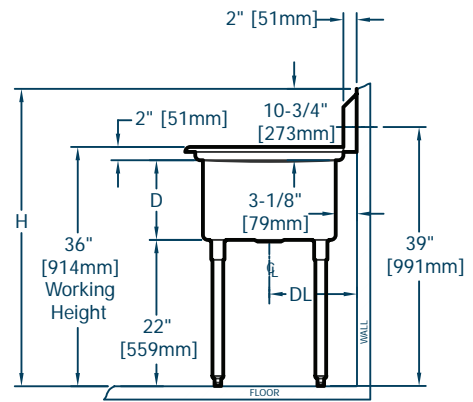
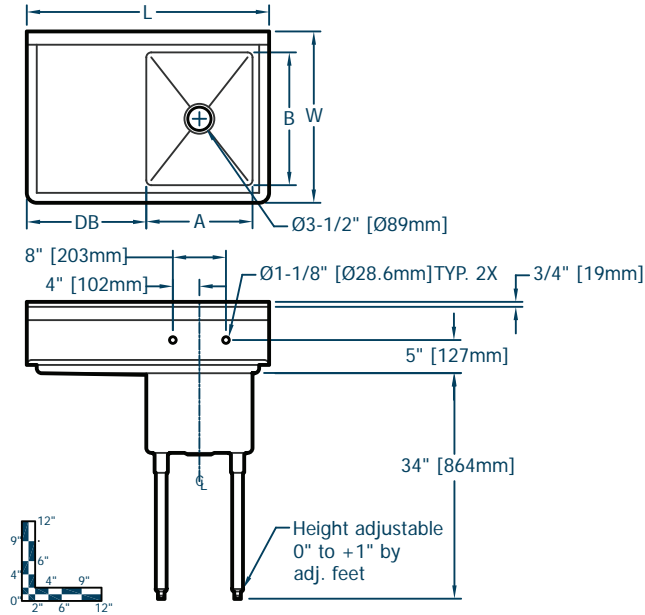
Website: www.sspinc.net
 Email: sspsales@elkay.com
 ©2011 SSP INC.



Item No.: _____ Qty. _____
 Model No.: _____
 Project No.: _____

12" Standard Series Sinks

12" Deep Standard Series One Compartment Stainless Steel Sinks



12" Standard Series Sinks												
Model Number	Bowl Dimensions			Overall Size			Drainboard		Drain Location		Weight	
	Width A	Front-to-Back B	Depth D	Length L	Width W	Height H	Location	Size DB	Location DL	lbs.	kg	
1C 18 X 18 L 18 X	18	18	12	38.5	23.8	44.8	Left	18	12	107	48	
1C 18 X 24 L 18 X	18	24	12	38.5	29.8	44.8	Left	18	15	116	53	
1C 18 X 24 L 24 X	18	24	12	44.5	29.8	44.8	Left	24	15	124	56	
1C 24 X 24 L 24 X	24	24	12	50.5	29.8	44.8	Left	24	15	140	63	

