

Item No.:	_____	Qty.	_____
Model No.:	_____		
Project No.:	_____		



Specifications

12" Standard Series Sink, with one compartment, both left and right drainboards, 10" backsplash, 16 gauge, 300 series stainless steel top and bowl, galvanized H-frame legs & adjustable feet, raised 1-1/2" rolled edge, includes 3-1/2" basket strainer, NSF approved

Features

- 16 Ga. stainless steel
- Welded construction for consistent metal gauge thickness throughout
- 12" (304.8 mm) deep tub with 3/4" (19.1 mm) coved radius tub corners
- All drainboards are die stamped for positive drainage
- 10" (254 mm) backsplash with tile ledge for easy installation
- Raised 1-1/2" (38.1 mm) diameter rolled edge
- 3-1/2" (88.9 mm) drain with basket strainer included
- 1-5/8" (41.3 mm) galvanized H-Frame legs with 1" (25.4 mm) adjustable plastic feet

12" Standard Series Sinks

12" Deep Standard Series One Compartment Stainless Steel Sinks

- | | |
|--|--|
| <input type="checkbox"/> 1C16X20-2-18 | <input type="checkbox"/> 1C24X30-2-30 |
| <input type="checkbox"/> 1C18X18-2-18 | <input type="checkbox"/> 1C30X30-2-30 |
| <input type="checkbox"/> 1C18X18-2-24 | |
| <input type="checkbox"/> 1C18X24-2-18 | |
| <input type="checkbox"/> 1C18X24-2-24 | |
| <input type="checkbox"/> 1C20X20-2-20 | |
| <input type="checkbox"/> 1C20X20-2-24 | |
| <input type="checkbox"/> 1C24X24-2-24 | |
| <input type="checkbox"/> 1C24X24-2-30 | |

Options

- Overshelves and Pot Racks
- Skirts & End Splashes
- Faucets
- Tub & Drainboard Modifications
- Tub Accessories
- Disposer Provisions
- Rotary Drain Options
- Undershelves
- Stainless Steel Leg Sockets
- H-Frame Stainless Steel Legs
- Stainless Steel Feet Options (bullet & flange styles)

Materials

- Sink & Bowl: 16 Ga. 300 series stainless steel
- Top: Drainboards and backsplash are 16 gauge 300 series stainless steel.
- Legs: All sinks furnished with 1-5/8" (41.3 mm) diameter heavy gauge galvanized tubing with plated galvanized leg gussets and high impact corrosion resistant fully adjustable 1" (25.4 mm) feet.

Mechanical

- 1-1/8" (28.6mm) faucet holes on 8" (203mm) centers
- 3-1/2" (88.9mm) waste drain opening



AUTOQUOTES



In keeping with our policy of continuing product improvement, Elkay SSP reserves the right to change product specifications without notice.

This specification describes an Elkay SSP product with design, quality and functional benefits to the user. When making a comparison of other producers' offerings, be certain these features are not overlooked.

Elkay SSP

421 N. Freya St.
Spokane, WA 99205
Phone: 800-726-0553 Fax: 509-535-1493

Website: www.sspinc.net
Email: sspsales@elkay.com
©2011 SSP INC.



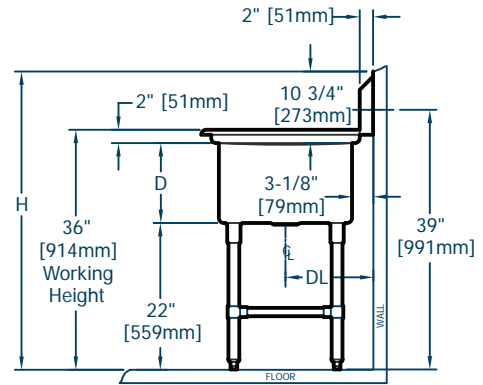
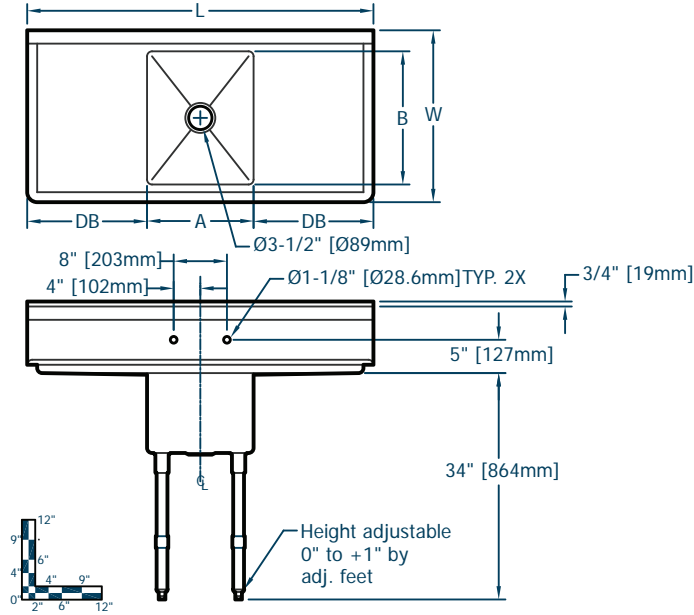
Item No.: _____ Qty. _____

Model No.: _____

Project No.: _____

12" Standard Series Sinks

12" Deep Standard Series One Compartment Stainless Steel Sinks



12" Standard Series Sinks

Model Number	Bowl Dimensions			Overall Size			Drainboard		Drain		Weight	
	Width	Front-to-Back	Depth	Length	Width	Height	Location	Size	Location	lbs.	kg	
	A in. mm	B in. mm	D in. mm	L in. mm	W in. mm	H in. mm		DB in. mm	DL in. mm			
1C 16 X 20 2 18	16 406	20 508	12 305	52 1321	25.8 656	44.8 1137	L & R	18 457	13.1 333	124	56	
1C 18 X 18 2 18	18 457	18 457	12 305	54 1372	23.8 605	44.8 1137	L & R	18 457	12.1 308	126	57	
1C 18 X 18 2 24	18 457	18 457	12 305	66 1676	23.8 605	44.8 1137	L & R	24 610	12.1 308	140	64	
1C 18 X 24 2 18	18 457	24 610	12 305	54 1372	29.8 757	44.8 1137	L & R	18 457	15.1 384	137	62	
1C 18 X 24 2 24	18 457	24 610	12 305	66 1676	29.8 757	44.8 1137	L & R	24 610	15.1 384	153	69	
1C 20 X 20 2 20	20 508	20 508	12 305	60 1524	25.8 656	44.8 1137	L & R	20 508	13.1 333	144	65	
1C 20 X 20 2 24	20 508	20 508	12 305	68 1727	25.8 656	44.8 1137	L & R	24 610	13.1 333	154	70	
1C 24 X 24 2 24	24 610	24 610	12 305	72 1829	29.8 757	44.8 1137	L & R	24 610	15.1 384	169	77	
1C 24 X 24 2 30	24 610	24 610	12 305	84 2134	29.8 757	44.8 1137	L & R	30 762	15.1 384	208	95	
1C 24 X 30 2 30	24 610	30 762	12 305	84 2134	35.8 910	44.8 1137	L & R	30 762	18.1 460	226	103	
1C 30 X 30 2 30	30 762	30 762	12 305	90 2286	35.8 910	44.8 1137	L & R	30 762	18.1 460	244	110	

