

Item No.:	_____	Qty. _____
Model No.:	_____	
Project No.:	_____	



Specifications

12" Standard Series Sink, with two compartments, both left and right drainboards, 10" backsplash, 16 gauge, 300 series stainless steel top and bowl, galvanized legs & adjustable feet, raised 1-1/2" rolled edge, includes 3-1/2" basket strainer, NSF approved

Features

- 16 Ga. stainless steel
- Welded construction for consistent metal gauge thickness throughout
- 12" (304.8 mm) deep tub with 3/4" (19.1 mm) covered radius tub corners
- All drainboards are die stamped for positive drainage
- 10" (254 mm) backsplash with tile ledge for easy installation
- Raised 1-1/2" (38.1 mm) diameter rolled edge
- 3-1/2" (88.9 mm) drain with basket strainers included
- 1-5/8" (41.3 mm) galvanized legs with 1" (25.4 mm) adjustable plastic feet
- 2" (50.8 mm) divider between each tub

Flyer Product

In keeping with our policy of continuing product improvement, Elkay SSP reserves the right to change product specifications without notice.

12" Standard Series Sinks

12" Deep Standard Series Two Compartment Stainless Steel Sinks

- | | |
|---|---|
| <input type="checkbox"/> 2C18X18-2-18X | <input type="checkbox"/> 2C18X24-2-24X |
| <input type="checkbox"/> 2C18X18-2-24X | <input type="checkbox"/> 2C24X24-2-24X |
| <input type="checkbox"/> 2C18X24-2-18X | |

Options

- Faucets
- Tub Accessories
- Undershelves
- Rotary Drain Options
- H-Frame Stainless Steel Legs
- Stainless Steel Feet Options (bullet & flange styles)

Materials

- Sink & Bowl: 16 Ga. 300 series stainless steel
- Top: Drainboards and backsplash are 16 gauge 300 series stainless steel.
- Legs: All sinks furnished with 1-5/8" (41.3 mm) diameter heavy gauge galvanized tubing with plated galvanized leg gussets and high impact corrosion resistant fully adjustable 1" (25.4 mm) feet.

Mechanical

- 1-1/8" (28.6mm) faucet holes on 8" (203mm) centers
- 3-1/2" (88.9mm) waste drain opening



AUTOQUOTES



This specification describes an Elkay SSP product with design, quality and functional benefits to the user. When making a comparison of other producers' offerings, be certain these features are not overlooked.



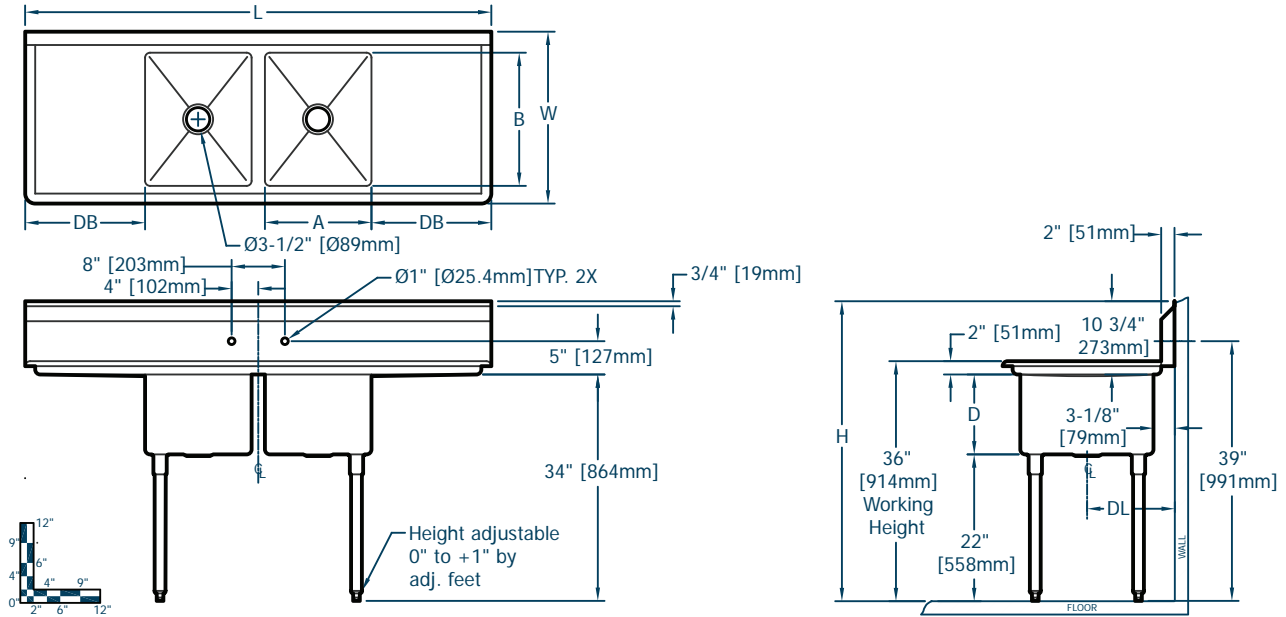
Item No.: _____ Qty. _____

Model No.: _____

Project No.: _____

12" Standard Series Sinks

12" Deep Standard Series Two Compartment Stainless Steel Sinks



12" Standard Series Sinks																			
Model Number	Bowl Dimensions						Overall Size				Drainboard		Drain Location		Weight				
	Width		Front-to-Back		Depth		Length		Width		Height		Location	Size	Location	DL	lbs.	kg	
	A	B	D	L	W	H	DB	DL	in.	mm	in.	mm	in.	mm	in.	mm			
2C 18 X 18 2 18 X	18	457	18	457	12	305	74	1880	23.8	605	44.8	1137	L & R	18	457	12	305	177	80
2C 18 X 18 2 24 X	18	457	18	457	12	305	86	2184	23.8	605	44.8	1137	L & R	24	610	12	305	193	87
2C 18 X 24 2 18 X	18	457	24	610	12	305	74	1880	29.8	757	44.8	1137	L & R	18	457	15	381	195	89
2C 18 X 24 2 24 X	18	457	24	610	12	305	86	2184	29.8	757	44.8	1137	L & R	24	610	15	381	174	79
2C 24 X 24 2 24 X	24	610	24	610	12	305	98	2489	29.8	757	44.8	1137	L & R	24	610	15	381	241	109

