

Item No.:	_____	Qty.	_____
Model No.:	_____		
Project No.:	_____		



Specifications

12" Standard Series Sink, with two compartments, right drainboard, 10" backsplash, 16 gauge, 300 series stainless steel top and bowl, galvanized H-frame legs & adjustable feet, raised 1-1/2" rolled edge, includes 3-1/2" basket strainer, NSF approved

Features

- 16 Ga. stainless steel
- Welded construction for consistent metal gauge thickness throughout
- 12" (304.8 mm) deep tub with 3/4" (19.1 mm) coved radius tub corners
- Drainboard is die stamped for positive drainage
- 10" (254 mm) backsplash with tile ledge for easy installation
- Raised 1-1/2" (38.1 mm) diameter rolled edge
- 3-1/2" (88.9 mm) drain with basket strainers included
- 1-5/8" (41.3 mm) galvanized H-Frame legs with 1" (25.4 mm) adjustable plastic feet
- 2" (50.8 mm) divider between each tub

In keeping with our policy of continuing product improvement, Elkay SSP reserves the right to change product specifications without notice.

12" Standard Series Sinks

12" Deep Standard Series Two Compartment Stainless Steel Sinks

- | | |
|--|--|
| <input type="checkbox"/> 2C16X20-R-18 | <input type="checkbox"/> 2C24X30-R-30 |
| <input type="checkbox"/> 2C18X18-R-18 | <input type="checkbox"/> 2C30X30-R-30 |
| <input type="checkbox"/> 2C18X18-R-24 | |
| <input type="checkbox"/> 2C18X24-R-18 | |
| <input type="checkbox"/> 2C18X24-R-24 | |
| <input type="checkbox"/> 2C20X20-R-20 | |
| <input type="checkbox"/> 2C20X20-R-24 | |
| <input type="checkbox"/> 2C24X24-R-24 | |
| <input type="checkbox"/> 2C24X24-R-30 | |

Options

- Overshelves and Pot Racks
- Skirts & End Splashes
- Faucets
- Tub & Drainboard Modifications
- Tub Accessories
- Disposer Provisions
- Rotary Drain Options
- Undershelves
- Stainless Steel Leg Sockets
- H-Frame Stainless Steel Legs
- Stainless Steel Feet Options (bullet & flange styles)

Materials

- Sink & Bowl: 16 Ga. 300 series stainless steel
- Top: Drainboard and backsplash are 16 gauge 300 series stainless steel.
- Legs: All sinks furnished with 1-5/8" (41.3 mm) diameter heavy gauge galvanized tubing with plated galvanized leg gussets and high impact corrosion resistant fully adjustable 1" (25.4 mm) feet.

Mechanical

- 1-1/8" (28.6mm) faucet holes on 8" (203.2mm) centers
- 3-1/2" (88.9mm) waste drain opening



AUTOQUOTES



This specification describes an Elkay SSP product with design, quality and functional benefits to the user. When making a comparison of other producers' offerings, be certain these features are not overlooked.

Elkay SSP

421 N. Freya St.
Spokane, WA 99205
Phone: 800-726-0553 Fax: 509-535-1493

Website: www.sspinc.net
Email: sspsales@elkay.com
©2011 SSP INC.



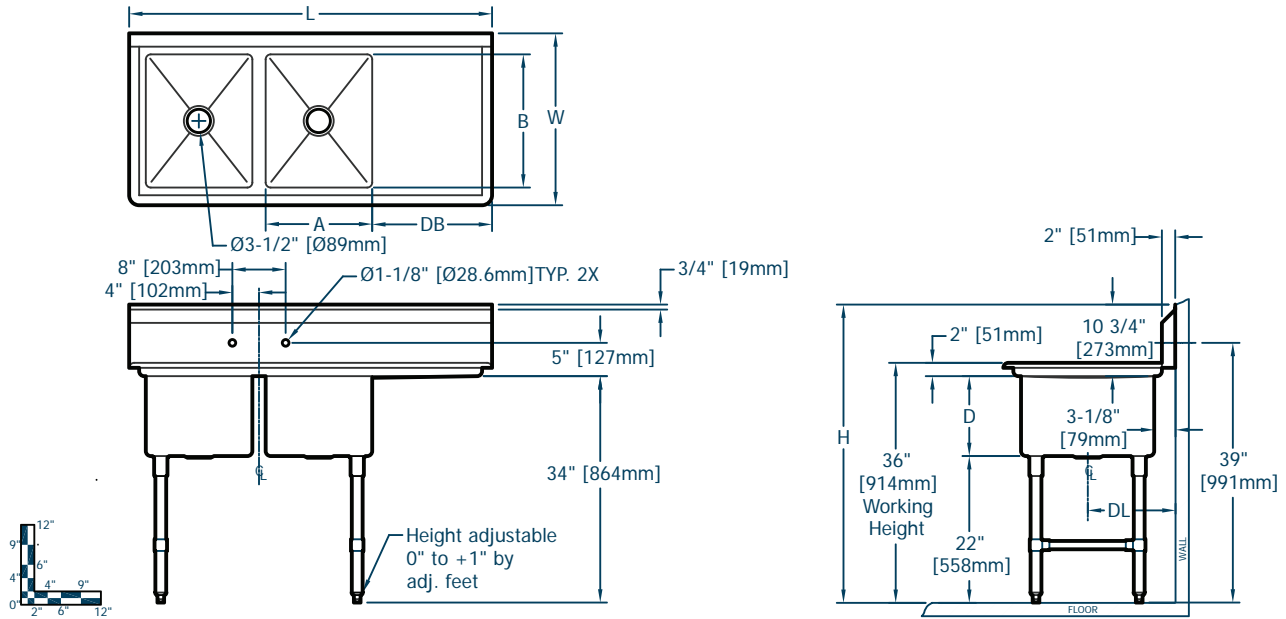
Item No.: _____ Qty. _____

Model No.: _____

Project No.: _____

12" Standard Series Sinks

12" Deep Standard Series Two Compartment Stainless Steel Sinks



12" Standard Series Sinks																			
Model Number	Bowl Dimensions			Overall Size			Drainboard		Drain Location		Weight								
	Width	Front-to-Back	Depth	Length	Width	Height	Location	Size	Location	lbs.	kg								
	A in. mm	B in. mm	D in. mm	L in. mm	W in. mm	H in. mm		DB in. mm	DL in. mm										
2C 16 X 20 R 18	16	406	20	508	12	305	54.5	1384	25.8	656	44.8	1137	Right	18	457	13.1	333	152	69
2C 18 X 18 R 18	18	457	18	457	12	305	58.5	1486	23.8	605	44.8	1137	Right	18	457	12.1	308	158	71
2C 18 X 18 R 24	18	457	18	457	12	305	64.5	1638	23.8	605	44.8	1137	Right	24	610	12.1	308	165	75
2C 18 X 24 R 18	18	457	24	610	12	305	58.5	1486	29.8	757	44.8	1137	Right	18	457	15.1	384	195	89
2C 18 X 24 R 24	18	457	24	610	12	305	64.5	1638	29.8	757	44.8	1137	Right	24	610	15.1	384	212	96
2C 18 X 30 R 18	18	457	30	762	12	305	58.5	1486	35.8	910	44.8	1137	Right	18	457	18.1	460	180	82
2C 18 X 30 R 24	18	457	30	762	12	305	64.5	1638	35.8	910	44.8	1137	Right	24	610	18.1	460	189	86
2C 20 X 20 R 20	20	508	20	508	12	305	64.5	1638	25.8	656	44.8	1137	Right	20	508	13.1	333	183	83
2C 20 X 20 R 24	20	508	20	508	12	305	68.5	1740	25.8	656	44.8	1137	Right	24	610	13.1	333	188	85
2C 20 X 28 R 20	20	508	28	711	12	305	64.5	1638	33.8	859	44.8	1137	Right	20	508	17.1	435	197	89
2C 24 X 24 R 24	24	610	24	610	12	305	76.5	1943	29.8	757	44.8	1137	Right	24	610	15.1	384	211	96
2C 24 X 24 R 30	24	610	24	610	12	305	82.5	2096	29.8	757	44.8	1137	Right	30	762	15.1	384	231	105
2C 24 X 30 R 30	24	610	30	762	12	305	82.5	2096	35.8	910	44.8	1137	Right	30	762	18.1	460	253	115
2C 30 X 30 R 30	30	762	30	762	12	305	94.5	2400	35.8	910	44.8	1137	Right	30	762	18.1	460	264	120

