



**STANDARD
TWO COMPARTMENT SINKS
WITH TWO DRAINBOARDS**



FEATURES:

TOP & BOWLS are constructed of 16 gauge 304 stainless steel with an 1-1/2" raised-rolled edge, 2" tall, on front and both ends. Bowl is 12" deep. 2" typical separation between tubs.

BACKSPLASH is 10" tall, from the deck, with a 2" return at 45° and 3/4" clip-up to the wall. Includes (2) 1" holes punched on 8" centers.

LEGS are 1-5/8" diameter galvanized steel with stainless steel leg sockets and adjustable plastic feet.

INCLUDES (2) 3-1/2" basket strainers.

All visible welds are ground and polished to no. 4 finish.

SPEC-LINE SERIES:

TOP & BOWLS: 14 gauge 304 stainless steel.

LEGS: 1-5/8" stainless steel legs and bracing with adjustable stainless steel feet.

BACKSPLASH is 10" tall, from the deck, with a 2" return at 45° and 3/4" clip-up to the wall. Includes (2) 1" holes punched on 8" centers.

BOWL DEPTH: 14".

WEIGHT: Add 26% to weight shown.

To order Spec-Line series, write SL at the start of the stock number.

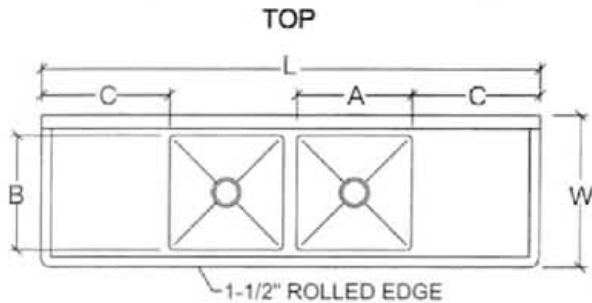
STANDARD SIZES (in.)

MODEL	BOWL	DRAINBOARDS	LENGTH	WIDTH	HEIGHT
2C16X20-2-18	16X20	18	70	25-1/2	44-3/4
2C17X17-2-18	17X17	18	72	22-1/2	
2C17X17-2-24	17X17	24	84	22-1/2	
2C17X23-2-18	17X23	18	72	28-1/2	
2C17X23-2-24	17X23	24	84	28-1/2	
2C20X20-2-20	20X20	20	82	25-1/2	
2C20X20-2-24	20X20	24	90	25-1/2	
2C23X23-2-24	23X23	24	96	28-1/2	
2C23X23-2-30	23X23	30	108	28-1/2	
2C20X28-2-20	20X28	20	82	33-1/2	
2C17X29-2-18	17X29	18	72	34-1/2	
2C17X29-2-24	17X29	24	84	34-1/2	
2C23X29-2-30	23X29	30	108	34-1/2	
2C29X29-2-30	29X29	30	120	34-1/2	

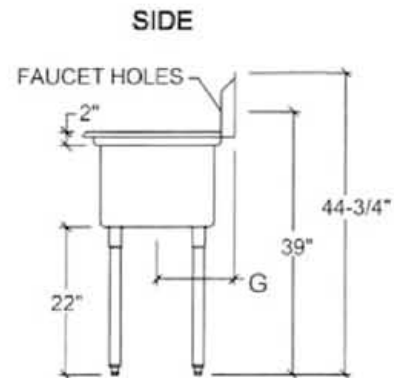
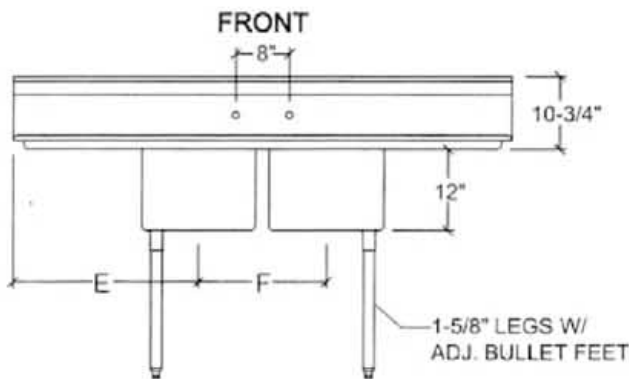
CUSTOM SIZES AVAILABLE!

SPECIFICATIONS

DATE: _____ MODEL NO: _____
 PROJECT: _____



STANDARD
 TWO COMPARTMENT SINKS
 WITH TWO DRAINBOARDS



DIMENSIONS (in.)

MODEL	A	B	C	E	F	G	L	W	APPROX. WT. (lbs.)
2C16X20-2-18	16	20	18	26	18	13	70	25-1/2	125
2C17X17-2-18	17	17	18	26-1/2	19	11-1/2	72	22-1/2	125
2C17X17-2-24	17	17	24	32-1/2	19	11-1/2	84	22-1/2	145
2C17X23-2-18	17	23	18	26-1/2	19	14-1/2	72	28-1/2	155
2C17X23-2-24	17	23	24	32-1/2	19	14-1/2	84	28-1/2	170
2C20X20-2-20	20	20	20	28	22	13	82	25-1/2	180
2C20X20-2-24	20	20	24	34	22	13	90	25-1/2	183
2C23X23-2-24	23	23	24	35-1/2	25	14-1/2	96	28-1/2	185
2C23X23-2-30	23	23	30	41-1/2	25	14-1/2	108	28-1/2	200
2C20X28-2-20	20	28	20	30	22	17	82	33-1/2	145
2C17X29-2-18	17	29	18	26-1/2	19	17-1/2	72	34-1/2	130
2C17X29-2-24	17	29	24	32-1/2	19	17-1/2	84	34-1/2	145
2C23X29-2-30	23	29	30	41-1/2	25	17-1/2	108	34-1/2	215
2C29X29-2-30	29	29	30	44-1/2	31	17-1/2	120	34-1/2	225

(Specifications Subject To Change)



To order Spec-Line series, write SL at the start of the stock number.

North 421 Freya, Spokane, WA 99202 509-533-0808 / 800-726-0553 Fax: 509-535-1493 Website: <http://www.sspinc.net> E-mail: ssp@sspinc.net