

Item No.:	_____	Qty.	_____
Model No.:	_____		
Project No.:	_____		



Specifications

12" Standard Series Sink, with two compartments, both left and right drainboards, 10" backsplash, 16 gauge, 300 series stainless steel top and bowl, galvanized H-frame legs & adjustable feet, raised 1-1/2" rolled edge, includes 3-1/2" basket strainer, NSF approved

Features

- 16 Ga. stainless steel
- Welded construction for consistent metal gauge thickness throughout
- 12" (304.8 mm) deep tub with 3/4" (19.1 mm) coved radius tub corners
- All drainboards are die stamped for positive drainage
- 10" (254 mm) backsplash with tile ledge for easy installation
- Raised 1-1/2" (38.1 mm) diameter rolled edge
- 3-1/2" (88.9 mm) drain with basket strainers included
- 1-5/8" (41.3 mm) galvanized H-Frame legs with 1" (25.4 mm) adjustable plastic feet
- 2" (50.8 mm) divider between each tub

In keeping with our policy of continuing product improvement, Elkay SSP reserves the right to change product specifications without notice.

12" Standard Series Sinks

12" Deep Standard Series Two Compartment Stainless Steel Sinks

- | | |
|--|--|
| <input type="checkbox"/> 2C16X20-2-18 | <input type="checkbox"/> 2C24X30-2-30 |
| <input type="checkbox"/> 2C18X18-2-18 | <input type="checkbox"/> 2C30X30-2-30 |
| <input type="checkbox"/> 2C18X18-2-24 | |
| <input type="checkbox"/> 2C18X24-2-18 | |
| <input type="checkbox"/> 2C18X24-2-24 | |
| <input type="checkbox"/> 2C20X20-2-20 | |
| <input type="checkbox"/> 2C20X20-2-24 | |
| <input type="checkbox"/> 2C24X24-2-24 | |
| <input type="checkbox"/> 2C24X24-2-30 | |

Options

- Overshelves and Pot Racks
- Skirts & End Splashes
- Faucets
- Tub & Drainboard Modifications
- Tub Accessories
- Disposer Provisions
- Rotary Drain Options
- Undershelves
- Stainless Steel Leg Sockets
- H-Frame Stainless Steel Legs
- Stainless Steel Feet Options (bullet & flange styles)

Materials

- Sink & Bowl: 16 Ga. 300 series stainless steel
- Top: Drainboards and backsplash are 16 gauge 300 series stainless steel.
- Legs: All sinks furnished with 1-5/8" (41.3 mm) diameter heavy gauge galvanized tubing with plated galvanized leg gussets and high impact corrosion resistant fully adjustable 1" (25.4 mm) feet.

Mechanical

- 1-1/8" (38mm) faucet holes on 8" (203mm) centers
- 3-1/2" (89mm) waste drain opening



AUTOQUOTES



This specification describes an Elkay SSP product with design, quality and functional benefits to the user. When making a comparison of other producers' offerings, be certain these features are not overlooked.

Elkay SSP

421 N. Freya St.
Spokane, WA 99205
Phone: 800-726-0553 Fax: 509-535-1493

Website: www.sspinc.net
Email: sspsales@elkay.com
©2011 SSP INC.



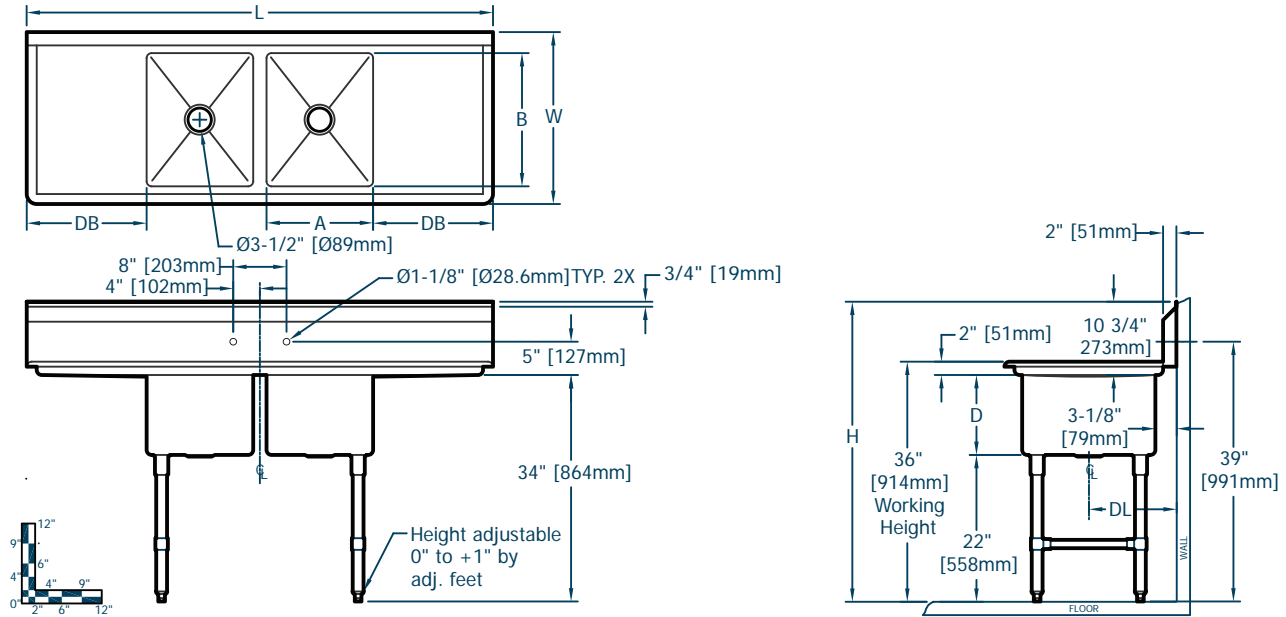
Item No.: _____ Qty. _____

Model No.: _____

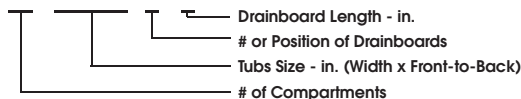
Project No.: _____

12" Standard Series Sinks

12" Deep Standard Series Two Compartment Stainless Steel Sinks



12" Standard Series Sinks																			
Model Number	Bowl Dimensions			Overall Size			Drainboard		Drain Location		Weight								
	Width	Front-to-Back	Depth	Length	Width	Height	Location	Size	Location										
	in. A	mm B	in. D	in. L	in. W	in. H		in. DB	in. DL	lbs.	kg								
2C 16 X 20 2 18	16	406	20	508	12	305	70	1778	25.8	656	44.8	1137	L & R	18	457	13.1	333	173	78
2C 18 X 18 2 18	18	457	18	457	12	305	74	1880	23.8	605	44.8	1137	L & R	18	457	12.1	308	177	80
2C 18 X 18 2 24	18	457	18	457	12	305	86	2184	23.8	605	44.8	1137	L & R	24	610	12.1	308	193	87
2C 18 X 24 2 18	18	457	24	610	12	305	74	1880	29.8	757	44.8	1137	L & R	18	457	15.1	384	195	89
2C 18 X 24 2 24	18	457	24	610	12	305	86	2184	29.8	757	44.8	1137	L & R	24	610	15.1	384	174	79
2C 18 X 30 2 18	18	457	30	762	12	305	74	1880	35.8	910	44.8	1137	L & R	18	457	18.1	460	203	92
2C 18 X 30 2 24	18	457	30	762	12	305	86	2184	35.8	910	44.8	1137	L & R	24	610	18.1	460	221	100
2C 20 X 20 2 20	20	508	20	508	12	305	82	2083	25.8	656	44.8	1137	L & R	20	508	13.1	333	206	93
2C 20 X 20 2 24	20	508	20	508	12	305	90	2286	25.8	656	44.8	1137	L & R	24	610	13.1	333	217	98
2C 20 X 28 2 20	20	508	28	711	12	305	82	2083	33.8	859	44.8	1137	L & R	20	508	17.1	435	222	101
2C 24 X 24 2 24	24	610	24	610	12	305	98	2489	29.8	757	44.8	1137	L & R	24	610	15.1	384	241	109
2C 24 X 24 2 30	24	610	24	610	12	305	110	2794	29.8	757	44.8	1137	L & R	30	762	15.1	384	282	128
2C 24 X 30 2 30	24	610	30	762	12	305	110	2794	35.8	910	44.8	1137	L & R	30	762	18.1	460	308	139
2C 30 X 30 2 30	30	762	30	762	12	305	122	3099	35.8	910	44.8	1137	L & R	30	762	18.1	460	340	154



Elkay SSP
 421 N. Freya St.
 Spokane, WA 99205
 Phone: 800-726-0553 Fax: 509-535-1493

Website: www.sspinc.net
 Email: sspsales@elkay.com
 ©2011 SSP INC.