

Item No.:	_____	Qty. _____
Model No.:	_____	
Project No.:	_____	



Specifications

12" Standard Series Sink, with two compartments, no drainboards, 10" backsplash, 16 gauge, 300 series stainless steel top and bowl, galvanized H-frame legs & adjustable feet, raised 1-1/2" rolled edge, includes 3-1/2" basket strainer, NSF approved

Features

- 16 Ga. stainless steel
- Welded construction for consistent metal gauge thickness throughout
- 12" (304.8 mm) deep tub with 3/4" (19.1 mm) covered radius tub corners
- 10" (254 mm) backsplash with tile ledge for easy installation
- Raised 1-1/2" (38.1 mm) diameter rolled edge
- 3-1/2" (88.9 mm) drain with basket strainers included
- 1-5/8" (41.3 mm) galvanized H-frame legs with 1" (25.4 mm) adjustable plastic feet
- 2" (50.8 mm) divider between each tub

12" Standard Series Sinks

12" Deep Standard Series Two Compartment Stainless Steel Sinks

- 2C16X20-0
- 2C18X18-0
- 2C18X24-0
- 2C20X20-0
- 2C24X24-0
- 2C24X30-0
- 2C30X30-0

Options

- Overshelves and Pot Racks
- Skirts & End Splashes
- Faucets
- Tub & Drainboard Modifications
- Tub Accessories
- Disposer Provisions
- Rotary Drain Options
- Undershelves
- Stainless Steel Leg Sockets
- H-Frame Stainless Steel Legs
- Stainless Steel Feet Options (bullet & flange styles)

Materials

- Sink & Bowl: 16 Ga. 300 series stainless steel
- Top: Backsplash is 16 gauge 300 series stainless steel.
- Legs: All sinks furnished with 1-5/8" (41.3 mm) diameter heavy gauge galvanized tubing with plated galvanized leg gussets and high impact corrosion resistant fully adjustable 1" (25.4 mm) feet.

Mechanical

- 1-1/8" (28.6mm) faucet holes on 8" (203.2mm) centers
- 3-1/2" (88.9mm) waste drain opening



AUTOQUOTES



In keeping with our policy of continuing product improvement, Elkay SSP reserves the right to change product specifications without notice.

This specification describes an Elkay SSP product with design, quality and functional benefits to the user. When making a comparison of other producers' offerings, be certain these features are not overlooked.

Elkay SSP

421 N. Freya St.
Spokane, WA 99205
Phone: 800-726-0553 Fax: 509-535-1493

Website: www.sspinc.net
Email: sspsales@elkay.com
©2011 SSP INC.



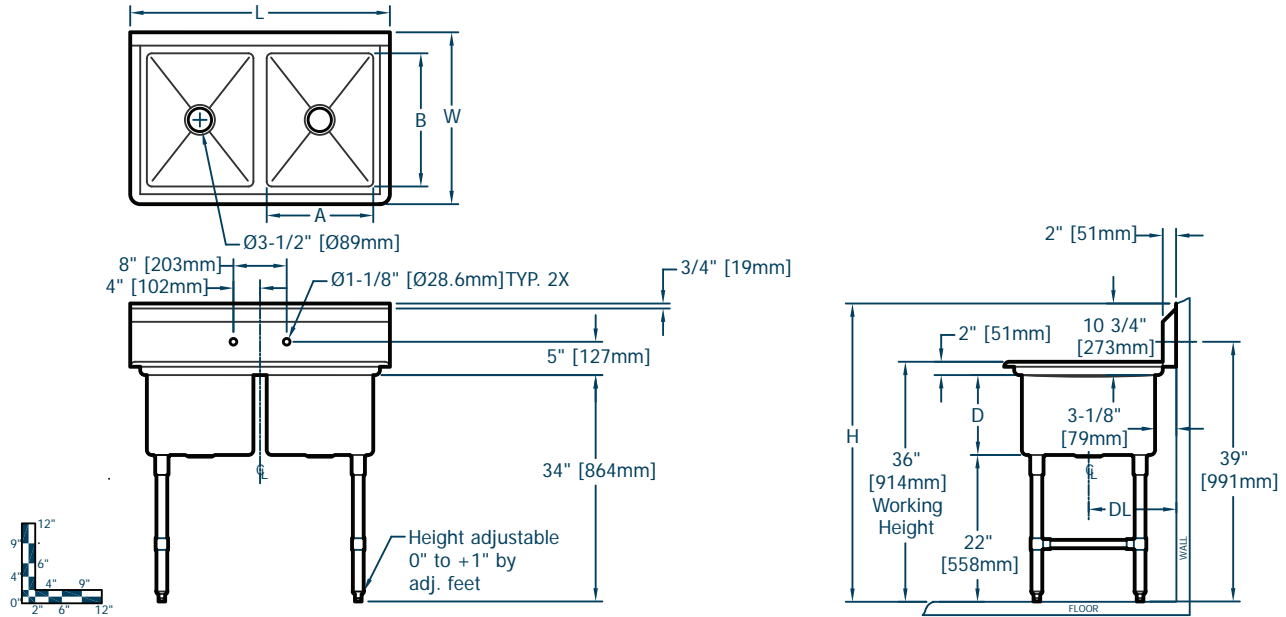
Item No.: _____ Qty. _____

Model No.: _____

Project No.: _____

12" Standard Series Sinks

12" Deep Standard Series Two Compartment Stainless Steel Sinks



12" Standard Series Sinks																			
Model Number	Bowl Dimensions						Overall Size			Drainboard		Drain Location		Weight					
	Width		Front-to-Back		Depth		Length		Width	Height		Location	Size	Location		lbs.	kg		
	A	mm	B	mm	D	mm	L	mm	W	mm	H	mm	DB	mm	DL	mm			
2C 16 X 20 0	16	406	20	508	12	305	39	991	25.8	656	44.8	1137	No	0	0	13.1	333	132	60
2C 18 X 18 0	18	457	18	457	12	305	43	1092	23.8	605	44.8	1137	No	0	0	12.1	308	138	63
2C 18 X 24 0	18	457	24	610	12	305	43	1092	29.8	757	44.8	1137	No	0	0	15.1	384	152	69
2C 20 X 20 0	20	508	20	508	12	305	47	1194	25.8	656	44.8	1137	No	0	0	13.1	333	160	73
2C 24 X 24 0	24	610	24	610	12	305	55	1397	29.8	757	44.8	1137	No	0	0	15.1	384	182	82
2C 24 X 30 0	24	610	30	762	12	305	55	1397	35.8	910	44.8	1137	No	0	0	18.1	460	199	90
2C 30 X 30 0	30	762	30	762	12	305	67	1702	35.8	910	44.8	1137	No	0	0	18.1	460	232	105

