

Item No.:	_____	Qty.	_____
Model No.:	_____		
Project No.:	_____		



10" Deli Series Sinks

10" Deep Deli Series Three Compartment Stainless Steel Sinks

- 3C10X14-2-12X**
- 3C10X14-2-16X**
- 3C12X16-2-12X**
- 3C12X16-2-16X**

Options

- Faucets
- Tub Accessories
- Undershelves
- Rotary Drain Options
- H-Frame Stainless Steel Legs
- Stainless Steel Feet Options (bullet & flange styles)

Specifications

Deli Series Sink, with three compartments, both left and right drainboards, 9" backsplash, 16 gauge, 300 series stainless steel top and bowl, galvanized legs & adjustable feet, raised 1-1/2" rolled edge, includes 3-1/2" basket strainers, NSF approved

Features

- 16 Ga. stainless steel
- Welded construction for consistent metal gauge thickness throughout
- 10" (254 mm) deep tub with 3/4" (19.1 mm) coved radius tub corners
- All drainboards are die stamped for positive drainage
- 9" (229 mm) backsplash with tile ledge for easy installation
- Raised 1-1/2" (38.1 mm) diameter rolled edge
- 3-1/2" (88.9 mm) drain with basket strainers included
- 1-5/8" (41.3 mm) galvanized legs with 1" (25.4 mm) adjustable plastic feet
- 2" (50.8 mm) divider between each tub

Flyer Product

In keeping with our policy of continuing product improvement, Elkay SSP reserves the right to change product specifications without notice.

Materials

- Sink & Bowl: 16 Ga. 300 series stainless steel
- Top: Drainboards and backsplash are 16 gauge 300 series stainless steel.
- Legs: All sinks furnished with 1-5/8" (41.3 mm) diameter heavy gauge galvanized tubing with plated galvanized leg gussets and high impact corrosion resistant fully adjustable 1" (25.4 mm) feet.

Mechanical

- 1-1/8" (28.6mm) faucet holes on 8" (203.2mm) centers
- 3-1/2" (88.9mm) waste drain opening



AUTOQUOTES



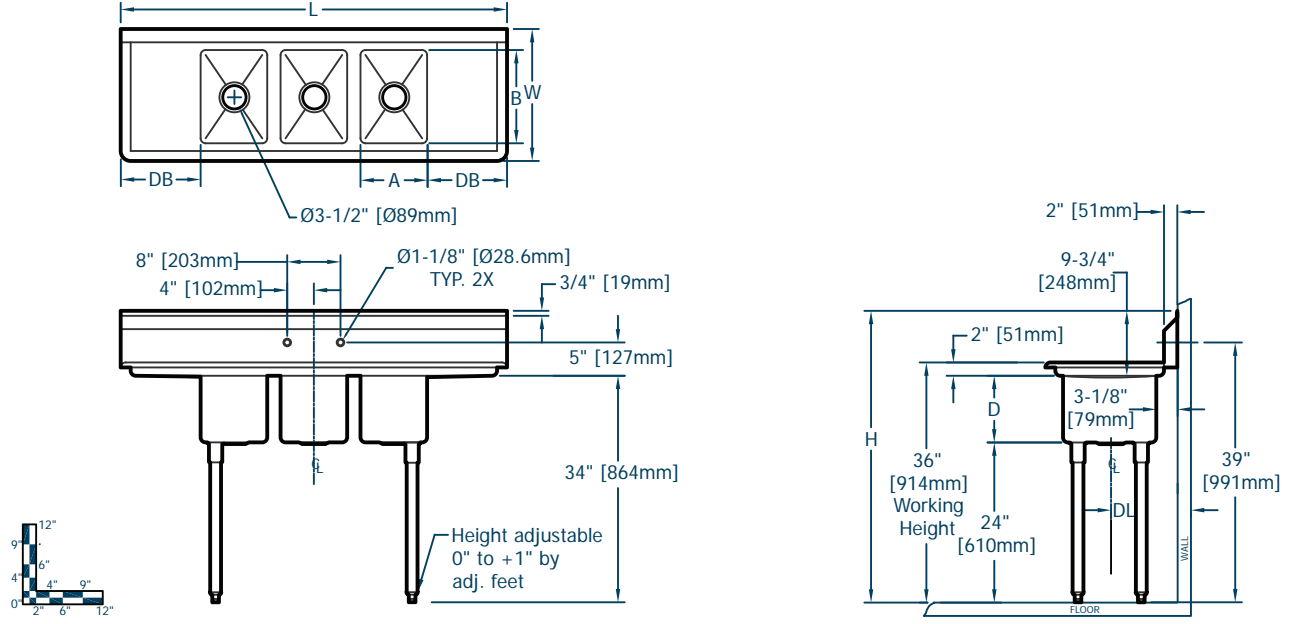
This specification describes an Elkay SSP product with design, quality and functional benefits to the user. When making a comparison of other producers' offerings, be certain these features are not overlooked.



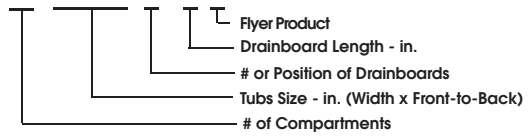
Item No.: _____ Qty. _____
 Model No.: _____
 Project No.: _____

Deli Series Sinks

10" Deep Deli Series Three Compartment Stainless Steel Sinks



10" Deli Series Sinks																			
Model Number	Bowl Dimensions						Overall Size			Drainboard		Drain	Weight						
	Width A		Front-to-Back B		Depth D		Length L		Width W		Height H		Location	Size DB	Location DL	lbs.	kg		
	in.	mm	in.	mm	in.	mm	in.	mm	in.	mm	in.	mm		in.	mm	in.	mm		
3C 10 X 14 2 12 X	10	254	14	356	10	254	58	1473	19.8	503	44.8	1137	L & R	12	305	10	254	228	104
3C 10 X 14 2 16 X	10	254	14	356	10	254	66	1676	19.8	503	44.8	1137	L & R	16	406	10	254	238	108
3C 12 X 16 2 12 X	12	305	16	406	10	254	64	1626	21.8	554	44.8	1137	L & R	12	305	11	279	240	109
3C 12 X 16 2 16 X	12	305	16	406	10	254	72	1829	21.8	554	44.8	1137	L & R	16	406	11	279	250	113



Elkay SSP
 421 N. Freya St.
 Spokane, WA 99205
 Phone: 800-726-0553 Fax: 509-535-1493

Website: www.sspinc.net
 Email: sspsales@elkay.com
 ©2011 SSP INC.