

Item No.:	_____	Qty.	_____
Model No.:	_____		
Project No.:	_____		



## Specifications

Deli Series Sink, with three compartments, right drainboard, 9" backsplash, 16 gauge, 300 series stainless steel top and bowl, galvanized H-frame legs & adjustable feet, raised 1-1/2" rolled edge, includes 3-1/2" basket strainer, NSF approved

## Features

- 16 Ga. stainless steel
- Welded construction for consistent metal gauge thickness throughout
- 12" (304.8 mm) deep tub with 3/4" (19.1 mm) coved radius tub corners
- Drainboard is die stamped for positive drainage
- 9" (228.6 mm) backsplash with tile ledge for easy installation
- Raised 1-1/2" (38.1 mm) diameter rolled edge
- 3-1/2" (88.9 mm) drain with basket strainers included
- 1-5/8" (41.3 mm) galvanized H-Frame legs with 1" (25.4 mm) adjustable plastic feet
- 2" (50.8 mm) divider between each tub

## Deli Series Sinks

10" Deep Deli Series Three Compartment Stainless Steel Sinks

- 3C10X14-R-12**
- 3C10X14-R-16**
- 3C12X16-R-12**
- 3C12X16-R-16**

## Options

- Overshelves and Pot Racks
- Skirts & End Splashes
- Faucets
- Tub & Drainboard Modifications
- Tub Accessories
- Disposer Provisions
- Rotary Drain Options
- Undershelves
- Stainless Steel Leg Sockets
- H-Frame Stainless Steel Legs
- Stainless Steel Feet Options (bullet & flange styles)

## Materials

- Sink & Bowl: 16 Ga. 300 series stainless steel
- Top: Drainboard and backsplash are 16 gauge 300 series stainless steel.
- Legs: All sinks furnished with 1-5/8" (41.3 mm) diameter heavy gauge galvanized tubing with plated galvanized leg gussets and high impact corrosion resistant fully adjustable 1" (25.4 mm) feet.

## Mechanical

- 1-1/8" (28.6mm) faucet holes on 8" (203.2mm) centers
- 3-1/2" (88.9mm) waste drain opening



**AUTOQUOTES**



*In keeping with our policy of continuing product improvement, Elkay SSP reserves the right to change product specifications without notice.*

*This specification describes an Elkay SSP product with design, quality and functional benefits to the user. When making a comparison of other producers' offerings, be certain these features are not overlooked.*

### Elkay SSP

421 N. Freya St.  
Spokane, WA 99205  
Phone: 800-726-0553 Fax: 509-535-1493

Website: [www.sspinc.net](http://www.sspinc.net)  
Email: [sspsales@elkay.com](mailto:sspsales@elkay.com)  
©2011 SSP INC.



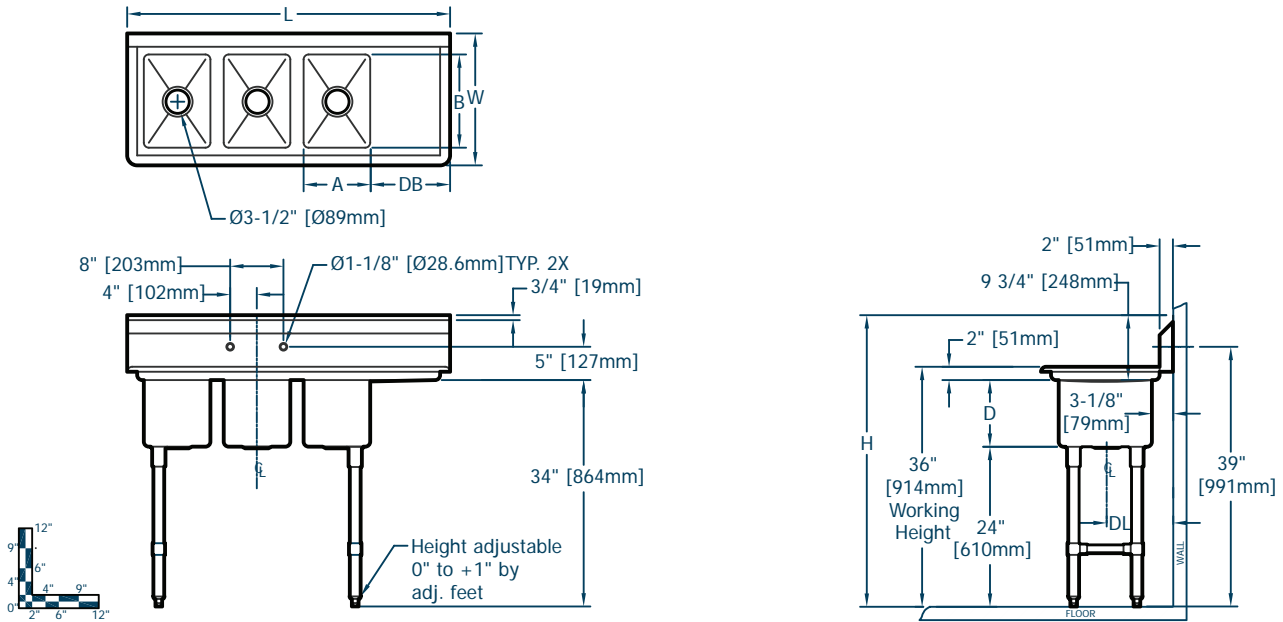
Item No.: \_\_\_\_\_ Qty. \_\_\_\_\_

Model No.: \_\_\_\_\_

Project No.: \_\_\_\_\_

## Deli Series Sinks

10 Deep Deli Series Three Compartment Stainless Steel Sinks



10" Deli Series Sinks																			
Model Number	Bowl Dimensions						Overall Size			Drainboard		Drain		Weight					
	Width		Front-to-Back		Depth		Length		Width		Height		Location	Size	Location	lbs.	kg		
	A	mm	B	mm	D	mm	L	mm	W	mm	H	mm	DB	mm	DL	mm			
3C 10 X 14 R 12	10	254	14	356	10	254	48.5	1232	19.8	503	44.8	1137	Right	12	305	10	254	217	98
3C 10 X 14 R 16	10	254	14	356	10	254	52.5	1334	19.8	503	44.8	1137	Right	16	406	10	254	221	100
3C 12 X 16 R 12	12	305	16	406	10	254	54.5	1384	21.8	554	44.8	1137	Right	12	305	11	279	228	103
3C 12 X 16 R 18	12	305	16	406	10	254	60.5	1537	21.8	554	44.8	1137	Right	18	457	11	279	233	106

