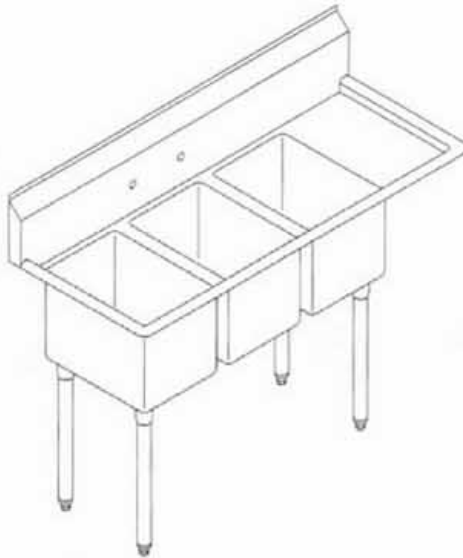




**STANDARD THREE  
COMPARTMENT DELI SINKS  
WITH ONE DRAINBOARD**



**FEATURES:**

**TOP & BOWLS** are constructed of 16 gauge 304 stainless steel with an 1-1/2" raised-rolled edge, 2" tall, on front and both ends. Bowls are 10" deep. 2" typical separation between tubs.

**BACKSPLASH** is 9-3/4" tall, from the deck, with a 2" return at 45° and 3/4" clip-up to the wall. Includes (2) 1" holes punched on 8" centers.

**LEGS** are 1-5/8" diameter galvanized steel with stainless steel leg sockets and adjustable plastic feet.

**INCLUDES** (3) 3-1/2" basket strainers.

All visible welds are ground and polished to no. 4 finish.

**SPEC-LINE SERIES:**

**TOP & BOWLS:** 14 gauge 304 stainless steel.

**LEGS:** 1-5/8" diameter stainless steel and bracing with stainless steel adjustable feet.

**WEIGHT:** Add 26% to weight shown.

To order Spec-Line series, write SL at the start of the model number.

**STANDARD SIZES (in.)**

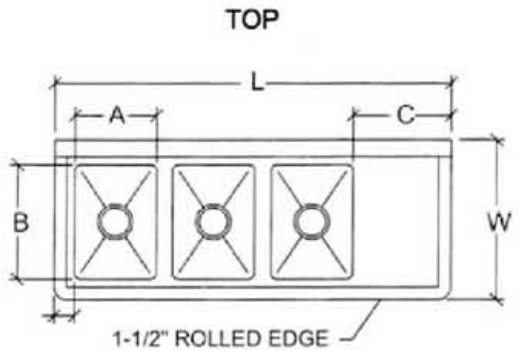
MODEL	BOWLS	DRAINBOARD	LENGTH	WIDTH	HEIGHT
3C10X14-D-12	10X14	12	48-1/2	19-1/2	43-3/4
3C10X14-D-16	10X14	16	52-1/2	19-1/2	
3C12X16-D-12	12X16	12	54-1/2	21-1/2	
3C12X16-D-18	12X16	18	60-1/2	21-1/2	

**CUSTOM SIZES AVAILABLE!**

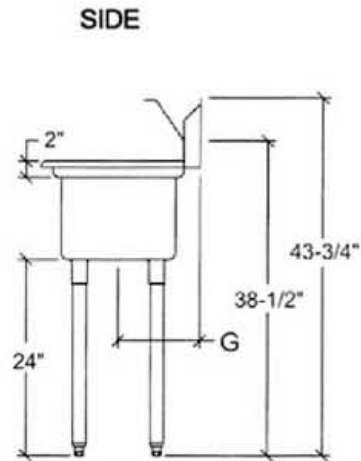
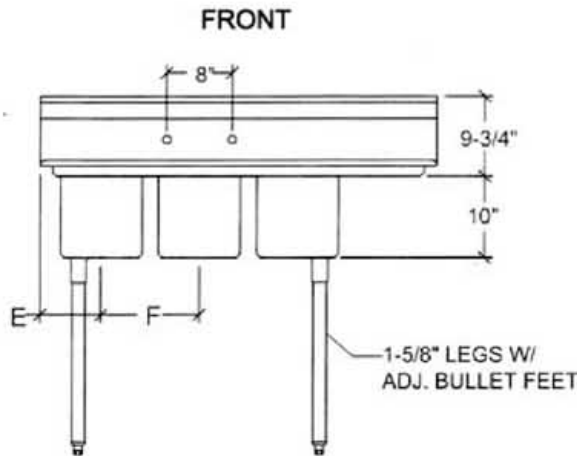
**NOTE:** TO SPECIFY LEFT OR RIGHT DRAINBOARD, PLEASE REPLACE THE "D" IN THE MODEL NUMBER WITH "L" OR "R".

# SPECIFICATIONS

DATE: \_\_\_\_\_ MODEL NO: \_\_\_\_\_  
 PROJECT: \_\_\_\_\_



STANDARD THREE  
 COMPARTMENT DELI SINKS  
 WITH ONE DRAINBOARD



### DIMENSIONS (in.)

MODEL	A	B	C	E	F	G	L	W	APPROX. WT. (lbs.)
3C10X14-D-12	10	14	12	7-1/2	12	10	48-1/2	19-1/2	105
3C10X14-D-16	10	14	16	7-1/2	12	10	52-1/2	19-1/2	118
3C12X16-D-12	12	16	12	8-1/2	14	11	54-1/2	21-1/2	125
3C12X16-D-18	12	16	18	8-1/2	14	11	60-1/2	21-1/2	130

(Specifications Subject To Change)

To order Spec-Line series, write SL at the start of the model number.



North 421 Freya, Spokane, WA 99202 509-533-0808 / 800-726-0553 Fax: 509-535-1493 Website: <http://www.sspinc.net> E-mail: [ssp@sspinc.net](mailto:ssp@sspinc.net)