

Item No.:	_____	Qty.	_____
Model No.:	_____		
Project No.:	_____		



Specifications

12" Standard Series Sink, with three compartments, left drainboard, 10" backsplash, 16 gauge, 300 series stainless steel top and bowl, galvanized H-frame legs & adjustable feet, raised 1-1/2" rolled edge, includes 3-1/2" basket strainer, NSF approved

Features

- 16 Ga. stainless steel
- Welded construction for consistent metal gauge thickness throughout
- 12" (304.8 mm) deep tub with 3/4" (19.1 mm) coved radius tub corners
- Drainboard is die stamped for positive drainage
- 10" (254 mm) backsplash with tile ledge for easy installation
- Raised 1-1/2" (38.1 mm) diameter rolled edge
- 3-1/2" (88.9 mm) drain with basket strainers included
- 1-5/8" (41.3 mm) galvanized H-Frame legs with 1" (25.4 mm) adjustable plastic feet
- 2" (50.8 mm) divider between each tub

In keeping with our policy of continuing product improvement, Elkay SSP reserves the right to change product specifications without notice.

12" Standard Series Sinks

12" Deep Standard Series Three Compartment Stainless Steel Sinks

- | | |
|--|--|
| <input type="checkbox"/> 3C16X20-L-18 | <input type="checkbox"/> 3C24X30-L-30 |
| <input type="checkbox"/> 3C18X18-L-18 | <input type="checkbox"/> 3C30X30-L-30 |
| <input type="checkbox"/> 3C18X18-L-24 | |
| <input type="checkbox"/> 3C18X24-L-18 | |
| <input type="checkbox"/> 3C18X24-L-24 | |
| <input type="checkbox"/> 3C20X20-L-20 | |
| <input type="checkbox"/> 3C20X20-L-24 | |
| <input type="checkbox"/> 3C24X24-L-24 | |
| <input type="checkbox"/> 3C24X24-L-30 | |

Options

- Overshelves and Pot Racks
- Skirts & End Splashes
- Faucets
- Tub & Drainboard Modifications
- Tub Accessories
- Disposer Provisions
- Rotary Drain Options
- Undershelves
- Stainless Steel Leg Sockets
- H-Frame Stainless Steel Legs
- Stainless Steel Feet Options (bullet & flange styles)

Materials

- Sink & Bowl: 16 Ga. 300 series stainless steel
- Top: Drainboard and backsplash are 16 gauge 300 series stainless steel.
- Legs: All sinks furnished with 1-5/8" (41.3 mm) diameter heavy gauge galvanized tubing with plated galvanized leg gussets and high impact corrosion resistant fully adjustable 1" (25.4 mm) feet.

Mechanical

- 1-1/8" (28.6mm) faucet holes on 8" (203.2mm) centers
- 3-1/2" (88.9mm) waste drain opening



AUTOQUOTES



This specification describes an Elkay SSP product with design, quality and functional benefits to the user. When making a comparison of other producers' offerings, be certain these features are not overlooked.

Elkay SSP

421 N. Freya St.
Spokane, WA 99205
Phone: 800-726-0553 Fax: 509-535-1493

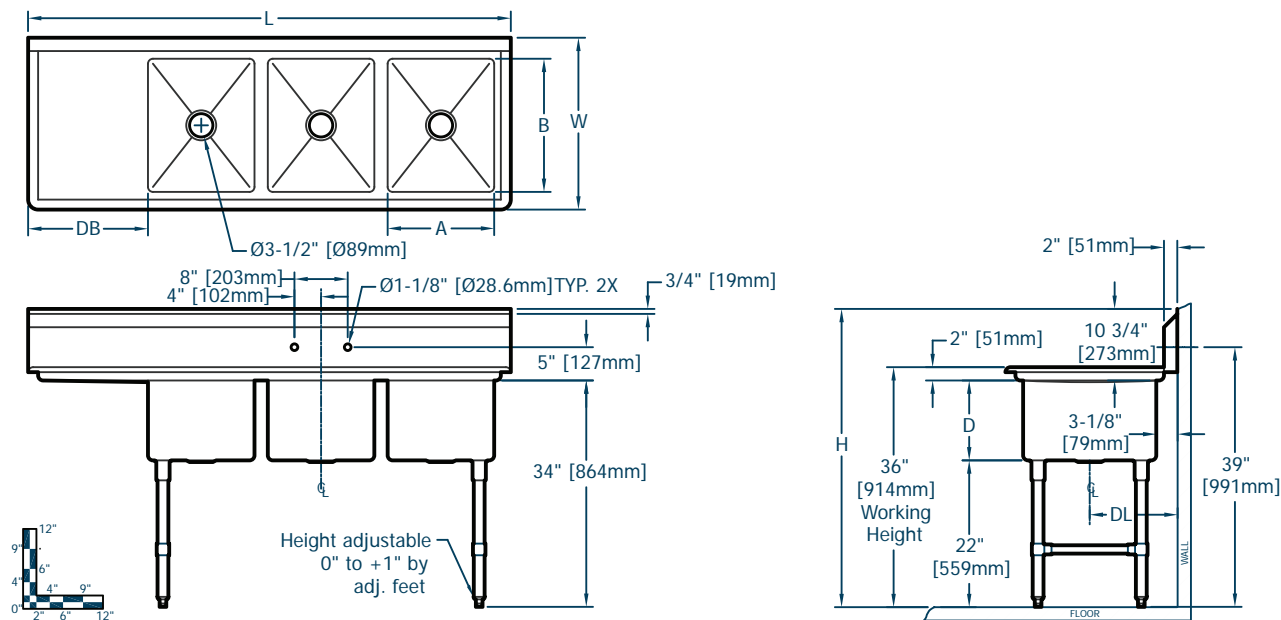
Website: www.sspinc.net
Email: sspsales@elkay.com
©2011 SSP INC.



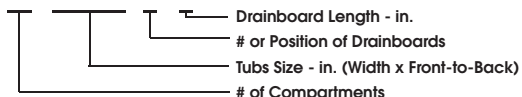
Item No.: _____ Qty. _____
 Model No.: _____
 Project No.: _____

12" Standard Series Sinks

12" Deep Standard Series Three Compartment Stainless Steel Sinks



12" Standard Series Sinks																			
Model Number	Bowl Dimensions						Overall Size			Drainboard		Drain Location		Weight					
	Width		Front-to-Back		Depth		Length		Width		Height		Location	Size DB		Location DL		lbs.	kg
	A	mm	B	mm	D	mm	L	mm	W	mm	H	mm		in.	mm	in.	mm		
3C 16 X 20 L 18	16	406	20	508	12	305	72.5	1842	25.8	656	44.8	1137	Left	18	457	13.1	333	195	89
3C 18 X 18 L 18	18	457	18	457	12	305	78.5	1994	23.8	605	44.8	1137	Left	18	457	12.1	308	204	92
3C 18 X 18 L 24	18	457	18	457	12	305	84.5	2146	23.8	605	44.8	1137	Left	24	610	12.1	308	211	96
3C 18 X 24 L 18	18	457	24	610	12	305	78.5	1994	29.8	757	44.8	1137	Left	18	457	15.1	384	226	103
3C 18 X 24 L 24	18	457	24	610	12	305	84.5	2146	29.8	757	44.8	1137	Left	24	610	15.1	384	234	106
3C 18 X 30 L 18	18	457	30	762	12	305	106	2692	35.8	910	44.8	1137	Left	24	610	18.1	460	275	125
3C 18 X 30 L 24	18	457	30	762	12	305	78.5	1994	35.8	910	44.8	1137	Left	18	457	18.1	460	233	106
3C 20 X 20 L 20	20	508	20	508	12	305	86.5	2197	25.8	656	44.8	1137	Left	20	508	13.1	333	240	109
3C 20 X 20 L 24	20	508	20	508	12	305	90.5	2299	25.8	656	44.8	1137	Left	24	610	13.1	333	245	111
3C 20 X 28 L 20	20	508	28	711	12	305	86.5	2197	33.8	859	44.8	1137	Left	20	508	17.1	435	258	117
3C 24 X 24 L 24	24	610	24	610	12	305	102.5	2604	29.8	757	44.8	1137	Left	24	610	15.1	384	277	126
3C 24 X 24 L 30	24	610	24	610	12	305	108.5	2756	29.8	757	44.8	1137	Left	30	762	15.1	384	297	135
3C 24 X 30 L 30	24	610	30	762	12	305	108.5	2756	35.8	910	44.8	1137	Left	30	762	18.1	460	327	148
3C 30 X 30 L 30	30	762	30	762	12	305	126.5	3213	35.8	910	44.8	1137	Left	30	762	18.1	460	384	174



Elkay SSP
 421 N. Freya St.
 Spokane, WA 99205
 Phone: 800-726-0553 Fax: 509-535-1493

Website: www.sspinc.net
 Email: sspsales@elkay.com
 ©2011 SSP INC.