

Item No.:	_____	Qty.	_____
Model No.:	_____		
Project No.:	_____		



## Specifications

12" Standard Series Sink, with three compartments, right drainboard, 10" backsplash, 16 gauge, 300 series stainless steel top and bowl, galvanized H-frame legs & adjustable feet, raised 1-1/2" rolled edge, includes 3-1/2" basket strainer, NSF approved

## Features

- 16 Ga. stainless steel
- Welded construction for consistent metal gauge thickness throughout
- 12" (304.8 mm) deep tub with 3/4" (19.1 mm) coved radius tub corners
- Drainboard is die stamped for positive drainage
- 10" (254 mm) backsplash with tile ledge for easy installation
- Raised 1-1/2" (38.1 mm) diameter rolled edge
- 3-1/2" (88.9 mm) drain with basket strainers included
- 1-5/8" (41.3 mm) galvanized H-Frame legs with 1" (25.4 mm) adjustable plastic feet
- 2" (50.8 mm) divider between each tub

## 12" Standard Series Sinks

12" Deep Standard Series Three Compartment Stainless Steel Sinks

- |  |  |
|--|--|
| <input type="checkbox"/> <b>3C16X20-R-18</b> | <input type="checkbox"/> <b>3C24X30-R-30</b> |
| <input type="checkbox"/> <b>3C18X18-R-18</b> | <input type="checkbox"/> <b>3C30X30-R-30</b> |
| <input type="checkbox"/> <b>3C18X18-R-24</b> |  |
| <input type="checkbox"/> <b>3C18X24-R-18</b> |  |
| <input type="checkbox"/> <b>3C18X24-R-24</b> |  |
| <input type="checkbox"/> <b>3C20X20-R-20</b> |  |
| <input type="checkbox"/> <b>3C20X20-R-24</b> |  |
| <input type="checkbox"/> <b>3C24X24-R-24</b> |  |
| <input type="checkbox"/> <b>3C24X24-R-30</b> |  |

## Options

- Overshelves and Pot Racks
- Skirts & End Splashes
- Faucets
- Tub & Drainboard Modifications
- Tub Accessories
- Disposer Provisions
- Rotary Drain Options
- Undershelves
- Stainless Steel Leg Sockets
- H-Frame Stainless Steel Legs
- Stainless Steel Feet Options (bullet & flange styles)

## Materials

- Sink & Bowl: 16 Ga. 300 series stainless steel
- Top: Drainboard and backsplash are 16 gauge 300 series stainless steel.
- Legs: All sinks furnished with 1-5/8" (41.3 mm) diameter heavy gauge galvanized tubing with plated galvanized leg gussets and high impact corrosion resistant fully adjustable 1" (25.4 mm) feet.

## Mechanical

- 1-1/8" (28.6mm) faucet holes on 8" (203.2mm) centers
- 3-1/2" (88.9mm) waste drain opening



**AUTOQUOTES**



*In keeping with our policy of continuing product improvement, Elkay SSP reserves the right to change product specifications without notice.*

*This specification describes an Elkay SSP product with design, quality and functional benefits to the user. When making a comparison of other producers' offerings, be certain these features are not overlooked.*

### Elkay SSP

421 N. Freya St.  
Spokane, WA 99205  
Phone: 800-726-0553 Fax: 509-535-1493

Website: [www.sspinc.net](http://www.sspinc.net)  
Email: [sspsales@elkay.com](mailto:sspsales@elkay.com)  
©2011 SSP INC.



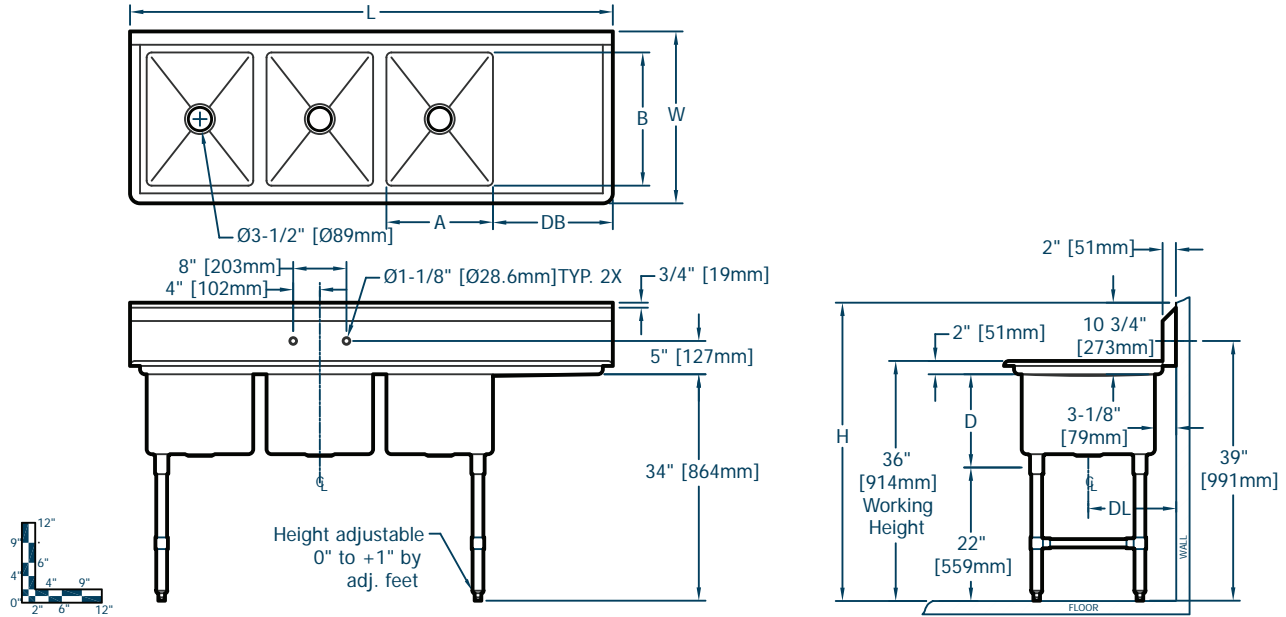
Item No.: \_\_\_\_\_ Qty. \_\_\_\_\_

Model No.: \_\_\_\_\_

Project No.: \_\_\_\_\_

## 12" Standard Series Sinks

12" Deep Standard Series Three Compartment Stainless Steel Sinks



12" Standard Series Sinks														
Model Number	Bowl Dimensions			Overall Size			Drainboard		Drain		Weight			
	Width	Front-to-Back	Depth	Length	Width	Height	Location	Size	Location	lbs.	kg			
	A in. mm	B in. mm	D in. mm	L in. mm	W in. mm	H in. mm		DB in. mm	DL in. mm					
3C 16 X 20 R 18	16 406	20 508	12 305	72.5 1842	25.8 656	44.8 1137	Right	18 457	13.1 333	195	89			
3C 18 X 18 R 18	18 457	18 457	12 305	78.5 1994	23.8 605	44.8 1137	Right	18 457	12.1 308	204	92			
3C 18 X 18 R 24	18 457	18 457	12 305	84.5 2146	23.8 605	44.8 1137	Right	24 610	12.1 308	211	96			
3C 18 X 24 R 18	18 457	24 610	12 305	78.5 1994	29.8 757	44.8 1137	Right	18 457	15.1 384	226	103			
3C 18 X 24 R 24	18 457	24 610	12 305	84.5 2146	29.8 757	44.8 1137	Right	24 610	15.1 384	234	106			
3C 18 X 30 R 18	18 457	30 762	12 305	78.5 1994	35.8 910	44.8 1137	Right	18 457	18.1 460	233	106			
3C 18 X 30 R 24	18 457	30 762	12 305	84.5 2146	35.8 910	44.8 1137	Right	24 610	18.1 460	242	110			
3C 20 X 20 R 20	20 508	20 508	12 305	86.5 2197	25.8 656	44.8 1137	Right	20 508	13.1 333	240	109			
3C 20 X 20 R 24	20 508	20 508	12 305	90.5 2299	25.8 656	44.8 1137	Right	24 610	13.1 333	245	111			
3C 20 X 28 R 20	20 508	28 711	12 305	86.5 2197	33.8 859	44.8 1137	Right	20 508	17.1 435	258	117			
3C 24 X 24 R 24	24 610	24 610	12 305	102.5 2604	29.8 757	44.8 1137	Right	24 610	15.1 384	277	126			
3C 24 X 24 R 30	24 610	24 610	12 305	108.5 2756	29.8 757	44.8 1137	Right	30 762	15.1 384	297	135			
3C 24 X 30 R 30	24 610	30 762	12 305	108.5 2756	35.8 910	44.8 1137	Right	30 762	18.1 460	327	148			
3C 30 X 30 R 30	30 762	30 762	12 305	126.5 3213	35.8 910	44.8 1137	Right	30 762	18.1 460	384	174			

