

Item No.:	_____	Qty. _____
Model No.:	_____	
Project No.:	_____	



12" Standard Series Sinks

12" Deep Standard Series Three Compartment Stainless Steel Sinks

- 3C18X18-R-18X**
- 3C18X24-R-18X**
- 3C18X24-R-24X**
- 3C24X24-R-24X**

Options

- Faucets
- Tub Accessories
- Undershelves
- Rotary Drain Options
- H-Frame Stainless Steel Legs
- Stainless Steel Feet Options (bullet & flange styles)

Specifications

12" Standard Series Sink, with three compartments, right drainboard, 10" backsplash, 16 gauge, 300 series stainless steel top and bowl, galvanized legs & adjustable feet, raised 1-1/2" rolled edge, includes 3-1/2" basket strainer, NSF approved

Features

- 16 Ga. stainless steel
- Welded construction for consistent metal gauge thickness throughout
- 12" (304.8 mm) deep tub with 3/4" (19.1 mm) coved radius tub corners
- Drainboard is die stamped for positive drainage
- 10" (254 mm) backsplash with tile ledge for easy installation
- Raised 1-1/2" (38.1 mm) diameter rolled edge
- 3-1/2" (88.9 mm) drain with basket strainers included
- 1-5/8" (41.3 mm) galvanized legs with 1" (25.4 mm) adjustable plastic feet
- 2" (50.8 mm) divider between each tub

Materials

- Sink & Bowl: 16 Ga. 300 series stainless steel
- Top: Drainboard and backsplash are 16 gauge 300 series stainless steel.
- Legs: All sinks furnished with 1-5/8" (41.3 mm) diameter heavy gauge galvanized tubing with plated galvanized leg gussets and high impact corrosion resistant fully adjustable 1" (25.4 mm) feet.

Mechanical

- 1-1/8" (28.6mm) faucet holes on 8" (203.2mm) centers
- 3-1/2" (88.9mm) waste drain opening

Flyer Product

In keeping with our policy of continuing product improvement, Elkay SSP reserves the right to change product specifications without notice.



AUTOQUOTES



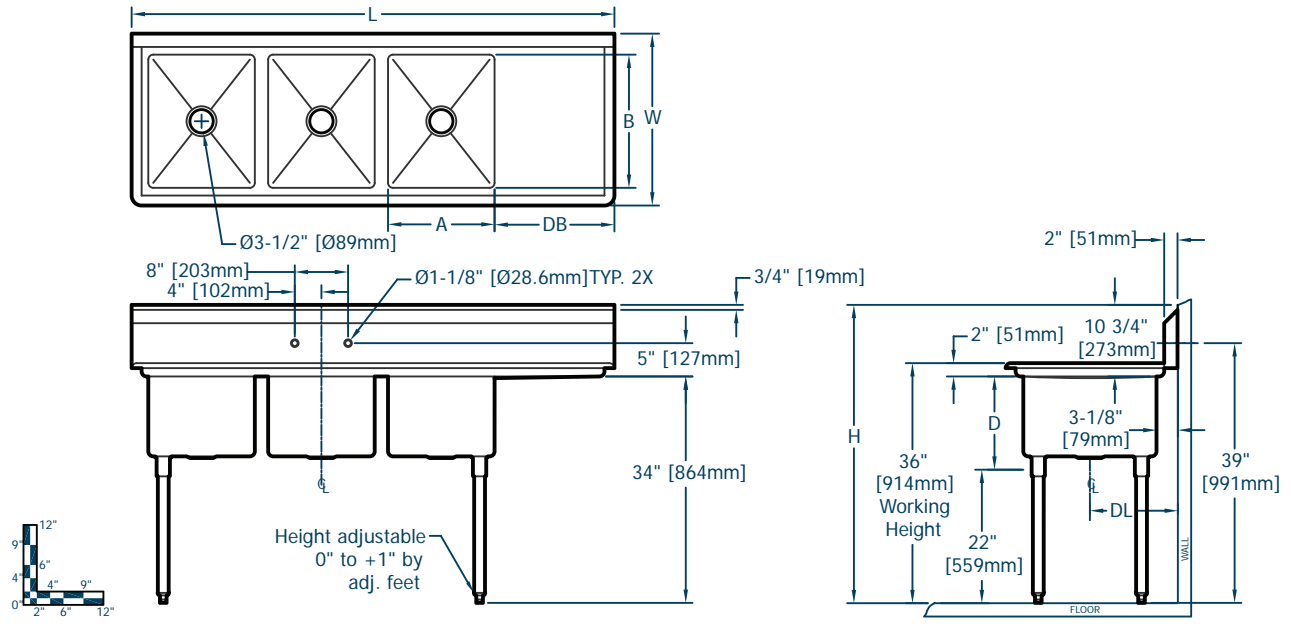
This specification describes an Elkay SSP product with design, quality and functional benefits to the user. When making a comparison of other producers' offerings, be certain these features are not overlooked.



Item No.: _____ Qty. _____
 Model No.: _____
 Project No.: _____

12" Standard Series Sinks

12" Deep Standard Series Three Compartment Stainless Steel Sinks



12" Standard Series Sinks																			
Model Number	Bowl Dimensions						Overall Size				Drainboard		Drain Location		Weight				
	Width		Front-to-Back		Depth		Length		Width		Height		Location	Size		Location		Weight	
	A	mm	B	mm	D	mm	L	mm	W	mm	H	mm		DB	DL	in.	mm	lbs.	kg
3C 18 X 18 R 18 X	18	457	18	457	12	305	78.5	1994	23.8	605	44.8	1137	Right	18	457	12	305	204	92
3C 18 X 24 R 18 X	18	457	24	610	12	305	78.5	1994	29.8	757	44.8	1137	Right	18	457	15	381	226	103
3C 18 X 24 R 24 X	18	457	24	610	12	305	84.5	2146	29.8	757	44.8	1137	Right	24	610	15	381	234	106
3C 24 X 24 R 24 X	24	610	24	610	12	305	102.5	2604	29.8	757	44.8	1137	Right	24	610	15	381	277	126

