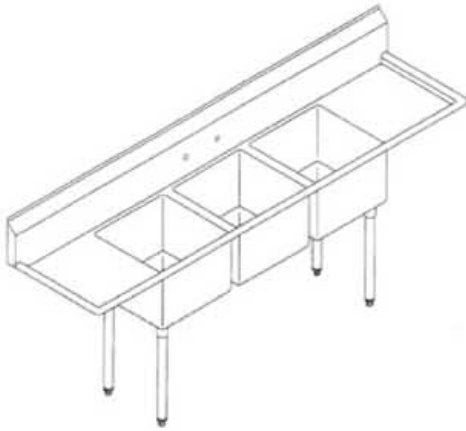




**STANDARD
THREE COMPARTMENT SINKS
WITH TWO DRAINBOARDS**



FEATURES:

TOP & BOWLS are constructed of 16 gauge 304 stainless steel with an 1-1/2" raised-rolled edge, 2" tall, on front and both ends. Bowl is 12" deep. 2" typical separation between tubs.

BACKSPLASH is 10" tall, from the deck, with a 2" return at 45° and 3/4" clip-up to the wall. Includes (2) 1" holes punched on 8" centers. (23" wide tubs and over will have 2 sets of 8" on center faucet holes.*)

LEGS are 1-5/8" diameter galvanized steel with stainless steel leg sockets and adjustable plastic feet.

INCLUDES (3) 3-1/2" basket strainers.

All visible welds are ground and polished to no. 4 finish.

SPEC-LINE SERIES:

TOP & BOWLS: 14 gauge 304 stainless steel.

BACKSPLASH is 10" tall, from the deck, with a 2" return at 45° and 3/4" clip-up to the wall. Includes (2) 1" holes punched on 8" centers. (23" wide tubs and over will have 2 sets of 8" on center faucet holes.*)

LEGS: 1-5/8" stainless steel legs and bracing with adjustable stainless steel feet.

BOWL DEPTH: 14".

WEIGHT: Add 26% to weight shown.

To order Spec-Line series, write SL at the start of the stock number.

STANDARD SIZES (in.)

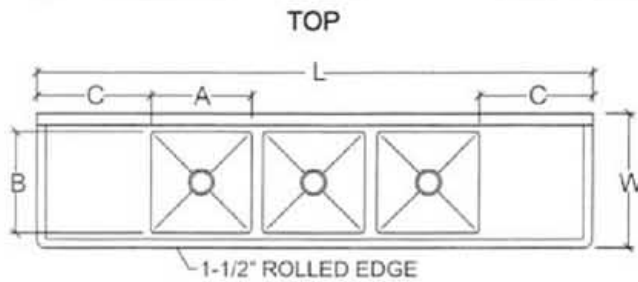
MODEL	BOWLS	DRAINBOARDS	LENGTH	WIDTH	HEIGHT
3C16X20-2-18	16X20	18	88	25-1/2	44-3/4
3C17X17-2-18	17X17	18	91	22-1/2	
3C17X17-2-24	17X17	24	103	22-1/2	
3C17X23-2-18	17X23	18	91	28-1/2	
3C17X23-2-24	17X23	24	103	28-1/2	
3C20X20-2-20	20X20	20	104	25-1/2	
3C20X20-2-24	20X20	24	112	25-1/2	
*3C23X23-2-24	23X23	24	121	28-1/2	
*3C23X23-2-30	23X23	30	133	28-1/2	
3C20X28-2-20	20X28	20	104	33-1/2	
3C17X29-2-18	17X29	18	91	34-1/2	
3C17X29-2-24	17X29	24	103	34-1/2	
*3C23X29-2-30	23X29	30	133	34-1/2	
*3C29X29-2-30	29X29	30	151	34-1/2	

CUSTOM SIZES AVAILABLE!

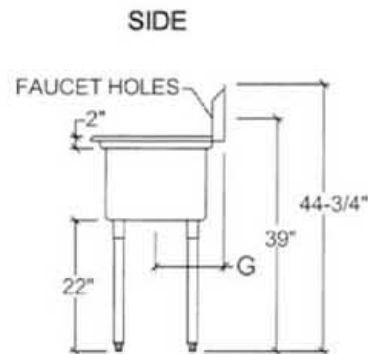
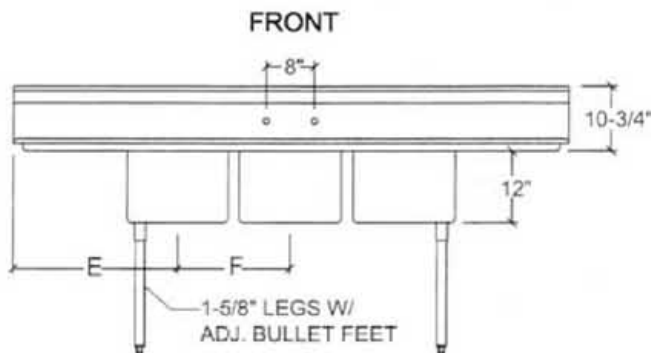
SPECIFICATIONS

DATE: _____ MODEL NO: _____

PROJECT: _____



STANDARD
THREE COMPARTMENT SINKS
WITH TWO DRAINBOARDS



*Tubs 23\"/>

DIMENSIONS (in.)

MODEL	A	B	C	E	F	G	L	W	APPROX. WT. (lbs.)
3C16X20-2-18	16	20	18	26	18	13	88	25-1/2	
3C17X17-2-18	17	17	18	26-1/2	19	11-1/2	91	22-1/2	162
3C17X17-2-24	17	17	24	32-1/2	19	11-1/2	103	22-1/2	167
3C17X23-2-18	17	23	18	26-1/2	19	14-1/2	91	28-1/2	185
3C17X23-2-24	17	23	24	32-1/2	19	14-1/2	103	28-1/2	195
3C20X20-2-20	20	20	20	28	22	13	104	25-1/2	
3C20X20-2-24	20	20	24	34	22	13	112	25-1/2	195
*3C23X23-2-24	23	23	24	35-1/2	25	14-1/2	121	28-1/2	225
*3C23X23-2-30	23	23	30	41-1/2	25	14-1/2	133	28-1/2	240
3C20X28-2-20	20	28	20	30	22	17	104	33-1/2	170
3C17X29-2-18	17	29	18	26-1/2	19	17-1/2	91	34-1/2	175
3C17X29-2-24	17	29	24	32-1/2	19	17-1/2	103	34-1/2	185
*3C23X29-2-30	23	29	30	41-1/2	25	17-1/2	133	34-1/2	240
*3C29X29-2-30	29	29	30	44-1/2	31	17-1/2	151	34-1/2	340

(Specifications Subject To Change)



To order Spec-Line series, write SL at the start of the stock number.

North 421 Freya, Spokane, WA 99202 509-533-0808 / 800-726-0553 Fax: 509-535-1493 Website: <http://www.sspinc.net> E-mail: ssp@sspinc.net