

Item No.:	_____	Qty.	_____
Model No.:	_____		
Project No.:	_____		



12" Standard Series Sinks

12" Deep Standard Series Three Compartment Stainless Steel Sinks

- | | |
|---|---|
| <input type="checkbox"/> 3C16X20-2-18X | <input type="checkbox"/> 3C18X24-2-24X |
| <input type="checkbox"/> 3C18X18-2-18X | <input type="checkbox"/> 3C20X28-2-20X |
| <input type="checkbox"/> 3C18X18-2-24X | <input type="checkbox"/> 3C20X28-2-24X |
| <input type="checkbox"/> 3C18X24-2-18X | <input type="checkbox"/> 3C24X24-2-24X |

Options

- Faucets
- Tub Accessories
- Undershelves
- Rotary Drain Options
- H-Frame Stainless Steel Legs
- Stainless Steel Feet Options (bullet & flange styles)

Specifications

12" Standard Series Sink, with three compartments, both left and right drainboards, 10" backsplash, 16 gauge, 300 series stainless steel top and bowl, galvanized legs & adjustable feet, raised 1-1/2" rolled edge, includes 3-1/2" basket strainer, NSF approved

Features

- 16 Ga. stainless steel
- Welded construction for consistent metal gauge thickness throughout
- 12" (304.8 mm) deep tub with 3/4" (19.1 mm) coved radius tub corners
- All drainboards are die stamped for positive drainage
- 10" (254 mm) backsplash with tile ledge for easy installation
- Raised 1-1/2" (38.1 mm) diameter rolled edge
- 3-1/2" (88.9 mm) drain with basket strainers included
- 1-5/8" (41.3 mm) galvanized legs with 1" (25.4 mm) adjustable plastic feet
- 2" (50.8 mm) divider between each tub

Materials

- Sink & Bowl: 16 Ga. 300 series stainless steel
- Top: Drainboards and backsplash are 16 gauge 300 series stainless steel.
- Legs: All sinks furnished with 1-5/8" (41.3 mm) diameter heavy gauge galvanized tubing with plated galvanized leg gussets and high impact corrosion resistant fully adjustable 1" (25.4 mm) feet.

Mechanical

- 1-1/8" (28.6mm) faucet holes on 8" (203mm) centers
- 3-1/2" (88.9mm) waste drain opening

Flyer Product

In keeping with our policy of continuing product improvement, Elkay SSP reserves the right to change product specifications without notice.

This specification describes an Elkay SSP product with design, quality and functional benefits to the user. When making a comparison of other producers' offerings, be certain these features are not overlooked.



AUTOQUOTES

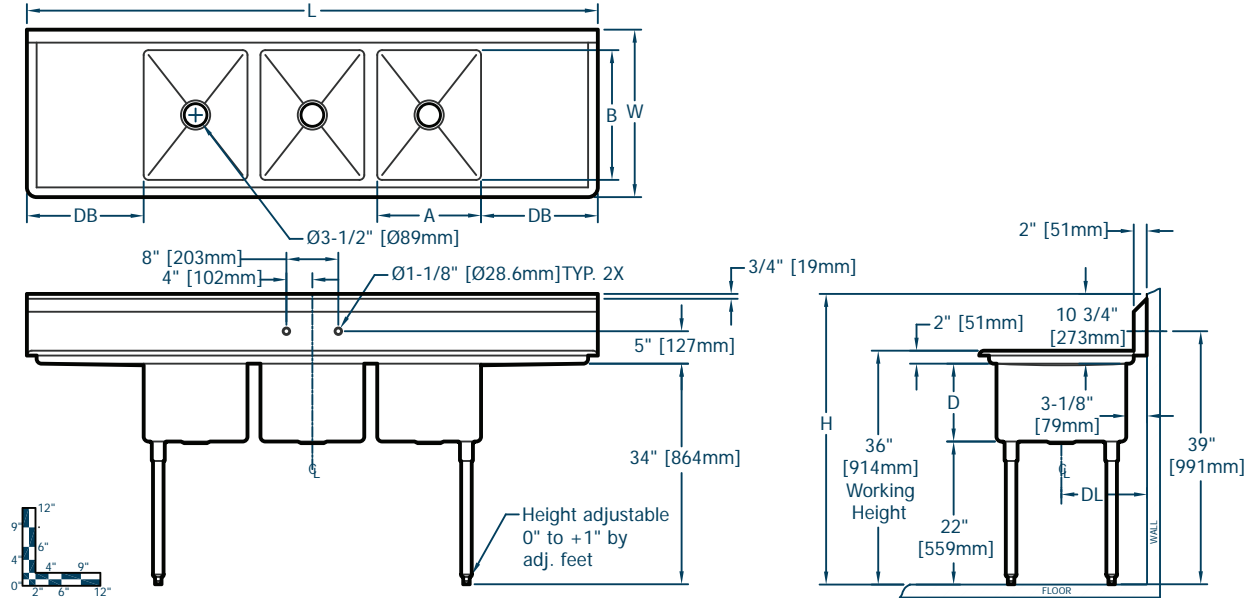




Item No.: _____ Qty. _____
 Model No.: _____
 Project No.: _____

12" Standard Series Sinks

12" Deep Standard Series Three Compartment Stainless Steel Sinks



12" Standard Series Sinks																		
Model Number	Bowl Dimensions						Overall Size						Drainboard		Drain Location		Weight	
	Width		Front-to-Back		Depth		Length		Width		Height		Location	Size	Location	lbs.	kg	
	A	mm	B	mm	D	mm	L	mm	W	mm	H	mm	in.	mm	in.	mm		
3C 16 X 20 2 18 X	16	406	20	508	12	305	88	2235	25.8	656	44.8	1137	L & R	18 457	13 330	216	98	
3C 18 X 18 2 18 X	18	457	18	457	12	305	94	2388	23.8	605	44.8	1137	L & R	18 457	12 305	224	101	
3C 18 X 18 2 24 X	18	457	18	457	12	305	106	2692	23.8	605	44.8	1137	L & R	24 610	12 305	239	108	
3C 18 X 24 2 18 X	18	457	24	610	12	305	94	2388	29.8	757	44.8	1137	L & R	18 457	15 381	248	112	
3C 18 X 24 2 24 X	18	457	24	610	12	305	106	2692	29.8	757	44.8	1137	L & R	24 610	15 381	264	120	
3C 20 X 28 2 20 X	20	508	28	508	12	305	104	2642	33.8	859	44.8	1137	L & R	20 508	17 432	283	129	
3C 20 X 28 2 24 X	20	508	28	508	12	305	112	2845	33.8	859	44.8	1137	L & R	24 610	17 432	293	133	
3C 24 X 24 2 24 X	24	610	24	610	12	305	124	3150	29.8	757	44.8	1137	L & R	24 610	15 381	307	139	

