

Item No.:	_____	Qty.	_____
Model No.:	_____		
Project No.:	_____		



Specifications

12" Standard Series Sink, with three compartments, both left and right drainboards, 10" backsplash, 16 gauge, 300 series stainless steel top and bowl, galvanized H-frame legs & adjustable feet, raised 1-1/2" rolled edge, includes 3-1/2" basket strainer, NSF approved

Features

- 16 Ga. stainless steel
- Welded construction for consistent metal gauge thickness throughout
- 12" (304.8 mm) deep tub with 3/4" (19.1 mm) coved radius tub corners
- All drainboards are die stamped for positive drainage
- 10" (254 mm) backsplash with tile ledge for easy installation
- Raised 1-1/2" (38.1 mm) diameter rolled edge
- 3-1/2" (88.9 mm) drain with basket strainers included
- 1-5/8" (41.3 mm) galvanized H-Frame legs with 1" (25.4 mm) adjustable plastic feet
- 2" (50.8 mm) divider between each tub

In keeping with our policy of continuing product improvement, Elkay SSP reserves the right to change product specifications without notice.

12" Standard Series Sinks

12" Deep Standard Series Three Compartment Stainless Steel Sinks

- | | |
|--|--|
| <input type="checkbox"/> 3C16X20-2-18 | <input type="checkbox"/> 3C24X30-2-30 |
| <input type="checkbox"/> 3C18X18-2-18 | <input type="checkbox"/> 3C30X30-2-30 |
| <input type="checkbox"/> 3C18X18-2-24 | |
| <input type="checkbox"/> 3C18X24-2-18 | |
| <input type="checkbox"/> 3C18X24-2-24 | |
| <input type="checkbox"/> 3C20X20-2-20 | |
| <input type="checkbox"/> 3C20X20-2-24 | |
| <input type="checkbox"/> 3C24X24-2-24 | |
| <input type="checkbox"/> 3C24X24-2-30 | |

Options

- Overshelves and Pot Racks
- Skirts & End Splashes
- Faucets
- Tub & Drainboard Modifications
- Tub Accessories
- Disposer Provisions
- Rotary Drain Options
- Undershelves
- Stainless Steel Leg Sockets
- H-Frame Stainless Steel Legs
- Stainless Steel Feet Options (bullet & flange styles)

Materials

- Sink & Bowl: 16 Ga. 300 series stainless steel
- Top: Drainboards and backsplash are 16 gauge 300 series stainless steel.
- Legs: All sinks furnished with 1-5/8" (41.3 mm) diameter heavy gauge galvanized tubing with plated galvanized leg gussets and high impact corrosion resistant fully adjustable 1" (25.4 mm) feet.

Mechanical

- 1-1/8" (38mm) faucet holes on 8" (203mm) centers
- 3-1/2" (89mm) waste drain opening



AUTOQUOTES



This specification describes an Elkay SSP product with design, quality and functional benefits to the user. When making a comparison of other producers' offerings, be certain these features are not overlooked.

Elkay SSP

421 N. Freya St.
Spokane, WA 99205
Phone: 800-726-0553 Fax: 509-535-1493

Website: www.sspinc.net
Email: sspsales@elkay.com
©2011 SSP INC.



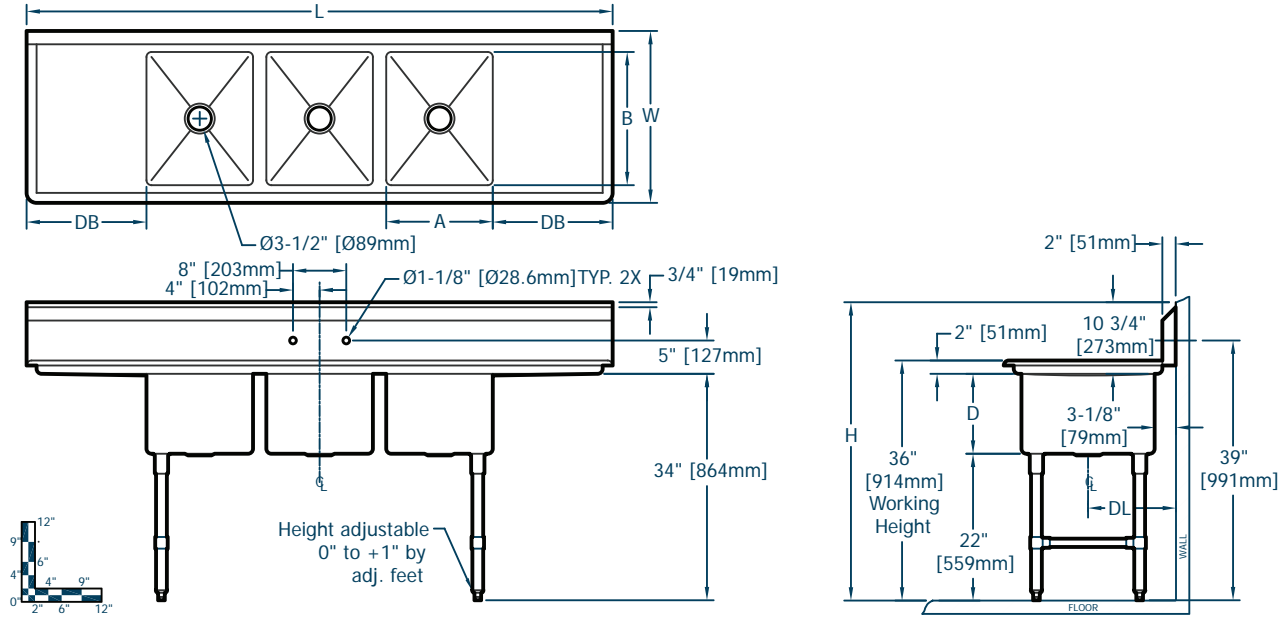
Item No.: _____ Qty. _____

Model No.: _____

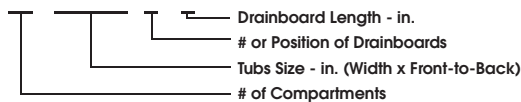
Project No.: _____

12" Standard Series Sinks

12" Deep Standard Series Three Compartment Stainless Steel Sinks



12" Standard Series Sinks																			
Model Number	Bowl Dimensions						Overall Size			Drainboard		Drain	Weight						
	Width		Front-to-Back		Depth		Length		Width		Height		Location	Size	Location	lbs.	kg		
	A	mm	B	mm	D	mm	L	mm	W	mm	H	mm	DB	DL	mm	mm			
3C 16 X 20 2 18	16	406	20	508	12	305	88	2235	25.8	656	44.8	1137	L & R	18	457	13.1	333	216	98
3C 18 X 18 2 18	18	457	18	457	12	305	94	2388	23.8	605	44.8	1137	L & R	18	457	12.1	308	224	101
3C 18 X 18 2 24	18	457	18	457	12	305	106	2692	23.8	605	44.8	1137	L & R	24	610	12.1	308	239	108
3C 18 X 24 2 18	18	457	24	610	12	305	94	2388	29.8	757	44.8	1137	L & R	18	457	15.1	384	248	112
3C 18 X 24 2 24	18	457	24	610	12	305	106	2692	29.8	757	44.8	1137	L & R	24	610	15.1	384	264	120
3C 18 X 30 2 18	18	457	30	762	12	305	100	2540	35.8	909	44.8	1137	L & R	18	457	18.1	460	275	125
3C 18 X 30 2 24	18	457	30	762	12	305	112	2845	35.8	909	44.8	1137	L & R	24	610	18.1	460	257	116
3C 20 X 20 2 20	20	508	20	508	12	305	104	2642	25.8	656	44.8	1137	L & R	20	508	13.1	333	263	119
3C 20 X 20 2 24	20	508	20	508	12	305	112	2845	25.8	656	44.8	1137	L & R	24	610	13.1	333	273	124
3C 20 X 28 2 20	20	508	28	508	12	305	104	2642	33.8	859	44.8	1137	L & R	20	508	17.1	435	283	129
3C 20 X 28 2 24	20	508	28	508	12	305	112	2845	33.8	859	44.8	1137	L & R	24	610	17.1	435	293	133
3C 24 X 24 2 24	24	610	24	610	12	305	124	3150	29.8	757	44.8	1137	L & R	24	610	15.1	384	307	139
3C 24 X 24 2 30	24	610	24	610	12	305	136	3454	29.8	757	44.8	1137	L & R	30	762	15.1	384	347	158
3C 24 X 30 2 30	24	610	30	762	12	305	136	3454	35.8	910	44.8	1137	L & R	30	762	18.1	460	381	173
3C 30 X 30 2 30	30	762	30	762	12	305	154	3912	35.8	910	44.8	1137	L & R	30	762	18.1	460	439	199



Elkay SSP
 421 N. Freya St.
 Spokane, WA 99205
 Phone: 800-726-0553 Fax: 509-535-1493

Website: www.sspinc.net
 Email: sspsales@elkay.com
 ©2011 SSP INC.