

Item No.:	_____	Qty. _____
Model No.:	_____	
Project No.:	_____	



## Specifications

12" Standard Series Sink, with three compartments, no drainboards, 10" backsplash, 16 gauge, 300 series stainless steel top and bowl, galvanized H-frame legs & adjustable feet, raised 1-1/2" rolled edge, includes 3-1/2" basket strainer, NSF approved

## Features

- 16 Ga. stainless steel
- Welded construction for consistent metal gauge thickness throughout
- 12" (304.8 mm) deep tub with 3/4" (19.1 mm) coved radius tub corners
- 10" (254 mm) backsplash with tile ledge for easy installation
- Raised 1-1/2" (38.1 mm) diameter rolled edge
- 3-1/2" (88.9 mm) drain with basket strainers included
- 1-5/8" (41.3 mm) galvanized H-frame legs with 1" (25.4 mm) adjustable plastic feet
- 2" (50.8 mm) divider between each tub

## 12" Standard Series Sinks

12" Deep Standard Series Three Compartment Stainless Steel Sinks

- 3C16X20-0
- 3C18X18-0
- 3C18X24-0
- 3C20X20-0
- 3C24X24-0
- 3C24X30-0
- 3C30X30-0

## Options

- Overshelves and Pot Racks
- Skirts & End Splashes
- Faucets
- Tub & Drainboard Modifications
- Tub Accessories
- Disposer Provisions
- Rotary Drain Options
- Undershelves
- Stainless Steel Leg Sockets
- H-Frame Stainless Steel Legs
- Stainless Steel Feet Options (bullet & flange styles)

## Materials

- Sink & Bowl: 16 Ga. 300 series stainless steel
- Top: Backsplash is 16 gauge 300 series stainless steel.
- Legs: All sinks furnished with 1-5/8" (41.3 mm) diameter heavy gauge galvanized tubing with plated galvanized leg gussets and high impact corrosion resistant fully adjustable 1" (25.4 mm) feet.

## Mechanical

- 1-1/8" (28.6mm) faucet holes on 8" (203.2mm) centers
- 3-1/2" (88.9mm) waste drain opening



AUTOQUOTES



In keeping with our policy of continuing product improvement, Elkay SSP reserves the right to change product specifications without notice.

This specification describes an Elkay SSP product with design, quality and functional benefits to the user. When making a comparison of other producers' offerings, be certain these features are not overlooked.

### Elkay SSP

421 N. Freya St.  
Spokane, WA 99205  
Phone: 800-726-0553 Fax: 509-535-1493

Website: [www.sspinc.net](http://www.sspinc.net)  
Email: [sspsales@elkay.com](mailto:sspsales@elkay.com)  
©2011 SSP INC.



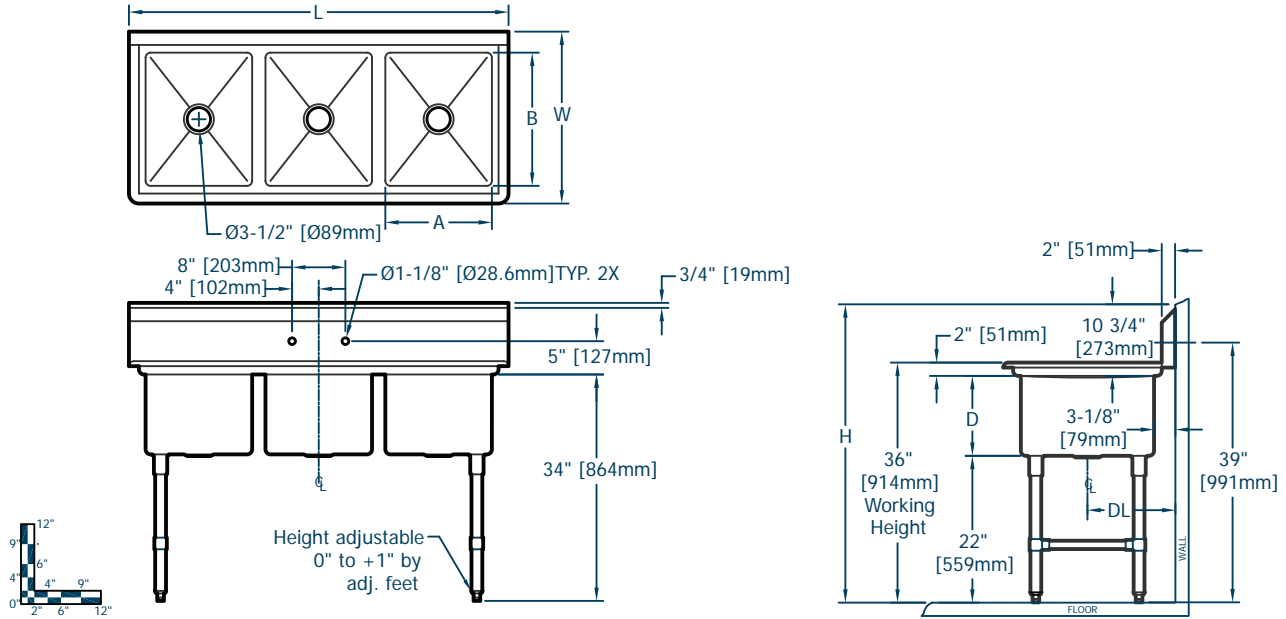
Item No.: \_\_\_\_\_ Qty. \_\_\_\_\_

Model No.: \_\_\_\_\_

Project No.: \_\_\_\_\_

## 12" Standard Series Sinks

12" Deep Standard Series Three Compartment Stainless Steel Sinks



12" Standard Series Sinks																			
Model Number	Bowl Dimensions						Overall Size			Drainboard		Drain	Weight						
	Width		Front-to-Back		Depth		Length		Width		Height		Location	Size	Location	lbs.	kg		
	A	mm	B	mm	D	mm	L	mm	W	mm	H	mm		DB	DL				
3C 16 X 20 0	16	406	20	508	12	305	57	1448	25.8	656	44.8	1137	No	0	0	13.1	333	175	79
3C 18 X 18 0	18	457	18	457	12	305	63	1600	23.8	605	44.8	1137	No	0	0	12.1	308	184	83
3C 18 X 24 0	18	457	24	610	12	305	63	1600	29.8	757	44.8	1137	No	0	0	15.1	384	204	93
3C 20 X 30 0	20	508	20	508	12	305	69	1753	25.8	656	44.8	1137	No	0	0	13.1	333	217	98
3C 24 X 24 0	24	610	24	610	12	305	81	2057	29.8	757	44.8	1137	No	0	0	15.1	384	247	112
3C 24 X 30 0	24	610	30	762	12	305	81	2057	35.8	910	44.8	1137	No	0	0	18.1	460	273	124
3C 30 X 30 0	30	762	30	762	12	305	99	2515	35.8	910	44.8	1137	No	0	0	18.1	460	330	150

