

Item No.:	_____	Qty.:	_____
Model No.:	_____		
Project No.:	_____		



## Budget Series Clean Dish Table

*Budget Series Left-to-Right Straight Clean Dish Table*

- |                                    |                                     |
|------------------------------------|-------------------------------------|
| <input type="checkbox"/> BCDT-24-R | <input type="checkbox"/> BCDT-84-R  |
| <input type="checkbox"/> BCDT-30-R | <input type="checkbox"/> BCDT-96-R  |
| <input type="checkbox"/> BCDT-36-R | <input type="checkbox"/> BCDT-108-R |
| <input type="checkbox"/> BCDT-48-R | <input type="checkbox"/> BCDT-120-R |
| <input type="checkbox"/> BCDT-60-R | <input type="checkbox"/> BCDT-132-R |
| <input type="checkbox"/> BCDT-72-R | <input type="checkbox"/> BCDT-144-R |

### Specifications

Budget Clean Dish Table, straight design, left-to-right operation, 10" high backsplash with 2" return, 16 gauge stainless steel top, galvanized legs with adjustable plastic feet, NSF approved

### Features

- 16 Ga. stainless steel
- Welded construction for consistent metal gauge thickness throughout
- 10" (254 mm) backsplash with tile edge for easy installation
- All dish tables are sloped for positive drainage
- Raised 1-1/2" (38.1 mm) diameter rolled edge
- 1-5/8" (41.3 mm) galvanized H-Frame legs with 1" (25.4 mm) adjustable plastic feet

### Options

- Pass Thru
- Additional weld-in bowls (please specify size)
- Quick Drain
- Stainless Steel H-frame Legs and Feet
- Scrap Baskets with Rack Slides
- Undershelves
- End Splash

\* For additional available options, contact Elkay SSP

### Materials

- Top: Backsplash is 16 gauge 430 series stainless steel
- Legs: All sinks furnished with 1-5/8" (41.3 mm) diameter heavy gauge galvanized tubing with galvanized leg gussets and high impact corrosion resistant fully adjustable 1" (25.4 mm) feet



**AUTOQUOTES**



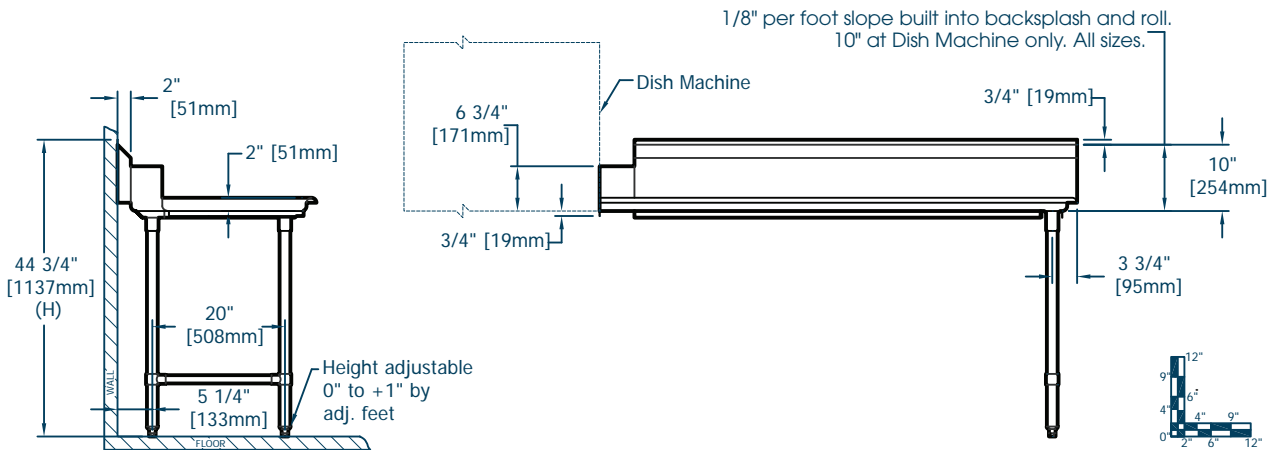
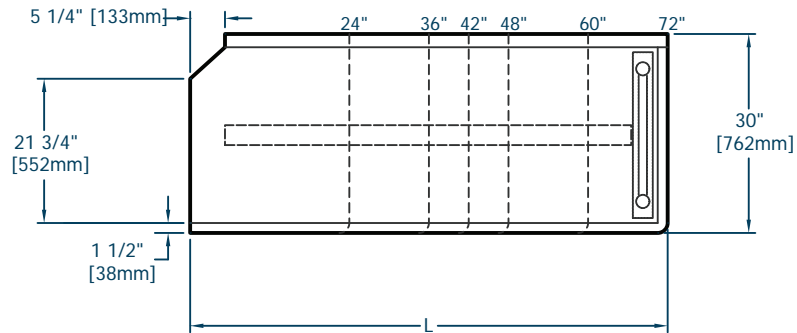
*In keeping with our policy of continuing product improvement, Elkay SSP reserves the right to change product specifications without notice.*

*This specification describes an Elkay SSP product with design, quality and functional benefits to the user. When making a comparison of other producers' offerings, be certain these features are not overlooked.*

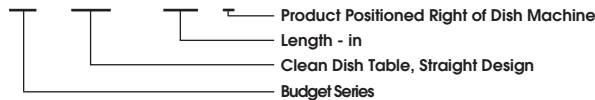


Item No.: \_\_\_\_\_ Qty.: \_\_\_\_\_  
 Model No.: \_\_\_\_\_  
 Project No.: \_\_\_\_\_

BCDT  
 24" - 72"



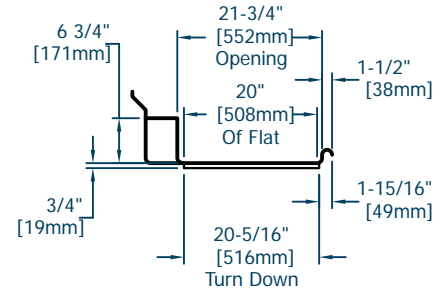
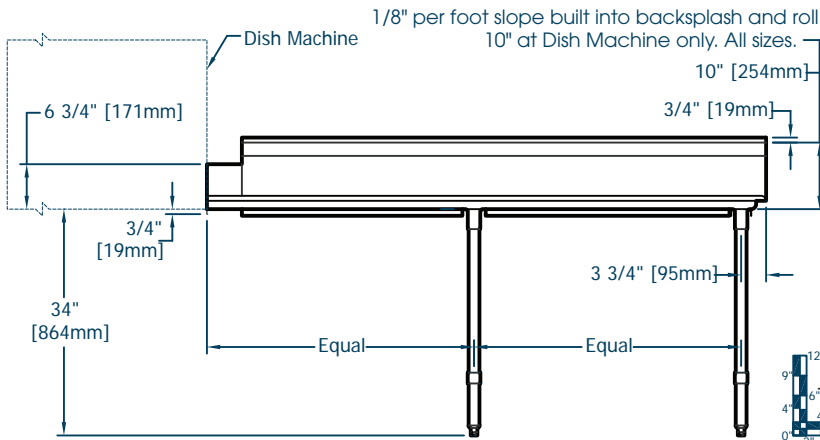
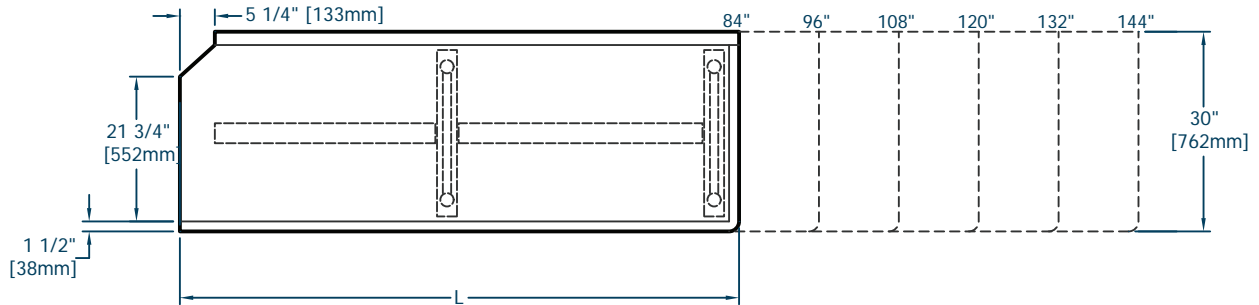
Budget Series Straight Clean Dish Tables									
Model Number	Length		Overall Size		Height		Weight		
	L		W		H		lbs.	kg	
	in.	mm	in.	mm	in.	mm			
B CDT - 24 - R	24	609.6	30	762	44.75	1137	61	28	
B CDT - 30 - R	30	762	30	762	45.75	1162	69	31	
B CDT - 36 - R	36	914.4	30	762	44.75	1137	80	36	
B CDT - 48 - R	48	1219	30	762	44.75	1137	96	44	
B CDT - 60 - R	60	1524	30	762	44.75	1137	117	53	
B CDT - 72 - R	72	1829	30	762	44.75	1137	133	61	
B CDT - 84 - R	84	2134	30	762	44.75	1137	169	77	
B CDT - 96 - R	96	2438	30	762	44.75	1137	186	84	
B CDT - 108 - R	108	2743	30	762	44.75	1137	210	95	
B CDT - 120 - R	120	3048	30	762	44.75	1137	227	103	
B CDT - 132 - R	132	3353	30	762	44.75	1137	253	115	
B CDT - 144 - R	144	3658	30	762	44.75	1137	270	123	



Elkay SSP  
 421 N. Freya St.  
 Spokane, WA 99205  
 Phone: 800-726-0553 Fax: 509-535-1493

Website: www.sspinc.net  
 Email: sspsales@elkay.com  
 ©2011 Elkay

BCDT  
 84" - 144"



**Dish Machine Connection Detail**

