

Item No.:	_____	Qty.:	_____
Model No.:	_____		
Project No.:	_____		



Budget Series Clean Dish Table

Budget Series Right-to-Left Straight Clean Dish Table

- | | |
|------------------------------------|-------------------------------------|
| <input type="checkbox"/> BCDT-24-L | <input type="checkbox"/> BCDT-84-L |
| <input type="checkbox"/> BCDT-30-L | <input type="checkbox"/> BCDT-96-L |
| <input type="checkbox"/> BCDT-36-L | <input type="checkbox"/> BCDT-108-L |
| <input type="checkbox"/> BCDT-48-L | <input type="checkbox"/> BCDT-120-L |
| <input type="checkbox"/> BCDT-60-L | <input type="checkbox"/> BCDT-132-L |
| <input type="checkbox"/> BCDT-72-L | <input type="checkbox"/> BCDT-144-L |

Specifications

Budget Clean Dish Table, straight design, right-to-left operation, 10" high backsplash with 2" return, 16/430 stainless steel top, galvanized legs with adjustable plastic feet, NSF approved

Features

- 16 Ga. stainless steel
- Welded construction for consistent metal gauge thickness throughout
- 10" (254 mm) backsplash with tile edge for easy installation
- All dish tables are sloped for positive drainage
- Raised 1-1/2" (38.1 mm) diameter rolled edge
- 1-5/8" (41.3 mm) galvanized H-Frame legs with 1" (25.4 mm) adjustable plastic feet

Options

- Pass Thru
- Additional weld-in bowls (please specify size)
- Quick Drain
- Stainless Steel H-frame Legs and Feet
- Scrap Baskets with Rack Slides
- Undershelves
- End Splash

* For additional available options, contact Elkay SSP

Materials

- Top: Backsplash is 16 gauge 430 series stainless steel
- Legs: All sinks furnished with 1-5/8" (41.3 mm) diameter heavy gauge galvanized tubing with galvanized leg gussets and high impact corrosion resistant fully adjustable 1" (25.4 mm) feet



AUTOQUOTES



In keeping with our policy of continuing product improvement, Elkay SSP reserves the right to change product specifications without notice.

This specification describes an Elkay SSP product with design, quality and functional benefits to the user. When making a comparison of other producers' offerings, be certain these features are not overlooked.

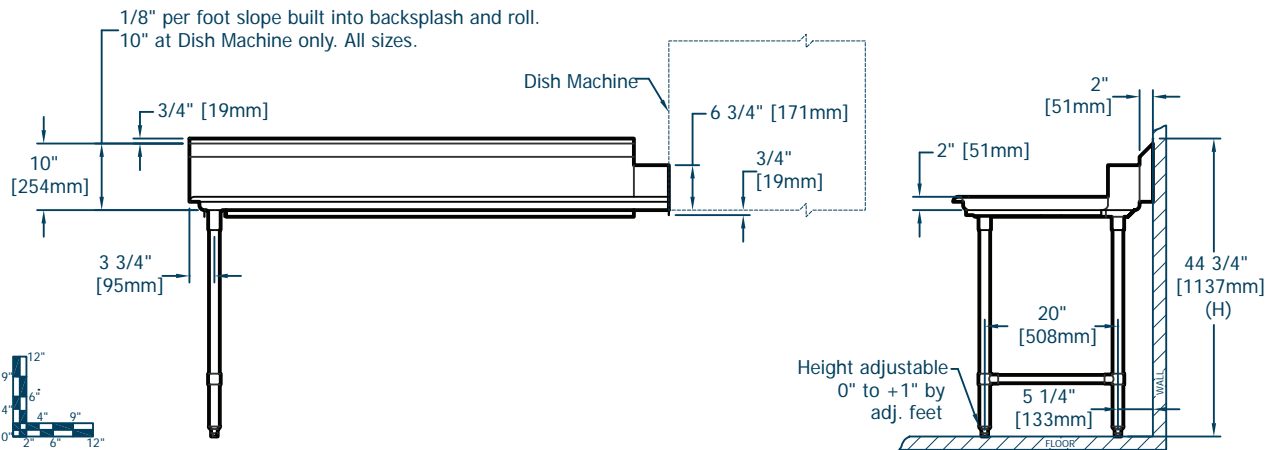
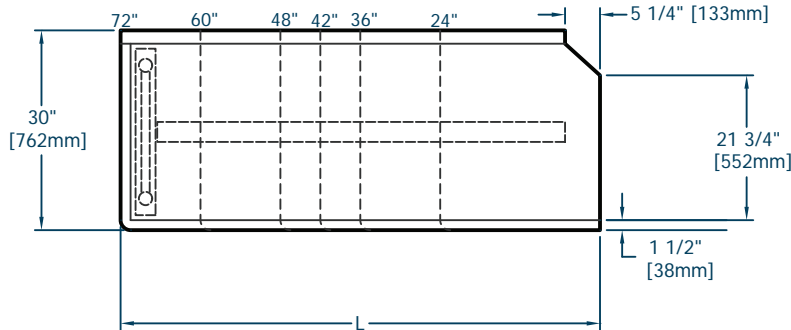


Item No.: _____ Qty.: _____
 Model No.: _____
 Project No.: _____

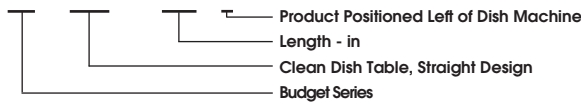
Budget Series Clean Dish Table

Budget Series Right-to-Left Straight Clean Dish Table

BCDT
24" - 72"

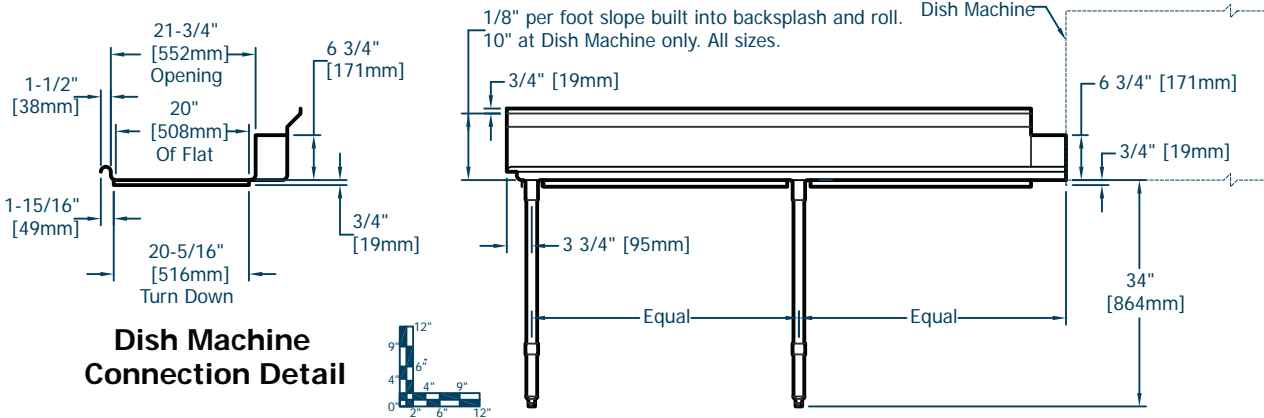
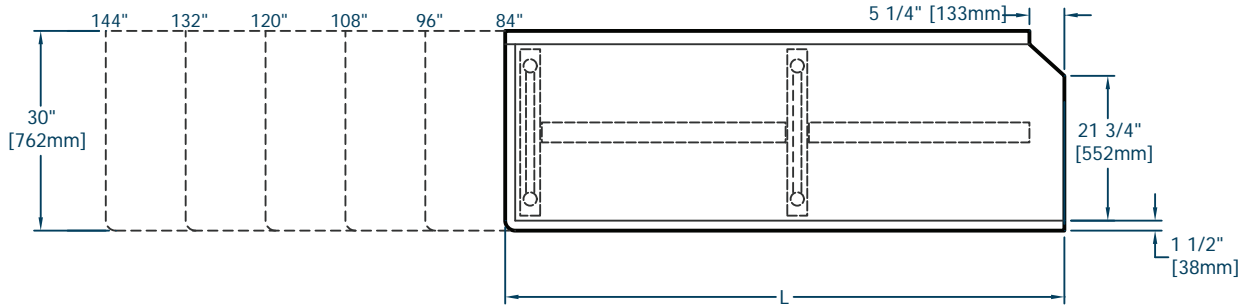


Budget Series Straight Clean Dish Tables										
Model Number	Length		Overall Size				Weight			
	L		W		H		lbs.	kg		
	in.	mm	in.	mm	in.	mm				
B CDT - 24 - L	24	609.6	30	762	44.75	1137	61	28		
B CDT - 30 - L	30	762	30	762	45.75	1162	69	31		
B CDT - 36 - L	36	914.4	30	762	44.75	1137	80	36		
B CDT - 48 - L	48	1219	30	762	44.75	1137	96	44		
B CDT - 60 - L	60	1524	30	762	44.75	1137	117	53		
B CDT - 72 - L	72	1829	30	762	44.75	1137	133	61		
B CDT - 84 - L	84	2134	30	762	44.75	1137	169	77		
B CDT - 96 - L	96	2438	30	762	44.75	1137	186	84		
B CDT - 108 - L	108	2743	30	762	44.75	1137	210	95		
B CDT - 120 - L	120	3048	30	762	44.75	1137	227	103		
B CDT - 132 - L	132	3353	30	762	44.75	1137	253	115		
B CDT - 144 - L	144	3658	30	762	44.75	1137	270	123		



Elkay SSP
 421 N. Freya St.
 Spokane, WA 99205
 Phone: 800-726-0553 Fax: 509-535-1493

Website: www.sspinc.net
 Email: sspsales@elkay.com
 ©2011 Elkay



Dish Machine Connection Detail