

Item No.:	_____	Qty.:	_____
Model No.:	_____		
Project No.:	_____		



Specifications

Budget L-Shaped Soiled Dish Table, island design, left-to-right operation, 10" high backsplash with 2" return, raised 10" landing edge, 16/430 stainless steel top & pre-rinse sink, galvanized bracing & legs with adjustable plastic feet (specify faucet hole location), NSF approved

Features

- 16 Ga. stainless steel
- Welded construction for consistent metal gauge thickness throughout
- 10" (254 mm) backsplash with tile edge for easy installation
- All dish tables are sloped for positive drainage
- Raised 1-1/2" (38.1 mm) diameter rolled edge
- 1-5/8" (41.3 mm) galvanized H-Frame legs with
- 1" (25.4 mm) adjustable plastic feet

Budget Series Soiled Dish Table

Budget Left-to-Right L-Shaped Island Design Soiled Dish Table with Landing Edge

- | | |
|--------------------------------------|---------------------------------------|
| <input type="checkbox"/> BDDTLE-36-L | <input type="checkbox"/> BDDTLE-96-L |
| <input type="checkbox"/> BDDTLE-48-L | <input type="checkbox"/> BDDTLE-108-L |
| <input type="checkbox"/> BDDTLE-60-L | <input type="checkbox"/> BDDTLE-120-L |
| <input type="checkbox"/> BDDTLE-72-L | <input type="checkbox"/> BDDTLE-132-L |
| <input type="checkbox"/> BDDTLE-84-L | <input type="checkbox"/> BDDTLE-144-L |

Options

- Pass Thru
- Additional weld-in bowls (please specify size)
- Slopped Scrap Trough
- Quick Drain
- Stainless Steel H-frame Legs and Flanged Feet
- Scrap Baskets with Rack Slides
- Undershelves
- End Splash

* For additional available options, contact Elkay SSP

Materials

- Top: Bowl and backsplash are 16 gauge 430 series stainless steel
- Legs: All sinks furnished with 1-5/8" (41.3 mm) diameter heavy gauge galvanized tubing with galvanized leg gussets and high impact corrosion resistant fully adjustable 1" (25.4 mm) feet



AUTOQUOTES



In keeping with our policy of continuing product improvement, Elkay SSP reserves the right to change product specifications without notice.

This specification describes an Elkay SSP product with design, quality and functional benefits to the user. When making a comparison of other producers' offerings, be certain these features are not overlooked.

Elkay SSP
 421 N. Freya St.
 Spokane, WA 99205
 Phone: 800-726-0553 Fax: 509-535-1493

Website: www.sspinc.net
 Email: sspsales@elkay.com
 ©2011 Elkay



Item No.: _____ Qty.: _____
 Model No.: _____
 Project No.: _____

Budget Series Soiled Dish Table

Budget Left-to-Right L-Shaped Island Design Soiled Dish Table with Landing Edge

BDDTLE
36" - 60"

Faucet Hole Options

Specify at time of ordering

Back Splash Mounted

(2) 1-1/8" Dia. holes, 8" on center
Reference Side View

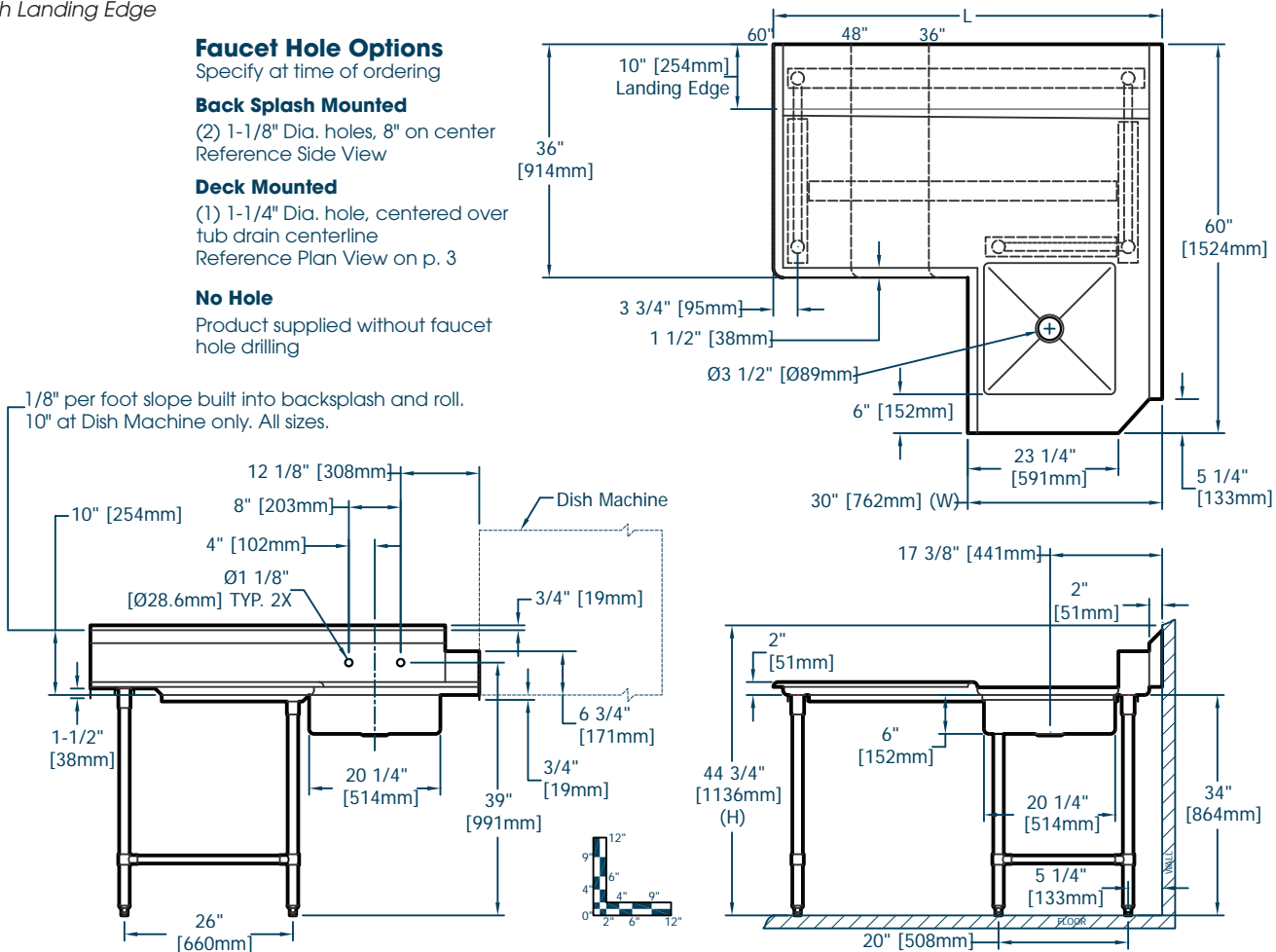
Deck Mounted

(1) 1-1/4" Dia. hole, centered over tub drain centerline
Reference Plan View on p. 3

No Hole

Product supplied without faucet hole drilling

1/8" per foot slope built into backsplash and roll.
10" at Dish Machine only. All sizes.



Budget Series Soiled L-Shaped Island Design Dish Tables with Landing Edge

Model Number	Bowl Dimensions			Overall Size			Drain		Weight	
	Width	Front-to-Back	Depth	Length	Width	Height	Location		lbs.	kg
	A in. mm	B in. mm	D in. mm	L in. mm	W in. mm	H in. mm	DL in. mm			
B DDTLE - 36 - L	20.25 514	20.25 514	6 152	36 914.4	30 762	44.75 1137	17 441	145 66		
B DDTLE - 48 - L	20.25 514	20.25 514	6 152	48 1219	30 762	44.75 1137	17 441	166 75		
B DDTLE - 60 - L	20.25 514	20.25 514	6 152	60 1524	30 762	44.75 1137	17 441	188 85		
B DDTLE - 72 - L	20.25 514	20.25 514	6 152	72 1829	30 762	44.75 1137	17 441	203 92		
B DDTLE - 84 - L	20.25 514	20.25 514	6 152	84 2134	30 762	44.75 1137	17 441	227 103		
B DDTLE - 96 - L	20.25 514	20.25 514	6 152	96 2438	30 762	44.75 1137	17 441	245 111		
B DDTLE - 108 - L	20.25 514	20.25 514	6 152	108 2743	30 762	44.75 1137	17 441	283 129		
B DDTLE - 120 - L	20.25 514	20.25 514	6 152	120 3048	30 762	44.75 1137	17 441	302 137		
B DDTLE - 132 - L	20.25 514	20.25 514	6 152	132 3353	30 762	44.75 1137	17 441	329 149		
B DDTLE - 144 - L	20.25 514	20.25 514	6 152	144 3658	30 762	44.75 1137	17 441	348 158		



Elkay SSP
 421 N. Freya St.
 Spokane, WA 99205
 Phone: 800-726-0553 Fax: 509-535-1493

Website: www.sspinc.net
 Email: sspsales@elkay.com
 ©2011 Elkay

