

Item No.:	_____	Qty.:	_____
Model No.:	_____		
Project No.:	_____		



## Specifications

Budget L-Shaped Soiled Dish Table, island design, right-to-left operation, 10" high backsplash with 2" return, raised 10" landing edge, 16/430 stainless steel top & pre-rinse sink, galvanized bracing & legs with adjustable plastic feet (specify faucet hole location), NSF approved

## Features

- 16 Ga. stainless steel
- Welded construction for consistent metal gauge thickness throughout
- 10" (254 mm) backsplash with tile edge for easy installation
- All dish tables are sloped for positive drainage
- Raised 1-1/2" (38.1 mm) diameter rolled edge
- 1-5/8" (41.3 mm) galvanized H-Frame legs with
- 1" (25.4 mm) adjustable plastic feet

## Budget Series Soiled Dish Table

*Budget Right-to-Left L-Shaped Island Design Soiled Dish Table with Landing Edge*

- |   |  |
|---|--|
| <input type="checkbox"/> <b>BDDTLE-36-R</b> | <input type="checkbox"/> <b>BDDTLE-96-R</b>  |
| <input type="checkbox"/> <b>BDDTLE-48-R</b> | <input type="checkbox"/> <b>BDDTLE-108-R</b> |
| <input type="checkbox"/> <b>BDDTLE-60-R</b> | <input type="checkbox"/> <b>BDDTLE-120-R</b> |
| <input type="checkbox"/> <b>BDDTLE-72-R</b> | <input type="checkbox"/> <b>BDDTLE-132-R</b> |
| <input type="checkbox"/> <b>BDDTLE-84-R</b> | <input type="checkbox"/> <b>BDDTLE-144-R</b> |

## Options

- Pass Thru
- Additional weld-in bowls (please specify size)
- Slopped Scrap Trough
- Quick Drain
- Stainless Steel H-frame Legs and Flanged Feet
- Scrap Baskets with Rack Slides
- Undershelves
- End Splash

\* For additional available options, contact Elkay SSP

## Materials

- Top: Bowl and backsplash are 16 gauge 430 series stainless steel.
- Legs: All sinks furnished with 1-5/8" (41.3 mm) diameter heavy gauge galvanized tubing with galvanized leg gussets and high impact corrosion resistant fully adjustable 1" (25.4 mm) feet.



**AUTOQUOTES**



*In keeping with our policy of continuing product improvement, Elkay SSP reserves the right to change product specifications without notice.*

*This specification describes an Elkay SSP product with design, quality and functional benefits to the user. When making a comparison of other producers' offerings, be certain these features are not overlooked.*

**Elkay SSP**  
 421 N. Freya St.  
 Spokane, WA 99205  
 Phone: 800-726-0553 Fax: 509-535-1493

Website: [www.sspinc.net](http://www.sspinc.net)  
 Email: [sspsales@elkay.com](mailto:sspsales@elkay.com)  
 ©2011 Elkay

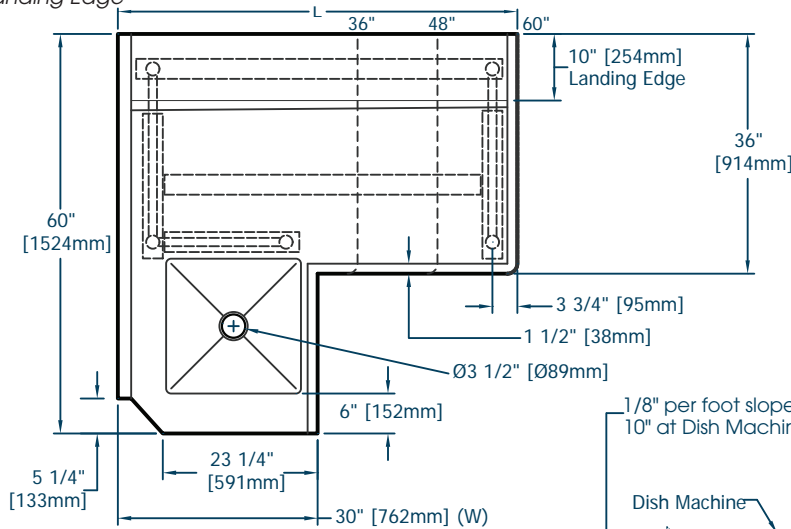


Item No.: \_\_\_\_\_ Qty.: \_\_\_\_\_  
 Model No.: \_\_\_\_\_  
 Project No.: \_\_\_\_\_

## Budget Series Soiled Dish Table

Budget Right-to-Left L-Shaped Island Design Soiled Dish Table with Landing Edge

BDDTLE  
36" - 60"



### Faucet Hole Options

Specify at time of ordering

#### Back Splash Mounted

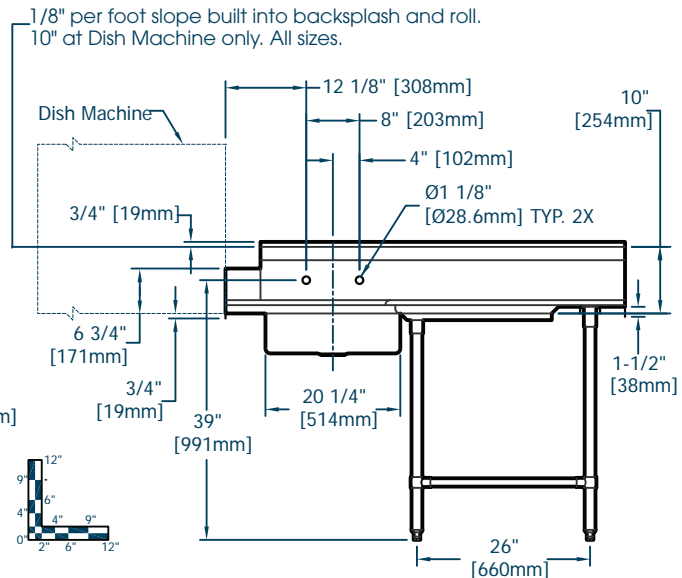
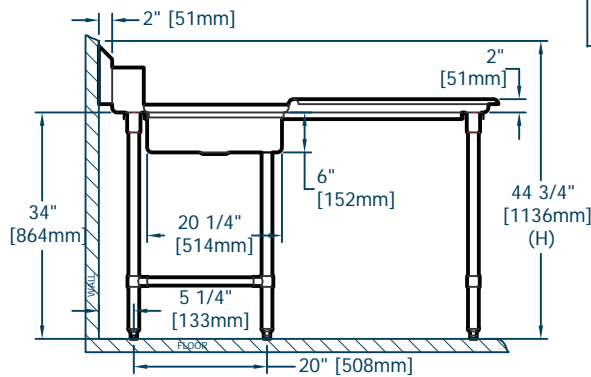
(2) 1-1/8" Dia. holes, 8" on center  
Reference Side View

#### Deck Mounted

(1) 1-1/4" Dia. hole, centered over tub drain centerline  
Reference Plan View on p. 3

#### No Hole

Product supplied without faucet hole drilling



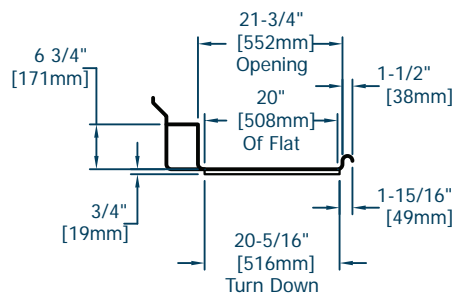
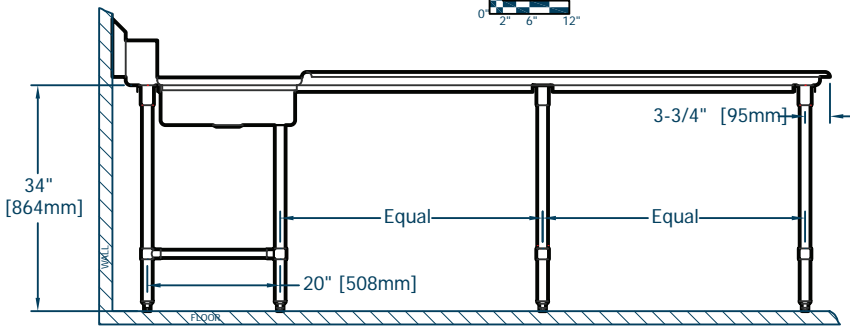
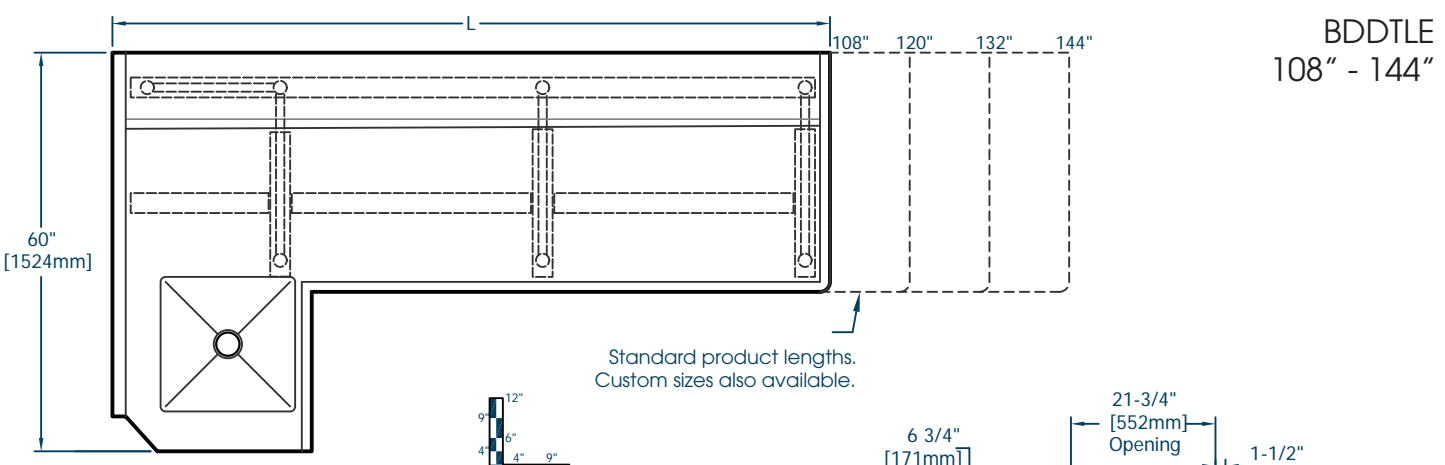
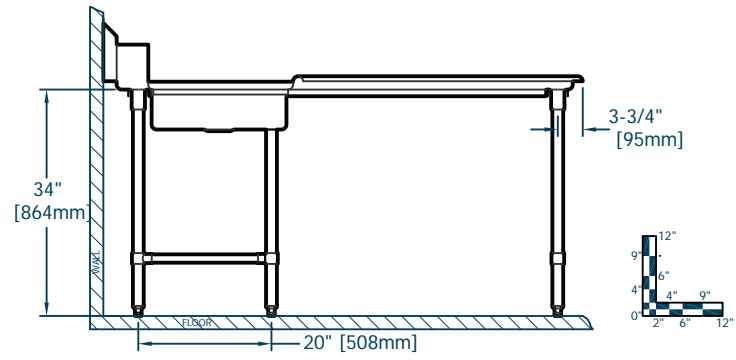
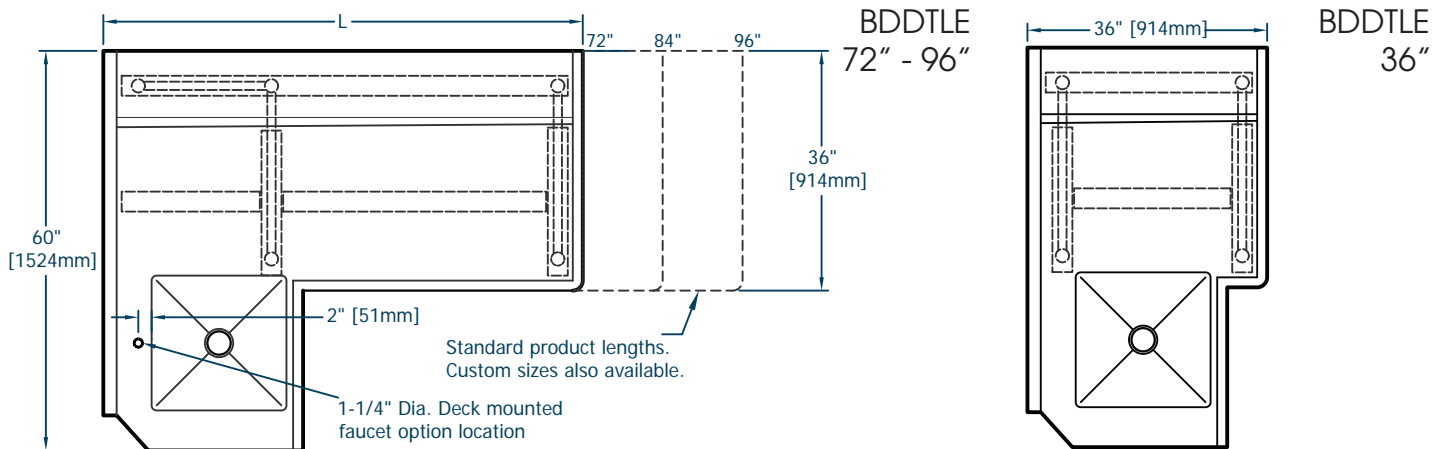
Budget Series Soiled L-Shaped Island Design Dish Tables with Landing Edge

Model Number	Bowl Dimensions			Overall Size			Drain Location DL	Weight					
	Width A	Front-to-Back B	Depth D	Length L	Width W	Height H		in.	kg				
B DDTLE - 36 - R	20.25	514	6	36	914.4	30	762	44.75	1137	17	441	145	66
B DDTLE - 48 - R	20.25	514	6	48	1219	30	762	44.75	1137	17	441	166	75
B DDTLE - 60 - R	20.25	514	6	60	1524	30	762	44.75	1137	17	441	188	85
B DDTLE - 72 - R	20.25	514	6	72	1829	30	762	44.75	1137	17	441	203	92
B DDTLE - 84 - R	20.25	514	6	84	2134	30	762	44.75	1137	17	441	227	103
B DDTLE - 96 - R	20.25	514	6	96	2438	30	762	44.75	1137	17	441	245	111
B DDTLE - 108 - R	20.25	514	6	108	2743	30	762	44.75	1137	17	441	283	129
B DDTLE - 120 - R	20.25	514	6	120	3048	30	762	44.75	1137	17	441	302	137
B DDTLE - 132 - R	20.25	514	6	132	3353	30	762	44.75	1137	17	441	329	149
B DDTLE - 144 - R	20.25	514	6	144	3658	30	762	44.75	1137	17	441	348	158



Elkay SSP  
 421 N. Freya St.  
 Spokane, WA 99205  
 Phone: 800-726-0553 Fax: 509-535-1493

Website: www.sspinc.net  
 Email: sspsales@elkay.com  
 ©2011 Elkay



**Dish Machine Connection Detail**