

Item No.:	_____	Qty.	_____
Model No.:	_____		
Project No.:	_____		



Specifications

Budget L-Shaped Soiled Dish Table, island design, left-to-right operation, 10" high backsplash with 2" return, 16/430 stainless steel top & pre-rinse sink, galvanized bracing & legs with adjustable plastic feet (specify faucet hole location), NSF approved

Features

- 16 Ga. stainless steel
- Welded construction for consistent metal gauge thickness throughout
- 10" (254 mm) backsplash with tile edge for easy installation
- All dish tables are sloped for positive drainage
- Raised 1-1/2" (38.1 mm) diameter rolled edge
- 1-5/8" (41.3 mm) galvanized H-Frame legs with 1" (25.4 mm) adjustable plastic feet

Budget Series Soiled Dish Table

Budget Left-to-Right L-Shaped Island Design Soiled Dish Table

- | | |
|--------------------------------------|---------------------------------------|
| <input type="checkbox"/> BDDTLI-24-L | <input type="checkbox"/> BDDTLI-84-L |
| <input type="checkbox"/> BDDTLI-30-L | <input type="checkbox"/> BDDTLI-96-L |
| <input type="checkbox"/> BDDTLI-36-L | <input type="checkbox"/> BDDTLI-108-L |
| <input type="checkbox"/> BDDTLI-48-L | <input type="checkbox"/> BDDTLI-120-L |
| <input type="checkbox"/> BDDTLI-60-L | <input type="checkbox"/> BDDTLI-132-L |
| <input type="checkbox"/> BDDTLI-72-L | <input type="checkbox"/> BDDTLI-144-L |

Options

- Pass Thru
- Additional weld-in bowls (please specify size)
- Slopped Scrap Trough
- Quick Drain
- Stainless Steel H-frame Legs and Flanged Feet
- Scrap Baskets with Rack Slides
- Undershelves
- End Splash

* For additional available options, contact Elkay SSP

Materials

- Top: Bowl and backsplash is 16 gauge 430 series stainless steel.
- Legs: All sinks furnished with 1-5/8" (41.3 mm) diameter heavy gauge galvanized tubing with galvanized leg gussets and high impact corrosion resistant fully adjustable 1" (25.4 mm) feet



AUTOQUOTES



In keeping with our policy of continuing product improvement, Elkay SSP reserves the right to change product specifications without notice.

This specification describes an Elkay SSP product with design, quality and functional benefits to the user. When making a comparison of other producers' offerings, be certain these features are not overlooked.

Elkay SSP
 421 N. Freya St.
 Spokane, WA 99205
 Phone: 800-726-0553 Fax: 509-535-1493

Website: www.sspinc.net
 Email: sspsales@elkay.com
 ©2011 Elkay



Item No.: _____ Qty. _____

Model No.: _____

Project No.: _____

Budget Series Soiled Dish Table

Budget Left-to-Right L-Shaped Island Design Soiled Dish Table

BDDTLI
48" - 72"

Faucet Hole Options

Specify at time of ordering

Back Splash Mounted

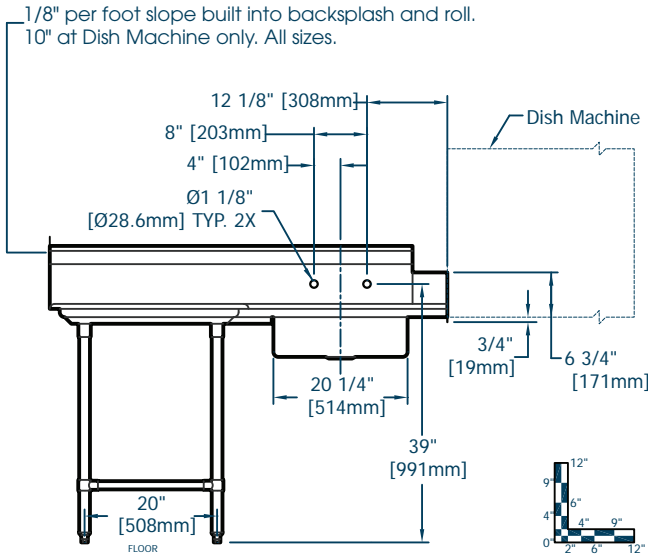
(2) 1-1/8" Dia. holes, 8" on center
Reference Side View

Deck Mounted

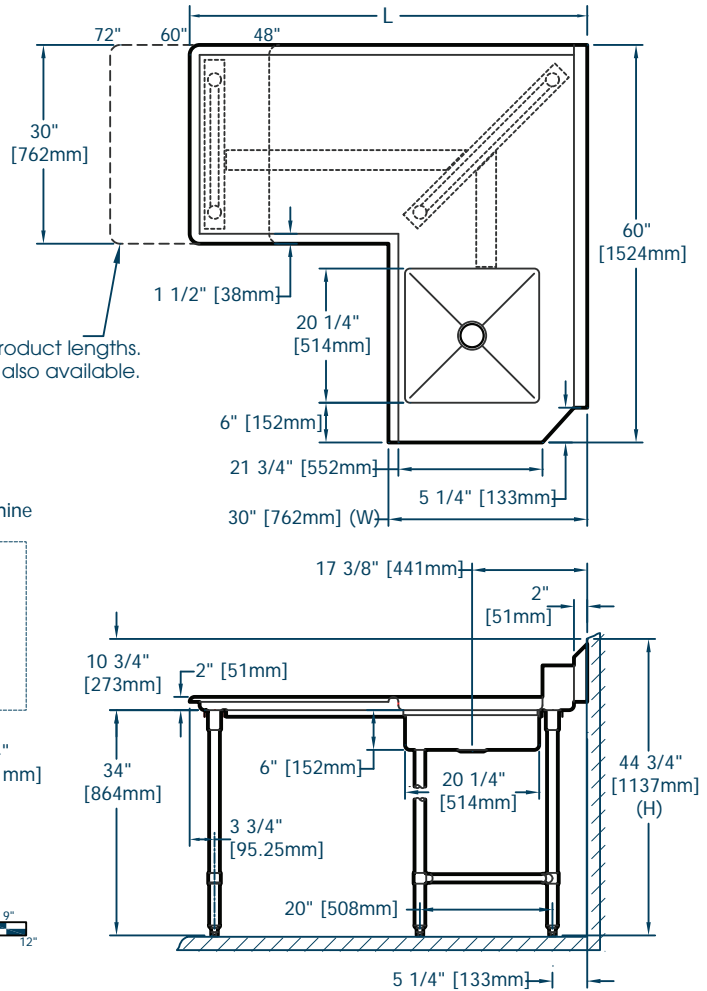
(1) 1-1/8" Dia. hole, centered over
tub drain centerline
Reference Plan View on p. 3

No Hole

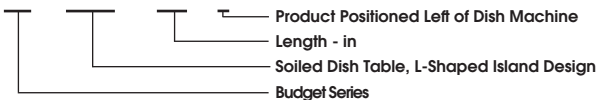
Product supplied without faucet
hole drilling



Standard product lengths.
Custom sizes also available.



Budget Series Soiled L-Shaped Island Design Dish Tables																	
Model Number	Bowl Dimensions						Overall Size						Drain		Weight		
	Width		Front-to-Back		Depth		Length		Width		Height		Location				
	A	B	A	B	D	L	W	H	DL	DL	DL	DL	lbs.	kg			
	in.	mm	in.	mm	in.	mm	in.	mm	in.	mm	in.	mm	in.	mm	in.	mm	
B DDTLI - 36 - L	20.25	514	20.25	514	6	152	36	914.4	30	762	44.75	1137	17	441	145	66	
B DDTLI - 48 - L	20.25	514	20.25	514	6	152	48	1219	30	762	44.75	1137	17	441	163	74	
B DDTLI - 60 - L	20.25	514	20.25	514	6	152	60	1524	30	762	44.75	1137	17	441	184	84	
B DDTLI - 72 - L	20.25	514	20.25	514	6	152	72	1829	30	762	44.75	1137	17	441	199	91	
B DDTLI - 84 - L	20.25	514	20.25	514	6	152	84	2134	30	762	44.75	1137	17	441	229	104	
B DDTLI - 96 - L	20.25	514	20.25	514	6	152	96	2438	30	762	44.75	1137	17	441	245	111	
B DDTLI - 108 - L	20.25	514	20.25	514	6	152	108	2743	30	762	44.75	1137	17	441	282	128	
B DDTLI - 120 - L	20.25	514	20.25	514	6	152	120	3048	30	762	44.75	1137	17	441	299	136	
B DDTLI - 132 - L	20.25	514	20.25	514	6	152	132	3353	30	762	44.75	1137	17	441	324	147	
B DDTLI - 144 - L	20.25	514	20.25	514	6	152	144	3658	30	762	44.75	1137	17	441	343	156	



Elkay SSP

421 N. Freya St.
Spokane, WA 99205
Phone: 800-726-0553 Fax: 509-535-1493

Website: www.sspinc.net
Email: sspsales@elkay.com
©2011 Elkay

