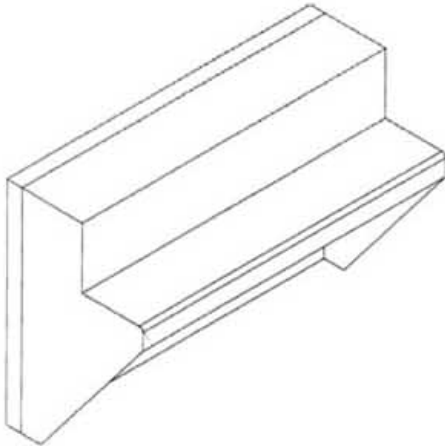




CLASS I
BACK DRAFT HOODS



FEATURES:

CONSTRUCTED of 18 gauge stainless steel.

INCLUDES: UL approved aluminum filters, stainless steel hanging brackets, 3" air space and grease cup(s).

All visible welds are ground and polished to no. 4 finish.

STANDARD SIZES (in.)

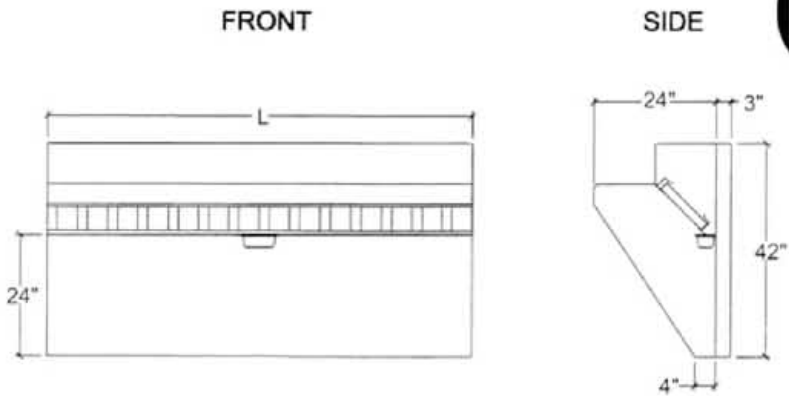
MODEL	LENGTH	WIDTH	HEIGHT
BDH-48-1	48	27	42
BDH-60-1	60		
BDH-72-1	72		
BDH-84-1	84		
BDH-96-1	96		
BDH-108-1	108		
BDH-120-1	120		
BDH-132-1	132		
BDH-144-1	144		

CUSTOM SIZES AVAILABLE!

SPECIFICATIONS

DATE: _____ MODEL NO: _____
 PROJECT: _____

CLASS I BACK DRAFT HOODS



DIMENSIONS (in.)

MODEL	LENGTH	DUCT OPENING	SP AT FILTERS	# FILTERS	CFM'S	WIDTH	HEIGHT	APPROX. WT. (lbs.)
BDH-48-1	48	96 sq. in.	0.38	2	1200	27	42	150
BDH-60-1	60	120 sq. in.	0.26	3	1500			175
BDH-72-1	72	144 sq. in.	0.38	3	1800			200
BDH-84-1	84	168 sq. in.	0.29	4	2100			225
BDH-96-1	96	192 sq. in.	0.38	4	2400			250
BDH-108-1	108	216 sq. in.	0.30	5	2700			275
BDH-120-1	120	240 sq. in.	0.38	5	3000			300
BDH-132-1	132	264 sq. in.	0.32	6	3300			325
BDH-144-1	144	288 sq. in.	0.28	7	3600			350

(Specifications Subject To Change)



North 421 Freya, Spokane, WA 99202 509-533-0808 / 800-726-0553 Fax: 509-535-1493 Website: <http://www.sspinc.net> E-mail: ssp@sspinc.net