



**CABINET BASE WORK TABLE
(FLAT TOP &
BACKSPLASH DESIGN)
(SEMI-ENCLOSED)**



FEATURES:

TOP: 16 GAUGE 304 STAINLESS STEEL WITH GALVANIZED UNDERSTRUCTURE

BACKSPLASH: 4" TALL FROM THE DECK WITH A 1" RETURN TO THE WALL

FLAT TOP: 1-3/4" TURN-DOWN ON ALL FOUR SIDES

BODY & SHELVES: 18 GAUGE 304 STAINLESS STEEL CONSTRUCTION

LEGS: 6" STAINLESS STEEL LEGS WITH ADJUSTABLE FEET

STANDARD SIZES (in.)

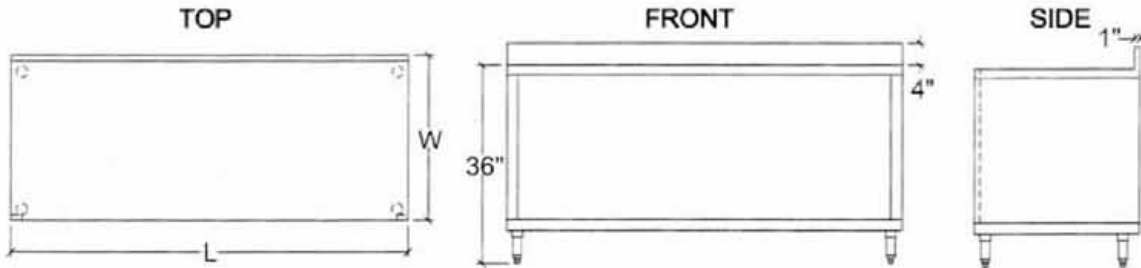
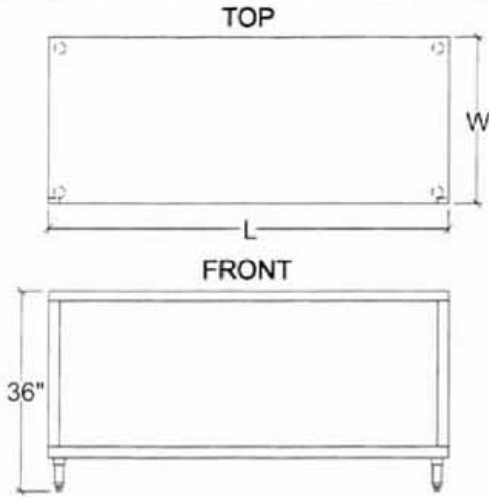
WIDTH	STS MODELS	BS MODELS	LENGTH	HEIGHT
24	CAB24S48-STS	CAB24S48-BS	48	36
	CAB24S60-STS	CAB24S60-BS	60	
	CAB24S72-STS	CAB24S72-BS	72	
	CAB24S84-STS	CAB24S84-BS	84	
	CAB24S96-STS	CAB24S96-BS	96	
	CAB24S108-STS	CAB24S108-BS	108	
	CAB24S120-STS	CAB24S120-BS	120	
30	CAB30S48-STS	CAB30S48-BS	48	
	CAB30S60-STS	CAB30S60-BS	60	
	CAB30S72-STS	CAB30S72-BS	72	
	CAB30S84-STS	CAB30S84-BS	84	
	CAB30S96-STS	CAB30S96-BS	96	
	CAB30S108-STS	CAB30S108-BS	108	
	CAB30S120-STS	CAB30S120-BS	120	

SPECIFICATIONS

DATE: _____ MODEL NO: _____

PROJECT: _____

CABINET BASE WORK TABLE (FLAT TOP & BACKSPLASH DESIGN/SEMI-ENCLOSED)



DIMENSIONS (in.)

WIDTH	STS MODELS	LENGTH	APPROX. WEIGHT
24	CAB24S48-STS	48	220
	CAB24S60-STS	60	270
	CAB24S72-STS	72	320
	CAB24S84-STS	84	375
	CAB24S96-STS	96	435
	CAB24S108-STS	108	485
	CAB24S120-STS	120	520
30	CAB30S48-STS	48	240
	CAB30S60-STS	60	290
	CAB30S72-STS	72	370
	CAB30S84-STS	84	420
	CAB30S96-STS	96	470
	CAB30S108-STS	108	520
	CAB30S120-STS	120	570

DIMENSIONS (in.)

WIDTH	BS MODELS	LENGTH	APPROX. WEIGHT
24	CAB24S48-BS	48	220
	CAB24S60-BS	60	270
	CAB24S72-BS	72	320
	CAB24S84-BS	84	375
	CAB24S96-BS	96	435
	CAB24S108-BS	108	485
	CAB24S120-BS	120	520
30	CAB30S48-BS	48	240
	CAB30S60-BS	60	290
	CAB30S72-BS	72	370
	CAB30S84-BS	84	420
	CAB30S96-BS	96	470
	CAB30S108-BS	108	520
	CAB30S120-BS	120	570

(Specifications Subject To Change)



North 421 Freys, Spokane, WA 99202 509-533-0808 / 800-726-0553 Fax: 509-535-1493 Website: <http://www.sspinc.net> E-mail: ssp@ssprc.net