

Item No.:	_____	Qty.:	_____
Model No.:	_____		
Project No.:	_____		



## Specifications

Standard Clean Dish Table, straight design, right-to-left operation, 10" high backsplash with 2" return, 16 gauge stainless steel top, galvanized legs with adjustable plastic feet, NSF approved

## Features

- 16 Ga. stainless steel
- Welded construction for consistent metal gauge thickness throughout
- 10" (254 mm) backsplash with tile edge for easy installation
- All dish tables are sloped for positive drainage
- Raised 1-1/2" (38.1 mm) diameter rolled edge
- 1-5/8" (41.3 mm) galvanized H-Frame legs with 1" (25.4 mm) adjustable plastic feet

## Standard Series Clean Dish Table

*Standard Series Right-to-Left Straight Clean Dish Table*

- |                                   |                                    |
|-----------------------------------|------------------------------------|
| <input type="checkbox"/> CDT-24-L | <input type="checkbox"/> CDT-84-L  |
| <input type="checkbox"/> CDT-30-L | <input type="checkbox"/> CDT-96-L  |
| <input type="checkbox"/> CDT-36-L | <input type="checkbox"/> CDT-108-L |
| <input type="checkbox"/> CDT-48-L | <input type="checkbox"/> CDT-120-L |
| <input type="checkbox"/> CDT-60-L | <input type="checkbox"/> CDT-132-L |
| <input type="checkbox"/> CDT-72-L | <input type="checkbox"/> CDT-144-L |

## Options

- Pass Thru
- Additional weld-in bowls (please specify size)
- Quick Drain
- Stainless Steel H-frame Legs and Feet
- Scrap Baskets with Rack Slides
- Undershelves
- End Splash

\* For additional available options, contact Elkay SSP

## Materials

- Top: Backsplash is 16 gauge 300 series stainless steel
- Legs: All sinks furnished with 1-5/8" (41.3 mm) diameter heavy gauge galvanized tubing with galvanized leg gussets and high impact corrosion resistant fully adjustable 1" (25.4 mm) feet



**AUTOQUOTES**



*In keeping with our policy of continuing product improvement, Elkay SSP reserves the right to change product specifications without notice.*

*This specification describes an Elkay SSP product with design, quality and functional benefits to the user. When making a comparison of other producers' offerings, be certain these features are not overlooked.*

### Elkay SSP

421 N. Freya St.  
Spokane, WA 99205  
Phone: 800-726-0553 Fax: 509-535-1493

Website: [www.sspinc.net](http://www.sspinc.net)  
Email: [sspsales@elkay.com](mailto:sspsales@elkay.com)

©2011 Elkay

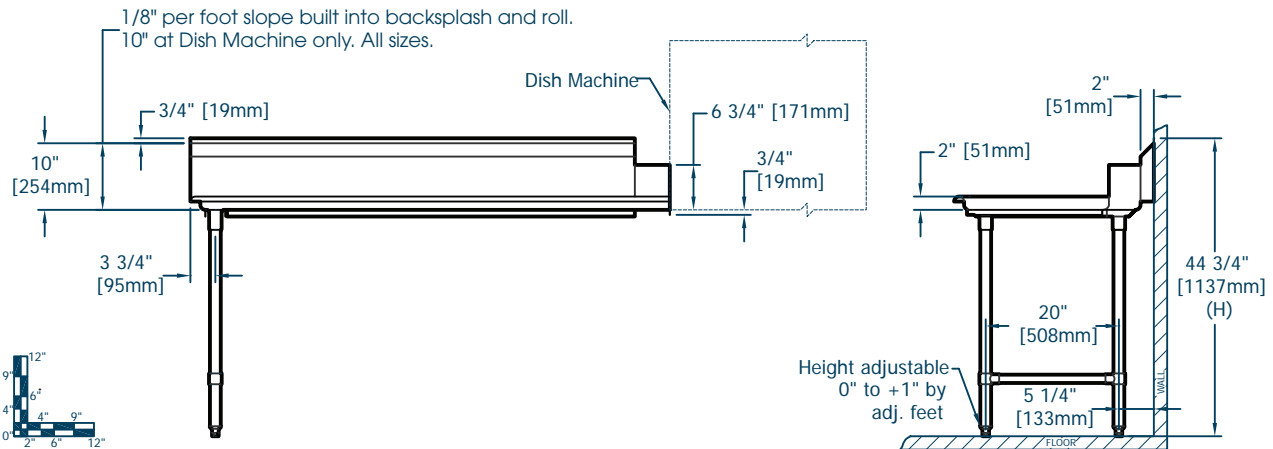
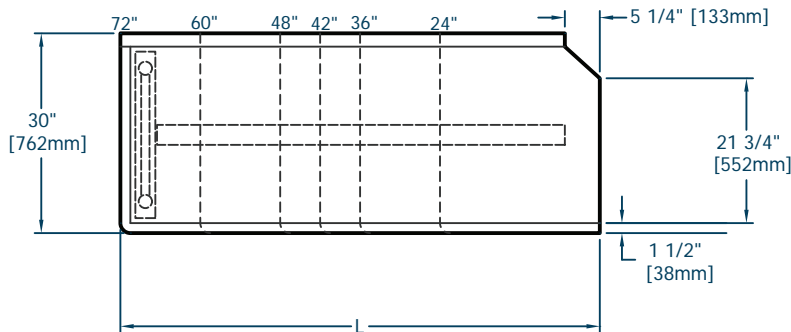


Item No.: \_\_\_\_\_ Qty.: \_\_\_\_\_  
 Model No.: \_\_\_\_\_  
 Project No.: \_\_\_\_\_

## Standard Series Clean Dish Table

Standard Series Right -to-Left Straight Clean Dish Table

CDT  
24" - 72"



Model Number	Overall Size						Weight	
	Length L		Width W		Height H		lbs.	kg
	in.	mm	in.	mm	in.	mm		
CDT - 24 - L	24	609.6	30	762	44.75	1137	61	28
CDT - 30 - L	30	762	30	762	45.75	1162	69	31
CDT - 36 - L	36	914.4	30	762	44.75	1137	80	36
CDT - 48 - L	48	1219	30	762	44.75	1137	96	44
CDT - 60 - L	60	1524	30	762	44.75	1137	117	53
CDT - 72 - L	72	1829	30	762	44.75	1137	133	61
CDT - 84 - L	84	2134	30	762	44.75	1137	169	77
CDT - 96 - L	96	2438	30	762	44.75	1137	186	84
CDT - 108 - L	108	2743	30	762	44.75	1137	210	95
CDT - 120 - L	120	3048	30	762	44.75	1137	227	103
CDT - 132 - L	132	3353	30	762	44.75	1137	253	115
CDT - 144 - L	144	3658	30	762	44.75	1137	270	123

Product Positioned Left of Dish Machine  
 Length - in  
 Clean Dish Table, Straight Design

CDT  
 84" - 144"

