

Item No.:	_____	Qty.:	_____
Model No.:	_____		
Project No.:	_____		



Specifications

Standard Clean Dish Table, straight design, left-to-right operation, 10" high backsplash with 2" return, 16 gauge stainless steel top, galvanized legs with adjustable plastic feet, NSF approved

Features

- 16 Ga. stainless steel
- Welded construction for consistent metal gauge thickness throughout
- 10" (254 mm) backsplash with tile edge for easy installation
- All dish tables are sloped for positive drainage
- Raised 1-1/2" (38.1 mm) diameter rolled edge
- 1-5/8" (41.3 mm) galvanized H-Frame legs with
- 1" (25.4 mm) adjustable plastic feet

Standard Series Clean Dish Table

Standard Series Left-to-Right Straight Clean Dish Table

- | | |
|-----------------------------------|------------------------------------|
| <input type="checkbox"/> CDT-24-R | <input type="checkbox"/> CDT-84-R |
| <input type="checkbox"/> CDT-30-R | <input type="checkbox"/> CDT-96-R |
| <input type="checkbox"/> CDT-36-R | <input type="checkbox"/> CDT-108-R |
| <input type="checkbox"/> CDT-48-R | <input type="checkbox"/> CDT-120-R |
| <input type="checkbox"/> CDT-60-R | <input type="checkbox"/> CDT-132-R |
| <input type="checkbox"/> CDT-72-R | <input type="checkbox"/> CDT-144-R |

Options

- Pass Thru
- Additional weld-in bowls (please specify size)
- Quick Drain
- Stainless Steel H-frame Legs and Feet
- Scrap Baskets with Rack Slides
- Undershelves
- End Splash

* For additional available options, contact Elkay SSP

Materials

- Top: Backsplash is 16 gauge 300 series stainless steel
- Legs: All sinks furnished with 1-5/8" (41.3 mm) diameter heavy gauge galvanized tubing with galvanized leg gussets and high impact corrosion resistant fully adjustable 1" (25.4 mm) feet



AUTOQUOTES



In keeping with our policy of continuing product improvement, Elkay SSP reserves the right to change product specifications without notice.

This specification describes an Elkay SSP product with design, quality and functional benefits to the user. When making a comparison of other producers' offerings, be certain these features are not overlooked.

Elkay SSP
 421 N. Freya St.
 Spokane, WA 99205
 Phone: 800-726-0553 Fax: 509-535-1493

Website: www.sspinc.net
 Email: sspsales@elkay.com
 ©2011 Elkay

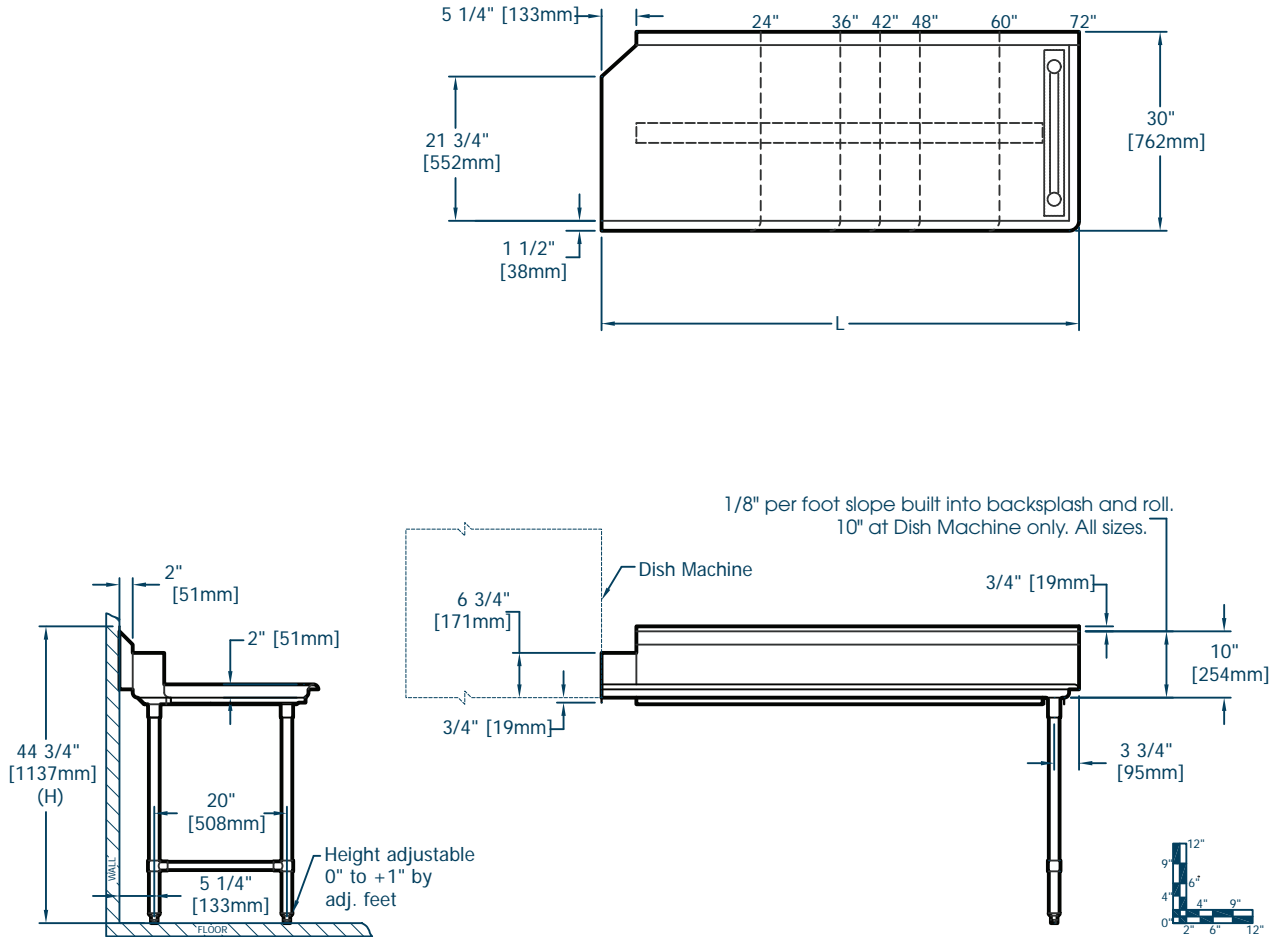


Item No.: _____ Qty.: _____
 Model No.: _____
 Project No.: _____

Standard Series Clean Dish Table

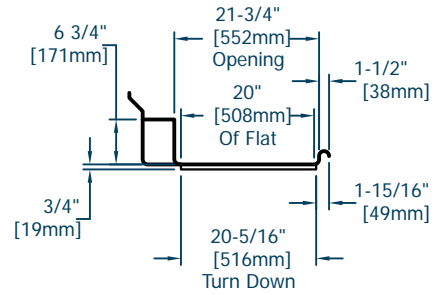
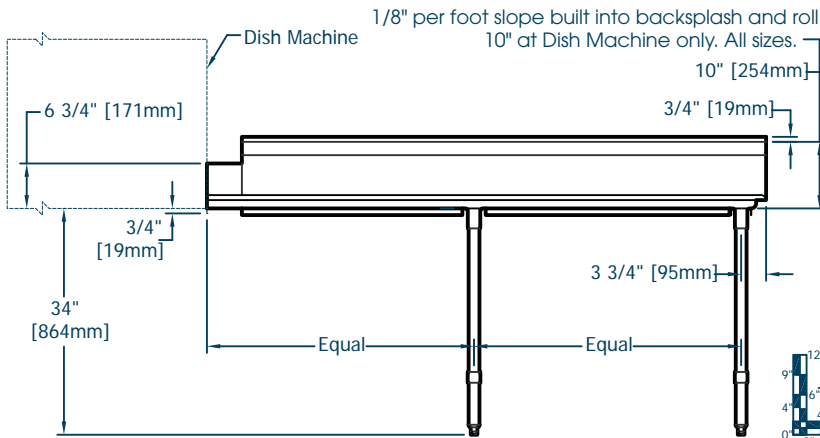
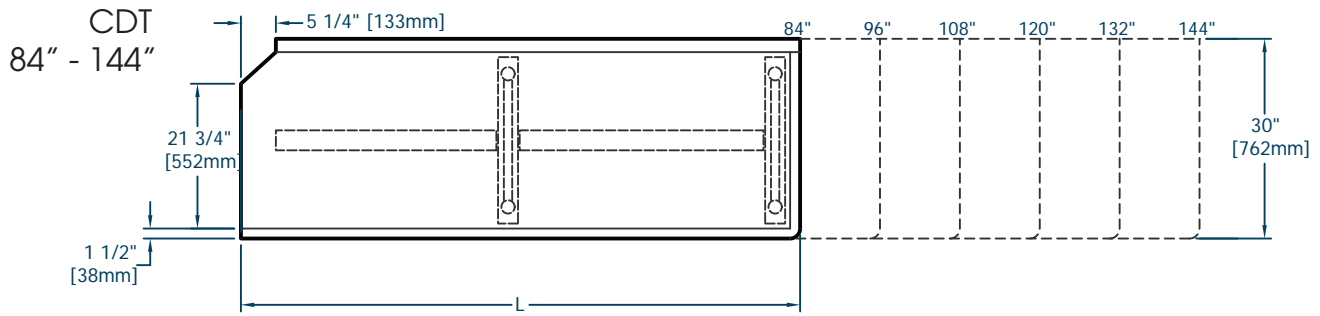
Standard Series Left-to-Right Straight Clean Dish Table

CDT
24" - 72"



Model Number	Overall Size						Weight	
	Length		Width		Height		lbs.	kg
	L	mm	W	mm	H	mm		
CDT - 24 - R	24	609.6	30	762	44.75	1137	61	28
CDT - 30 - R	30	762	30	762	45.75	1162	69	31
CDT - 36 - R	36	914.4	30	762	44.75	1137	80	36
CDT - 48 - R	48	1219	30	762	44.75	1137	96	44
CDT - 60 - R	60	1524	30	762	44.75	1137	117	53
CDT - 72 - R	72	1829	30	762	44.75	1137	133	61
CDT - 84 - R	84	2134	30	762	44.75	1137	169	77
CDT - 96 - R	96	2438	30	762	44.75	1137	186	84
CDT - 108 - R	108	2743	30	762	44.75	1137	210	95
CDT - 120 - R	120	3048	30	762	44.75	1137	227	103
CDT - 132 - R	132	3353	30	762	44.75	1137	253	115
CDT - 144 - R	144	3658	30	762	44.75	1137	270	123

Product Positioned Right of Dish Machine
 Length - in
 Clean Dish Table, Straight Design



Dish Machine Connection Detail

