

Item No.:	_____	Qty.:	_____
Model No.:	_____		
Project No.:	_____		



Standard Series Clean Dish Table

Standard Series Right-to-Left Straight Clean Dish Table

- | | |
|------------------------------------|------------------------------------|
| <input type="checkbox"/> CDT-24-LX | <input type="checkbox"/> CDT-72-LX |
| <input type="checkbox"/> CDT-36-LX | <input type="checkbox"/> CDT-84-LX |
| <input type="checkbox"/> CDT-48-LX | <input type="checkbox"/> CDT-96-LX |
| <input type="checkbox"/> CDT-60-LX | |

Specifications

Standard Clean Dish Table, straight design, right-to-left operation, 10" high backsplash with 2" return, 16 gauge stainless steel top, galvanized legs with adjustable plastic feet, NSF approved

Features

- 16 Ga. stainless steel
- Welded construction for consistent metal gauge thickness throughout
- 10" (254 mm) backsplash with tile edge for easy installation
- Raised 1-1/2" (38.1 mm) diameter rolled edge
- 1-5/8" (41.3 mm) galvanized H-Frame legs with 1" (25.4 mm) adjustable plastic feet

Options

- Stainless Steel H-frame Legs and Feet
- Rack Slides
- Scrap Baskets with Rack Slides
- Undershelves

* For additional available options, contact Elkay SSP

Materials

- Top: Backsplash is 16 gauge 300 series stainless steel
- Legs: All sinks furnished with 1-5/8" (41.3 mm) diameter heavy gauge galvanized tubing with galvanized leg gussets and high impact corrosion resistant fully adjustable 1" (25.4 mm) feet

Flyer Product

In keeping with our policy of continuing product improvement, Elkay SSP reserves the right to change product specifications without notice.



AUTOQUOTES



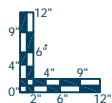
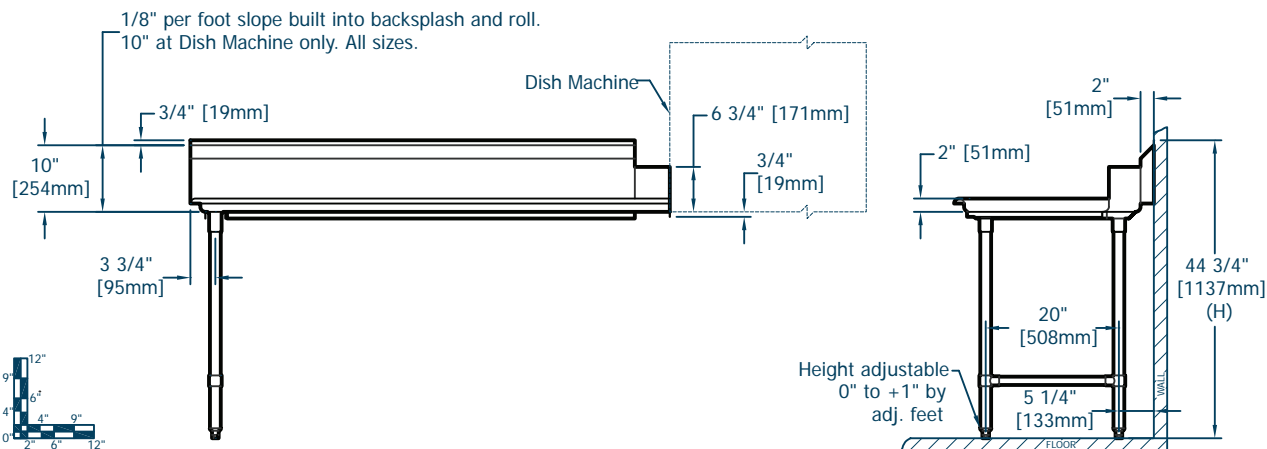
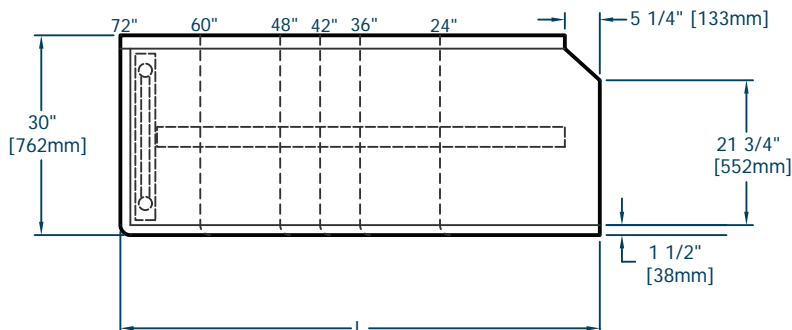
This specification describes an Elkay SSP product with design, quality and functional benefits to the user. When making a comparison of other producers' offerings, be certain these features are not overlooked.



Item No.: _____ Qty.: _____
 Model No.: _____
 Project No.: _____

Standard Series Clean Dish Table
 Standard Series Right -to-Left Straight Clean Dish Table

CDT-LX
 24" - 72"



Model Number	Overall Size						Weight	
	Length L		Width W		Height H		lbs.	kg
	in.	mm	in.	mm	in.	mm		
CDT - 24 - L X	24	609.6	30	762	44.75	1137	61	28
CDT - 36 - L X	36	914.4	30	762	44.75	1137	80	36
CDT - 48 - L X	48	1219	30	762	44.75	1137	96	44
CDT - 60 - L X	60	1524	30	762	44.75	1137	117	53
CDT - 72 - L X	72	1829	30	762	44.75	1137	133	61
CDT - 84 - L X	84	2134	30	762	44.75	1137	169	77
CDT - 96 - L X	96	2438	30	762	44.75	1137	186	84



