

Item No.:	_____	Qty.:	_____
Model No.:	_____		
Project No.:	_____		



Specifications

Standard L-Shaped Clean Dish Table, corner design, left-to-right operation, 10" high backsplash with 2" return, 16 gauge stainless steel top, galvanized bracing & legs with adjustable plastic feet, NSF approved

Features

- 16 Ga. stainless steel
- Welded construction for consistent metal gauge thickness throughout
- 10" (254 mm) backsplash with tile edge for easy installation
- All dish tables are sloped for positive drainage
- Raised 1-1/2" (38.1 mm) diameter rolled edge
- 1-5/8" (41.3 mm) galvanized H-Frame legs with 1" (25.4 mm) adjustable plastic feet

Standard Series Clean Dish Table

Standard Series Left-to-Right L-Shaped Clean Dish Table

- | | |
|------------------------------------|-------------------------------------|
| <input type="checkbox"/> CDTL-36-R | <input type="checkbox"/> CDTL-96-R |
| <input type="checkbox"/> CDTL-48-R | <input type="checkbox"/> CDTL-108-R |
| <input type="checkbox"/> CDTL-60-R | <input type="checkbox"/> CDTL-120-R |
| <input type="checkbox"/> CDTL-72-R | <input type="checkbox"/> CDTL-132-R |
| <input type="checkbox"/> CDTL-84-R | <input type="checkbox"/> CDTL-144-R |

Options

- Pass Thru
- Additional weld-in bowls (please specify size)
- Quick Drain
- Stainless Steel H-frame Legs and Feet
- Scrap Baskets with Rack Slides
- Curved Rack Guide
- Undershelves
- End Splash

* For additional available options, contact Elkay SSP

Materials

- Top: Backsplash is 16 gauge 300 series stainless steel
- Legs: All sinks furnished with 1-5/8" (41.3 mm) diameter heavy gauge galvanized tubing with galvanized leg gussets and high impact corrosion resistant fully adjustable 1" (25.4 mm) feet



AUTOQUOTES



In keeping with our policy of continuing product improvement, Elkay SSP reserves the right to change product specifications without notice.

This specification describes an Elkay SSP product with design, quality and functional benefits to the user. When making a comparison of other producers' offerings, be certain these features are not overlooked.

Elkay SSP
 421 N. Freya St.
 Spokane, WA 99205
 Phone: 800-726-0553 Fax: 509-535-1493

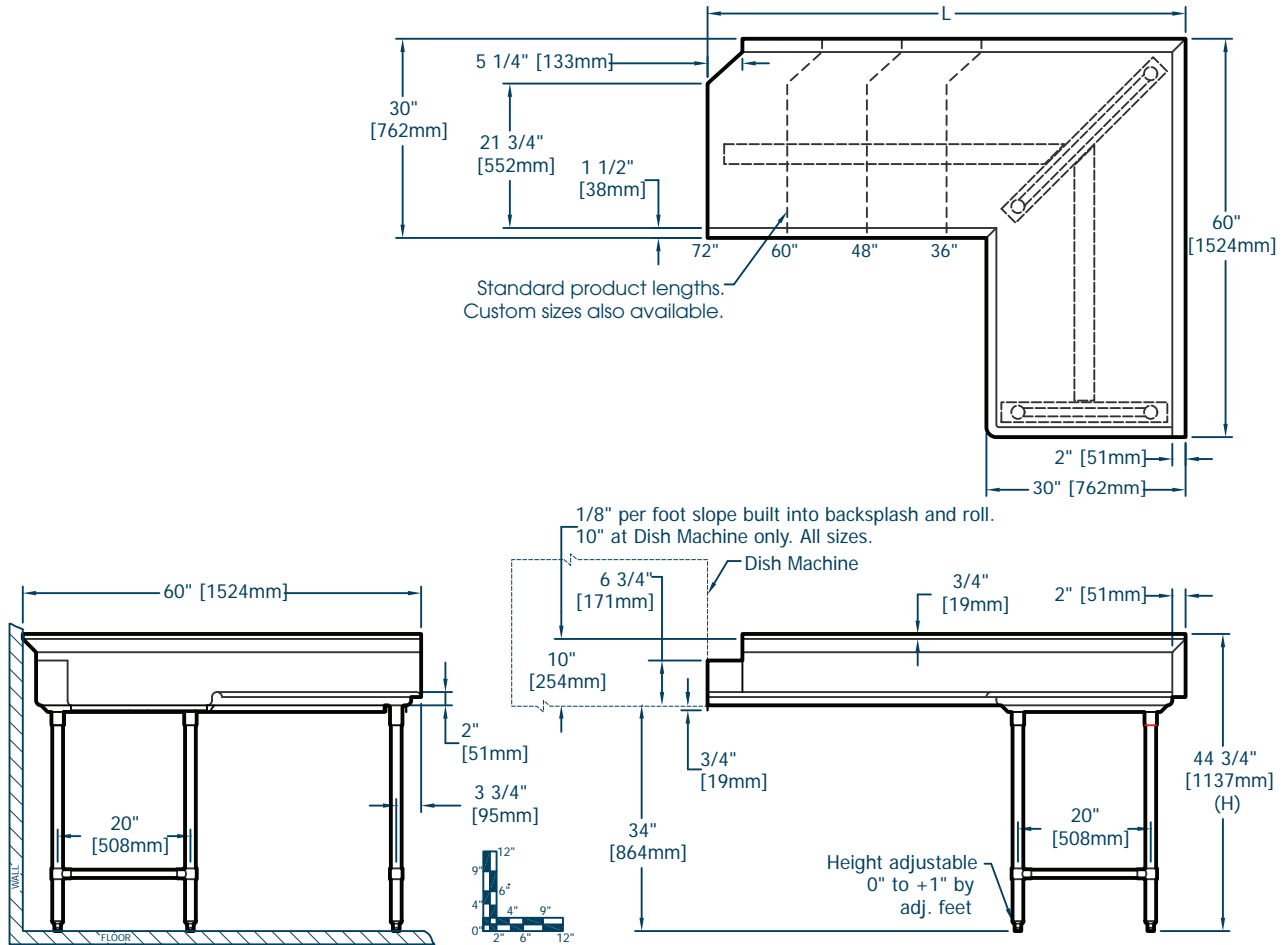
Website: www.sspinc.net
 Email: sspsales@elkay.com
 ©2011 Elkay



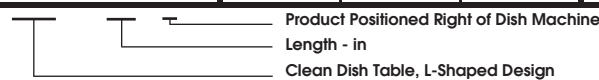
Item No.: _____ Qty.: _____
 Model No.: _____
 Project No.: _____

Standard Series Clean Dish Table
 Standard Series Left-to-Right L-Shaped Clean Dish Table

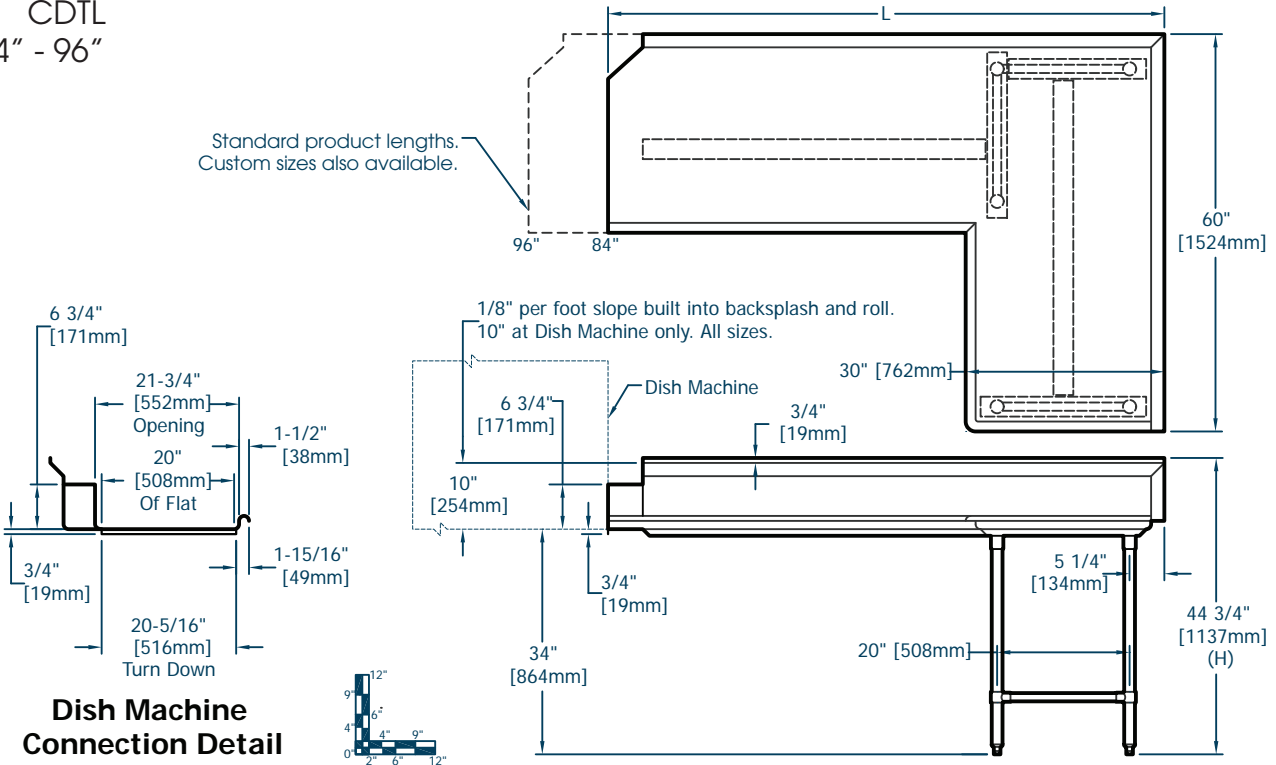
CDTL
 36" - 72"



Model Number	Standard Clean L-Shaped Dish Tables						Weight	
	Length		Overall Width		Overall Height		lbs.	kg
	L	mm	W	mm	H	mm		
CDTL - 36 - R	36	914.4	30	762	44.75	1137	129	59
CDTL - 48 - R	48	1219	30	762	44.75	1137	154	70
CDTL - 60 - R	60	1524	30	762	44.75	1137	175	80
CDTL - 72 - R	72	1829	30	762	44.75	1137	192	87
CDTL - 84 - R	84	2134	30	762	44.75	1137	223	101
CDTL - 96 - R	96	2438	30	762	44.75	1137	240	109
CDTL - 108 - R	108	2743	30	762	44.75	1137	278	127
CDTL - 120 - R	120	3048	30	762	44.75	1137	296	135
CDTL - 132 - R	132	3353	30	762	44.75	1137	323	147
CDTL - 144 - R	144	3658	30	762	44.75	1137	339	154



CDTL
84" - 96"



CDTL
108" - 144"

