

Item No.:	_____	Qty.:	_____
Model No.:	_____		
Project No.:	_____		



Specifications

Standard L-Shaped Clean Dish Table, island design, left-to-right operation, 10" high backsplash with 2" return, 1-1/2" rolled edges on open sides, 16 gauge stainless steel top, galvanized bracing & legs with adjustable plastic feet, NSF approved

Features

- 16 Ga. stainless steel
- Welded construction for consistent metal gauge thickness throughout
- 10" (254 mm) backsplash with tile edge for easy installation
- All dish tables are sloped for positive drainage
- Raised 1-1/2" (38.1 mm) diameter rolled edge
- 1-5/8" (41.3 mm) galvanized H-Frame legs with 1" (25.4 mm) adjustable plastic feet

Standard Series Clean Dish Table

Standard Series Left-to-Right L-Shaped Island Clean Dish Table

- | | |
|-------------------------------------|--------------------------------------|
| <input type="checkbox"/> CDTLI-36-R | <input type="checkbox"/> CDTLI-96-R |
| <input type="checkbox"/> CDTLI-48-R | <input type="checkbox"/> CDTLI-108-R |
| <input type="checkbox"/> CDTLI-60-R | <input type="checkbox"/> CDTLI-120-R |
| <input type="checkbox"/> CDTLI-72-R | <input type="checkbox"/> CDTLI-132-R |
| <input type="checkbox"/> CDTLI-84-R | <input type="checkbox"/> CDTLI-144-R |

Options

- Pass Thru
- Additional weld-in bowls (please specify size)
- Quick Drain
- Stainless Steel H-frame Legs and Feet
- Scrap Baskets with Rack Slides
- Curved Rack Guide
- Undershelves
- End Splash

* For additional available options, contact Elkay SSP

Materials

- Top: Backsplash is 16 gauge 300 series stainless steel
- Legs: All sinks furnished with 1-5/8" (41.3 mm) diameter heavy gauge galvanized tubing with galvanized leg gussets and high impact corrosion resistant fully adjustable 1" (25.4 mm) feet



AUTOQUOTES



In keeping with our policy of continuing product improvement, Elkay SSP reserves the right to change product specifications without notice.

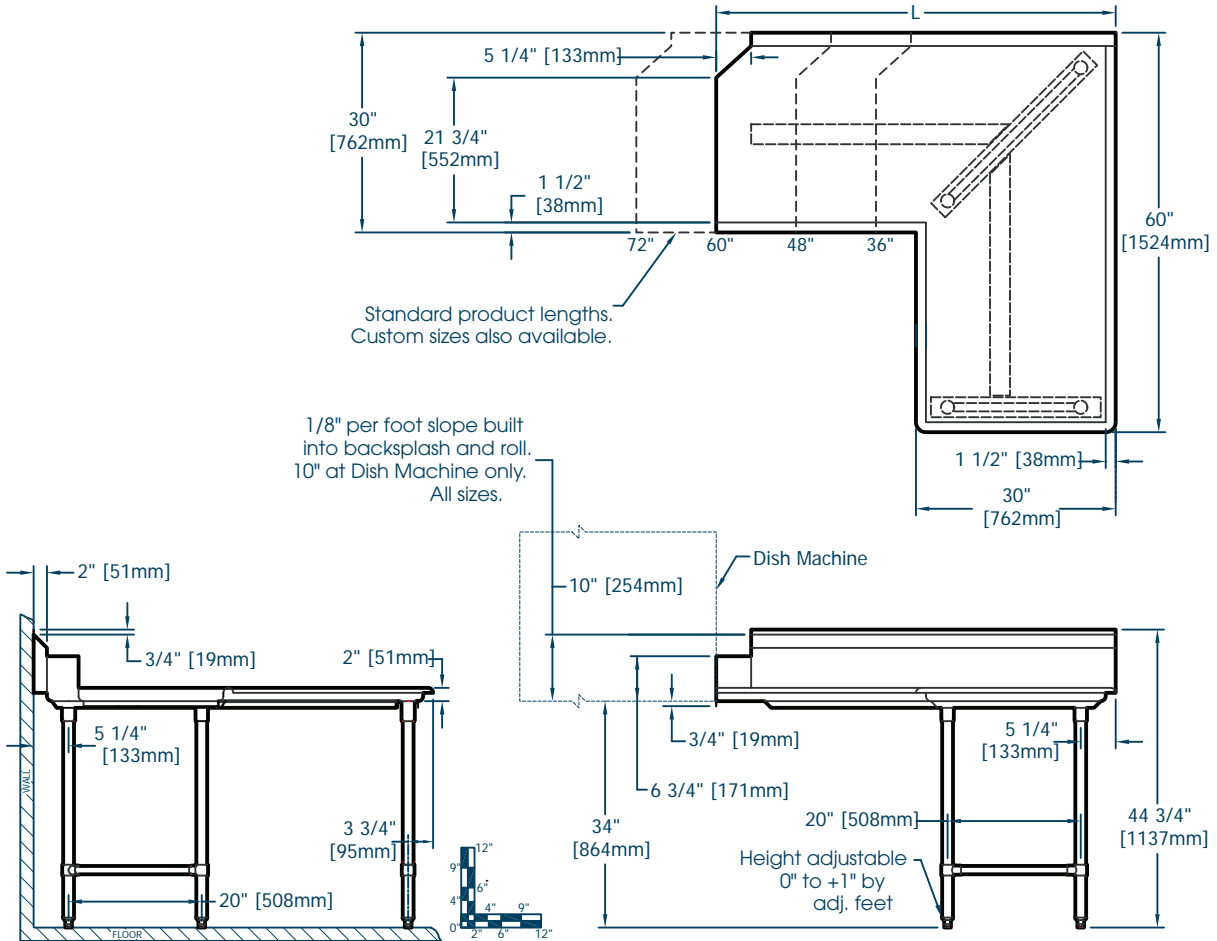
This specification describes an Elkay SSP product with design, quality and functional benefits to the user. When making a comparison of other producers' offerings, be certain these features are not overlooked.



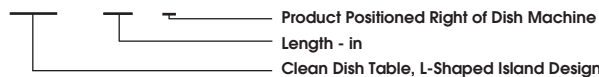
Item No.: _____ Qty.: _____
 Model No.: _____
 Project No.: _____

Standard Series Clean Dish Table
Standard Series Left-to-Right L-Shaped Island Clean Dish Table

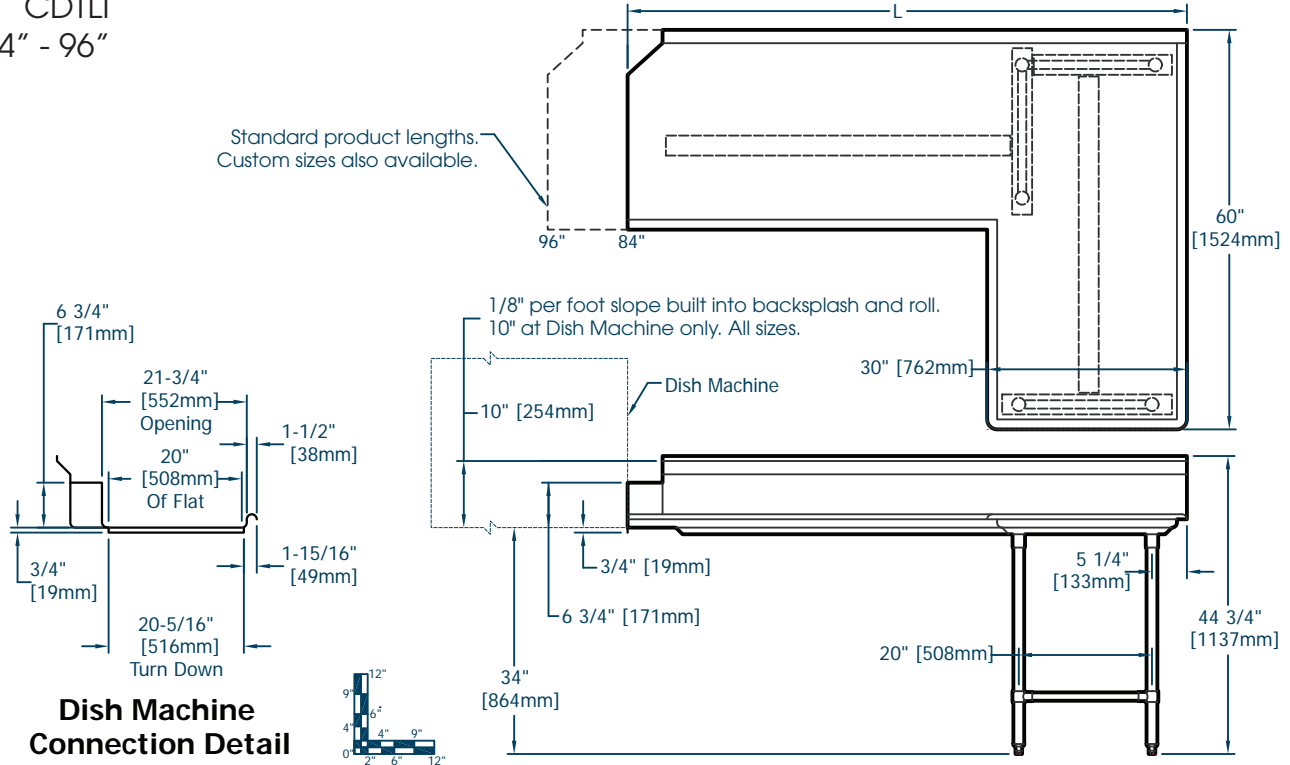
CDTLI
36" - 72"



Model Number	Standard Clean L-Shaped Island Dish Tables						Weight	
	Length		Overall Size		Height		lbs.	kg
	L	mm	W	mm	H	mm		
CDTLI - 36 - R	36	914.4	30	762	44.75	1137	130	59
CDTLI - 48 - R	48	1219	30	762	44.75	1137	149	68
CDTLI - 60 - R	60	1524	30	762	44.75	1137	169	77
CDTLI - 72 - R	72	1829	30	762	44.75	1137	184	84
CDTLI - 84 - R	84	2134	30	762	44.75	1137	214	97
CDTLI - 96 - R	96	2438	30	762	44.75	1137	230	105
CDTLI - 108 - R	108	2743	30	762	44.75	1137	268	122
CDTLI - 120 - R	120	3048	30	762	44.75	1137	284	129
CDTLI - 132 - R	132	3353	30	762	44.75	1137	309	141
CDTLI - 144 - R	144	3658	30	762	44.75	1137	328	149



CDTLI
 84" - 96"



CDTLI
 108" - 144"

