

Item No.:	_____	Qty.:	_____
Model No.:	_____		
Project No.:	_____		



Standard Series Clean Dish Table

Standard Series Right-to-Left L-Shaped Island Clean Dish Table

- | | |
|-------------------------------------|--------------------------------------|
| <input type="checkbox"/> CDTLI-36-L | <input type="checkbox"/> CDTLI-96-L |
| <input type="checkbox"/> CDTLI-48-L | <input type="checkbox"/> CDTLI-108-L |
| <input type="checkbox"/> CDTLI-60-L | <input type="checkbox"/> CDTLI-120-L |
| <input type="checkbox"/> CDTLI-72-L | <input type="checkbox"/> CDTLI-132-L |
| <input type="checkbox"/> CDTLI-84-L | <input type="checkbox"/> CDTLI-144-L |

Specifications

Standard L-Shaped Clean Dish Table, island design, right-to-left operation, 10" high backsplash with 2" return, 1-1/2" rolled edges on open sides, 16 gauge stainless steel top, galvanized bracing & legs with adjustable plastic feet, NSF approved

Features

- 16 Ga. stainless steel
- Welded construction for consistent metal gauge thickness throughout
- 10" (254 mm) backsplash with tile edge for easy installation
- All dish tables are sloped for positive drainage
- Raised 1-1/2" (38.1 mm) diameter rolled edge
- 1-5/8" (41.3 mm) galvanized H-Frame legs with 1" (25.4 mm) adjustable plastic feet

Options

- Pass Thru
- Additional weld-in bowls (please specify size)
- Quick Drain
- Stainless Steel H-frame Legs and Feet
- Scrap Baskets with Rack Slides
- Curved Rack Guide
- Undershelves
- End Splash

* For additional available options, contact Elkay SSP

Materials

- Top: Backsplash is 16 gauge 300 series stainless steel
- Legs: All sinks furnished with 1-5/8" (41.3 mm) diameter heavy gauge galvanized tubing with galvanized leg gussets and high impact corrosion resistant fully adjustable 1" (25.4 mm) feet



AUTOQUOTES



In keeping with our policy of continuing product improvement, Elkay SSP reserves the right to change product specifications without notice.

This specification describes an Elkay SSP product with design, quality and functional benefits to the user. When making a comparison of other producers' offerings, be certain these features are not overlooked.

Elkay SSP
 421 N. Freya St.
 Spokane, WA 99205
 Phone: 800-726-0553 Fax: 509-535-1493

Website: www.sspinc.net
 Email: sspsales@elkay.com
 ©2011 Elkay

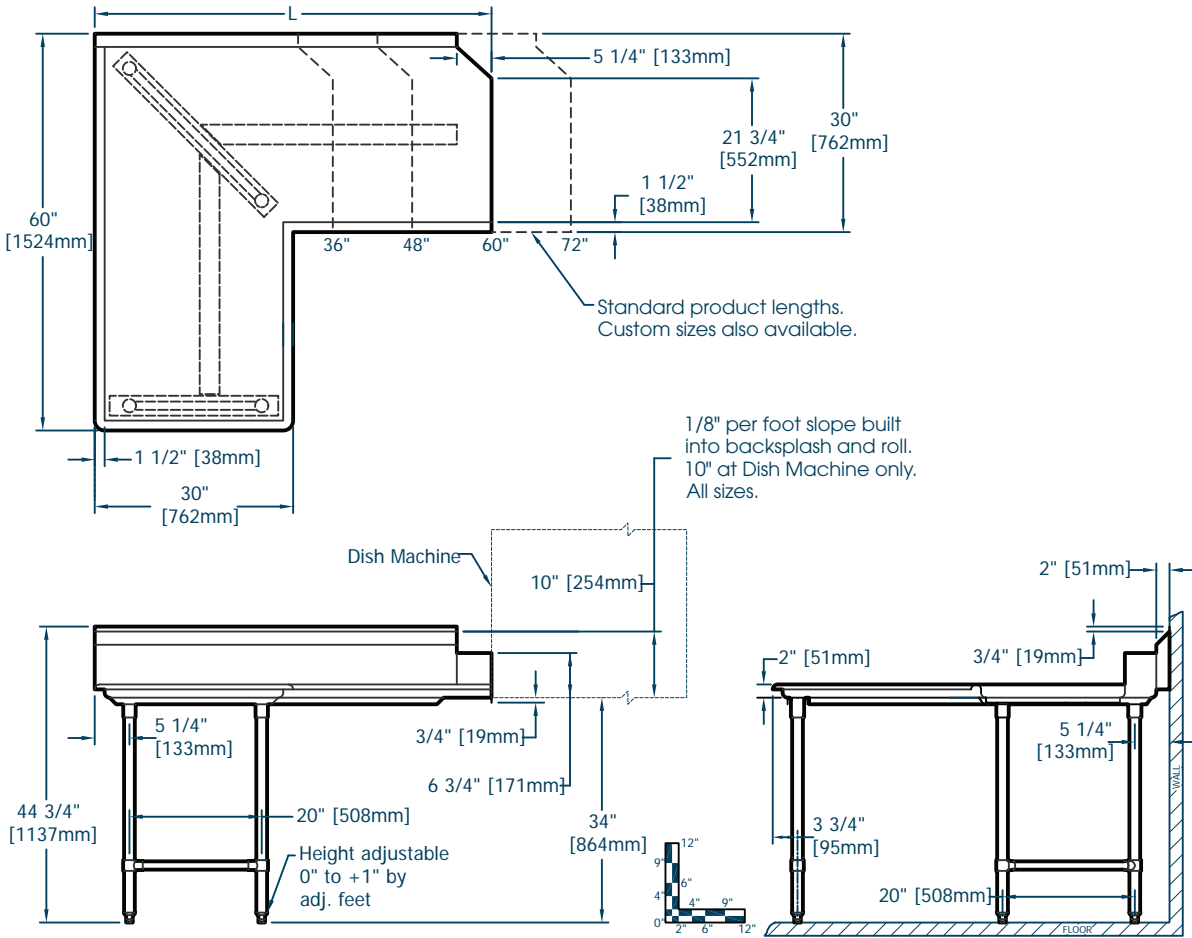


Item No.: _____ Qty.: _____
 Model No.: _____
 Project No.: _____

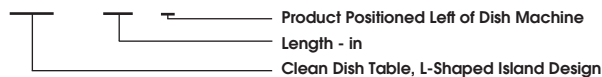
Standard Series Clean Dish Table

Standard Series Right-to-Left L-Shaped Island Clean Dish Table

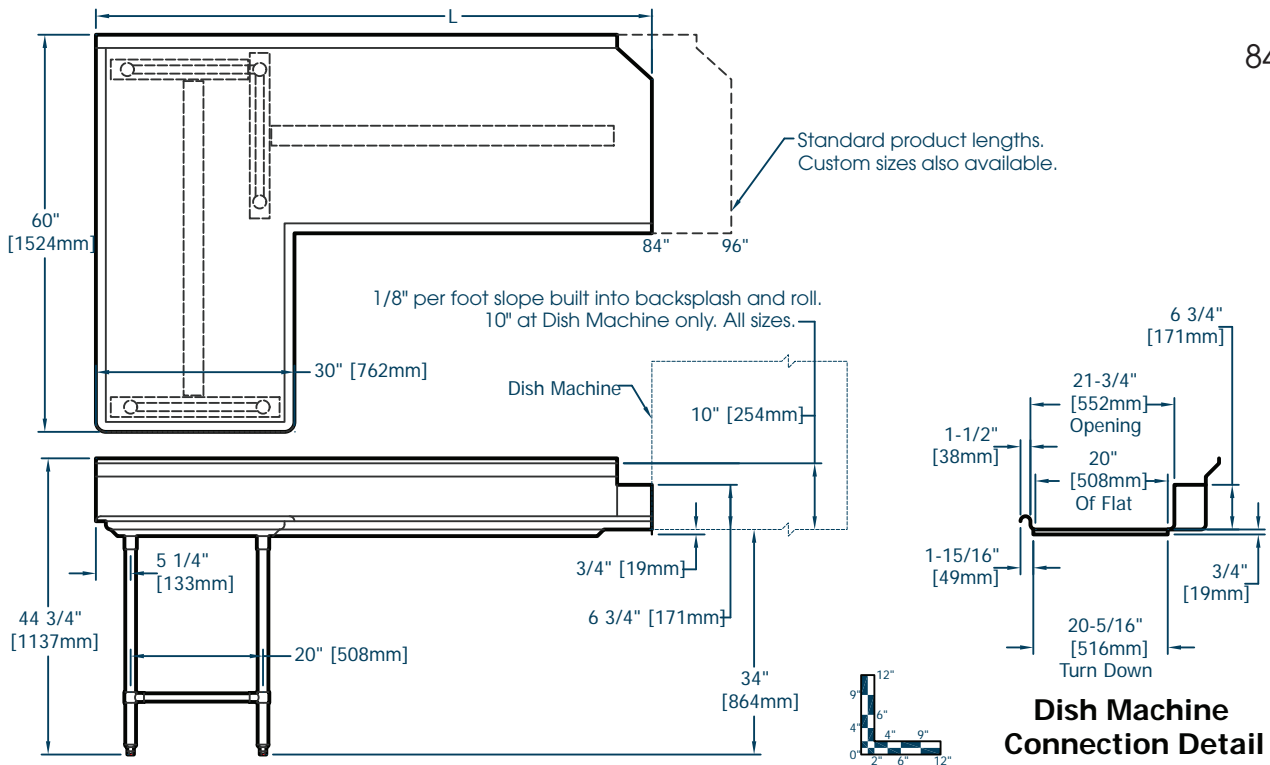
CDTLI
36" - 72"



Standard Clean L-Shaped Dish Tables									
Model Number	Overall Size						Weight		
	Length		Width		Height		lbs.	kg	
	L	mm	W	mm	H	mm			
CDTLI - 36 - L	36	914.4	30	762	44.75	1137	130	59	
CDTLI - 48 - L	48	1219	30	762	44.75	1137	149	68	
CDTLI - 60 - L	60	1524	30	762	44.75	1137	169	77	
CDTLI - 72 - L	72	1829	30	762	44.75	1137	184	84	
CDTLI - 84 - L	84	2134	30	762	44.75	1137	214	97	
CDTLI - 96 - L	96	2438	30	762	44.75	1137	230	105	
CDTLI - 108 - L	108	2743	30	762	44.75	1137	268	122	
CDTLI - 120 - L	120	3048	30	762	44.75	1137	284	129	
CDTLI - 132 - L	132	3353	30	762	44.75	1137	309	141	
CDTLI - 144 - L	144	3658	30	762	44.75	1137	328	149	



CDTLI
84" - 96"



CDTLI
108" - 144"

