

Item No.:	_____	Qty.:	_____
Model No.:	_____		
Project No.:	_____		



Specifications

Standard Soiled Dish Table, straight design, left-to-right operation, 10" high backsplash with 2" return, 16 gauge stainless steel top & pre-rinse sink, galvanized legs with adjustable plastic feet (specify faucet hole location), NSF approved

Features

- 16 Ga. stainless steel
- Welded construction for consistent metal gauge thickness throughout
- 10" (254 mm) backsplash with tile edge for easy installation
- All dish tables are sloped for positive drainage
- Raised 1-1/2" (38.1 mm) diameter rolled edge
- 1-5/8" (41.3 mm) galvanized H-Frame legs with 1" (25.4 mm) adjustable plastic feet

Standard Series Soiled Dish Table

Standard Series Left-to-Right Straight Soiled Dish Table

- | | |
|-----------------------------------|------------------------------------|
| <input type="checkbox"/> DDT-24-L | <input type="checkbox"/> DDT-84-L |
| <input type="checkbox"/> DDT-30-L | <input type="checkbox"/> DDT-96-L |
| <input type="checkbox"/> DDT-36-L | <input type="checkbox"/> DDT-108-L |
| <input type="checkbox"/> DDT-48-L | <input type="checkbox"/> DDT-120-L |
| <input type="checkbox"/> DDT-60-L | <input type="checkbox"/> DDT-132-L |
| <input type="checkbox"/> DDT-72-L | <input type="checkbox"/> DDT-144-L |

Options

- Pass Thru
- Additional weld-in bowls (please specify size)
- Slopped Scrap Trough
- Quick Drain
- Stainless Steel H-frame Legs and Feet
- Scrap Baskets with Rack Slides
- Undershelves
- End Splash

* For additional available options, contact Elkay SSP

Materials

- Top: Bowl and backsplash are 16 gauge 300 series stainless steel
- Legs: All sinks furnished with 1-5/8" (41.3 mm) diameter heavy gauge galvanized tubing with galvanized leg gussets and high impact corrosion resistant fully adjustable 1" (25.4 mm) feet



AUTOQUOTES



In keeping with our policy of continuing product improvement, Elkay SSP reserves the right to change product specifications without notice.

This specification describes an Elkay SSP product with design, quality and functional benefits to the user. When making a comparison of other producers' offerings, be certain these features are not overlooked.

Elkay SSP
 421 N. Freya St.
 Spokane, WA 99205
 Phone: 800-726-0553 Fax: 509-535-1493

Website: www.sspinc.net
 Email: sspsales@elkay.com
 ©2011 Elkay



Item No.: _____ Qty.: _____

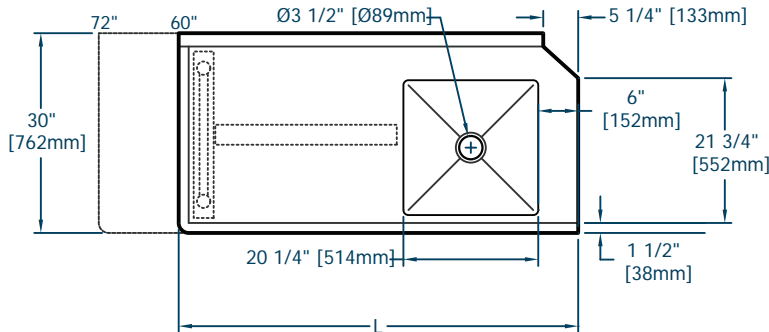
Model No.: _____

Project No.: _____

Standard Series Soiled Dish Table

Standard Series Left-to-Right Straight Soiled Dish Table

DDT
60" - 72"



Faucet Hole Options

Specify at time of ordering

Back Splash Mounted

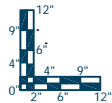
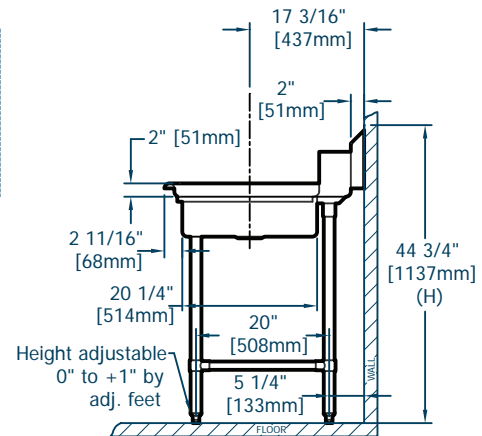
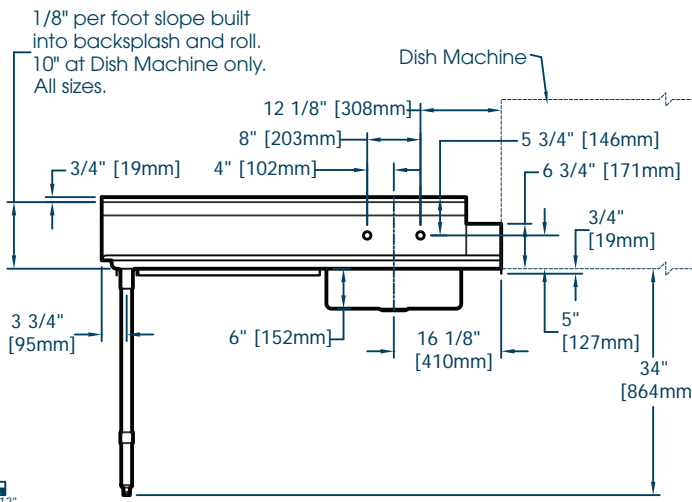
(2) 1-1/8" Dia. holes, 8" on center
Reference Side View

Deck Mounted

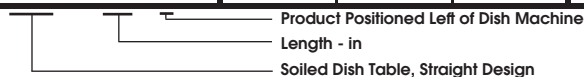
(1) 1-1/8" Dia. hole, centered over
tub drain centerline
Reference Plan View on p. 3

No Hole

Product supplied without faucet
hole drilling



Standard Soiled Dish Tables																
Model Number	Bowl Dimensions						Overall Size			Drain Location DL	Weight					
	Width A		Front-to-Back B		Depth D		Length L	Width W			Height H	lbs.	kg			
	in.	mm	in.	mm	in.	mm		in.	mm					in.	mm	
DDT - 24 - L	20.25	514	20.25	514	6	152	24	609.6	30	762	44.75	1137	17	441	76	35
DDT - 30 - L	20.25	514	20.25	514	6	152	30	762	30	762	45.75	1162	17	441	84	38
DDT - 36 - L	20.25	514	20.25	514	6	152	36	914.4	30	762	44.75	1137	17	441	95	43
DDT - 48 - L	20.25	514	20.25	514	6	152	48	1219	30	762	44.75	1137	17	441	111	51
DDT - 60 - L	20.25	514	20.25	514	6	152	60	1524	30	762	44.75	1137	17	441	132	60
DDT - 72 - L	20.25	514	20.25	514	6	152	72	1829	30	762	44.75	1137	17	441	148	67
DDT - 84 - L	20.25	514	20.25	514	6	152	84	2134	30	762	44.75	1137	17	441	184	83
DDT - 96 - L	20.25	514	20.25	514	6	152	96	2438	30	762	44.75	1137	17	441	201	91
DDT - 108 - L	20.25	514	20.25	514	6	152	108	2743	30	762	44.75	1137	17	441	225	102
DDT - 120 - L	20.25	514	20.25	514	6	152	120	3048	30	762	44.75	1137	17	441	242	110
DDT - 132 - L	20.25	514	20.25	514	6	152	132	3353	30	762	44.75	1137	17	441	268	122
DDT - 144 - L	20.25	514	20.25	514	6	152	144	3658	30	762	44.75	1137	17	441	285	130



Elkay SSP

421 N. Freya St.
Spokane, WA 99205
Phone: 800-726-0553 Fax: 509-535-1493

Website: www.sspinc.net
Email: sspsales@elkay.com
©2011 Elkay

Item No.: _____ Qty.: _____
 Model No.: _____
 Project No.: _____

