

Item No.:	_____	Qty.:	_____
Model No.:	_____		
Project No.:	_____		



Specifications

Standard L-Shaped Soiled Dish Table, corner design, right-to-left operation, backsplash with 2" return, 16 gauge stainless steel top & pre-rinse sink, galvanized bracing & legs with adjustable plastic feet (specify faucet hole location), NSF approved

Features

- 16 Ga. stainless steel
- Welded construction for consistent metal gauge thickness throughout
- 10" (254 mm) backsplash with tile edge for easy installation
- All dish tables are sloped for positive drainage
- Raised 1-1/2" (38.1 mm) diameter rolled edge
- 1-5/8" (41.3 mm) galvanized H-Frame legs with 1" (25.4 mm) adjustable plastic feet

Standard Series Soiled Dish Table

Standard Series Right-to-Left L-Shaped Soiled Dish Table

- | | |
|------------------------------------|-------------------------------------|
| <input type="checkbox"/> DDTL-36-R | <input type="checkbox"/> DDTL-96-R |
| <input type="checkbox"/> DDTL-48-R | <input type="checkbox"/> DDTL-108-R |
| <input type="checkbox"/> DDTL-60-R | <input type="checkbox"/> DDTL-120-R |
| <input type="checkbox"/> DDTL-72-R | <input type="checkbox"/> DDTL-132-R |
| <input type="checkbox"/> DDTL-84-R | <input type="checkbox"/> DDTL-144-R |

Options

- Pass Thru
- Additional weld-in bowls (please specify size)
- Slopped Scrap Trough
- Quick Drain
- Stainless Steel H-frame Legs and Feet
- Scrap Baskets with Rack Slides
- Undershelves
- End Splash

* For additional available options, contact Elkay SSP

Materials

- Top: Bowl and backsplash are 16 gauge 300 series stainless steel
- Legs: 1-5/8" (41.3 mm) diameter heavy gauge galvanized tubing with galvanized leg gussets and high impact, corrosion resistant, adjustable 1" (25.4 mm) feet



AUTOQUOTES



In keeping with our policy of continuing product improvement, Elkay SSP reserves the right to change product specifications without notice.

This specification describes an Elkay SSP product with design, quality and functional benefits to the user. When making a comparison of other producers' offerings, be certain these features are not overlooked.

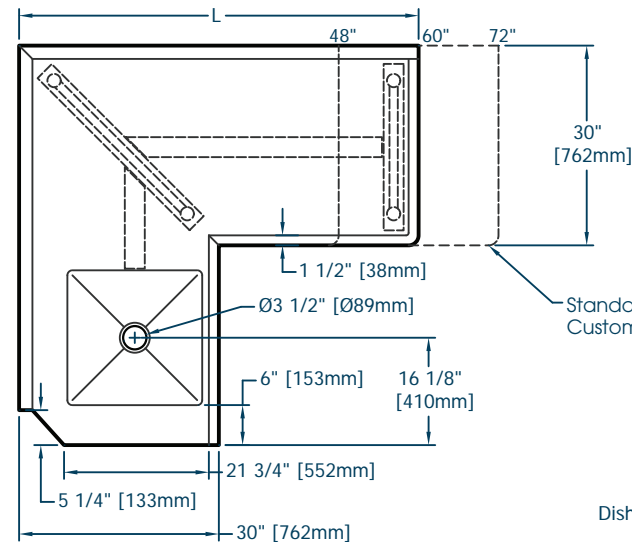


Item No.: _____ Qty.: _____
 Model No.: _____
 Project No.: _____

Standard Series Soiled Dish Table

Standard Series Right-to-Left L-Shaped Soiled Dish Table

DDTL
48" - 72"



Faucet Hole Options

Specify at time of ordering

Back Splash Mounted

(2) 1-1/8" Dia. holes, 8" on center
Reference Side View

Deck Mounted

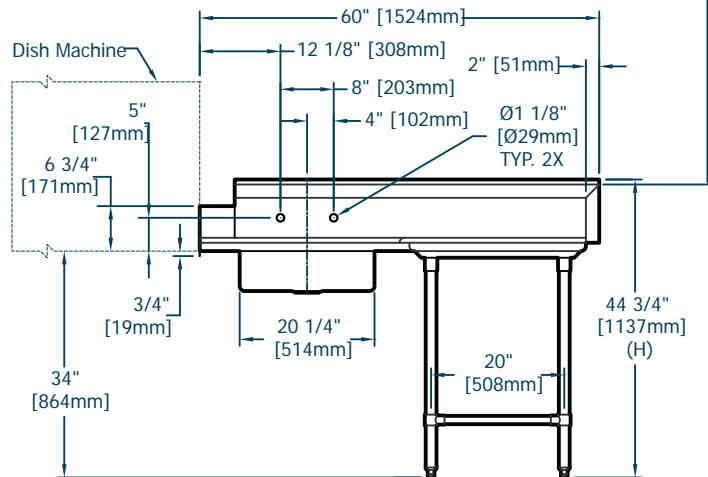
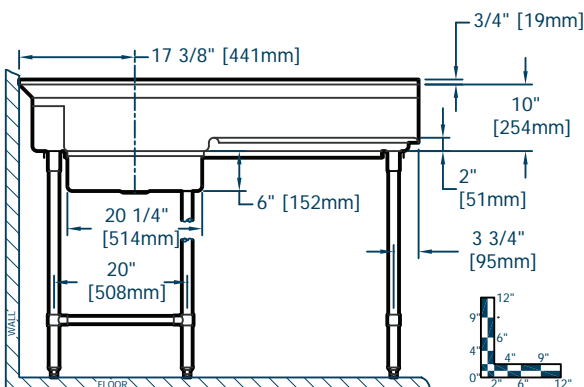
(1) 1-1/4" Dia. hole, centered over tub drain centerline
Reference Plan View on p. 3

No Hole

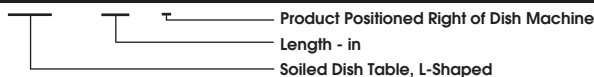
Product supplied without faucet hole drilling

Standard product lengths.
Custom sizes also available.

1/8" per foot slope built into backsplash and roll.
10" at Dish Machine only. All sizes.

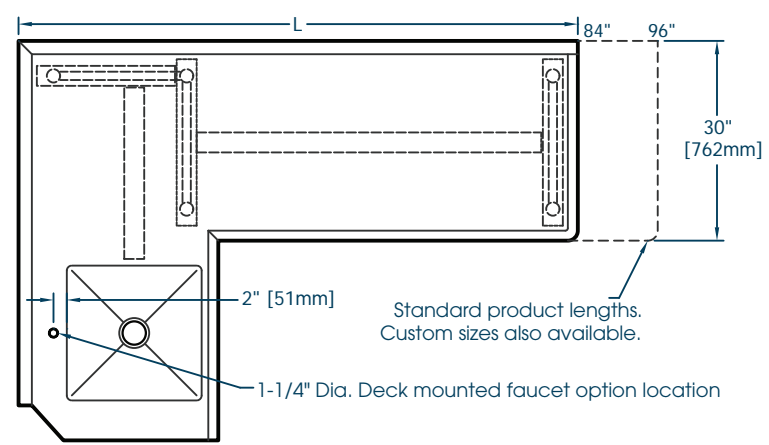


Standard Soiled L-Shaped Dish Tables																
Model Number	Bowl Dimensions						Overall Size			Drain Location		Weight				
	Width A		Front-to-Back B		Depth D		Length L		Width W		Height H		DL		lbs.	kg
	in.	mm	in.	mm	in.	mm	in.	mm	in.	mm	in.	mm	in.	mm		
DDTL - 36 - R	20.25	514	20.25	514	6	152	36	914.4	30	762	44.75	1137	17	441	134	61
DDTL - 48 - R	20.25	514	20.25	514	6	152	48	1219	30	762	44.75	1137	17	441	159	72
DDTL - 60 - R	20.25	514	20.25	514	6	152	60	1524	30	762	44.75	1137	17	441	179	81
DDTL - 72 - R	20.25	514	20.25	514	6	152	72	1829	30	762	44.75	1137	17	441	196	89
DDTL - 84 - R	20.25	514	20.25	514	6	152	84	2134	30	762	44.75	1137	17	441	226	103
DDTL - 96 - R	20.25	514	20.25	514	6	152	96	2438	30	762	44.75	1137	17	441	243	111
DDTL - 108 - R	20.25	514	20.25	514	6	152	108	2743	30	762	44.75	1137	17	441	283	128
DDTL - 120 - R	20.25	514	20.25	514	6	152	120	3048	30	762	44.75	1137	17	441	302	136
DDTL - 132 - R	20.25	514	20.25	514	6	152	132	3353	30	762	44.75	1137	17	441	329	147
DDTL - 144 - R	20.25	514	20.25	514	6	152	144	3658	30	762	44.75	1137	17	441	348	148

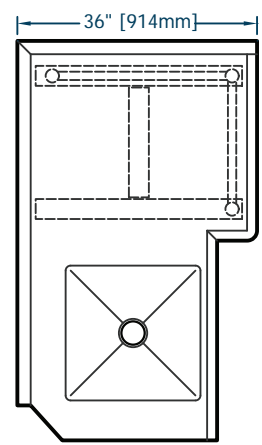


Elkay SSP
421 N. Freya St.
Spokane, WA 99205
Phone: 800-726-0553 Fax: 509-535-1493

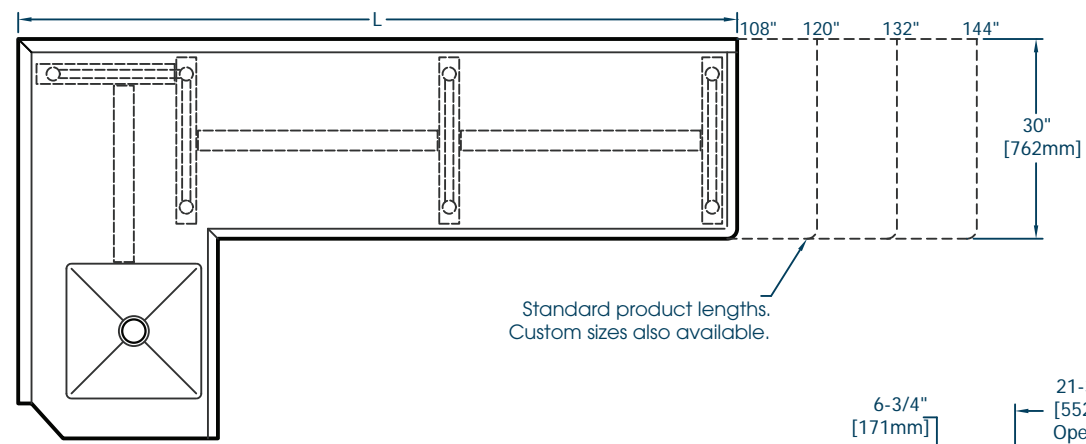
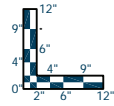
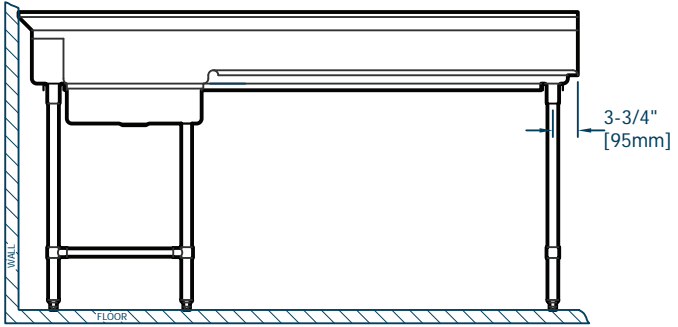
Website: www.sspinc.net
Email: sspsales@elkay.com
©2011 Elkay



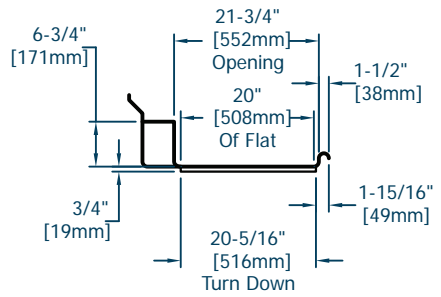
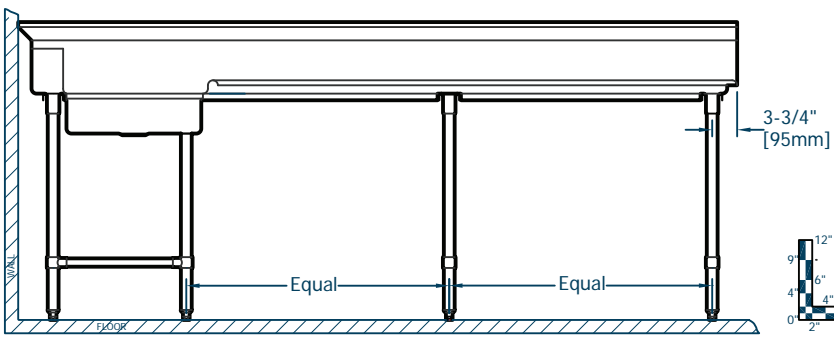
DDTL
84" - 96"



DDTL
36"



DDTL
108" - 144"



**Dish Machine
Connection Detail**

