

Item No.:	_____	Qty.:	_____
Model No.:	_____		
Project No.:	_____		



Specifications

Standard L-Shaped Soiled Dish Table, island design, left-to-right operation, 10" high backsplash with 2" return, raised 10" landing edge, 16 gauge stainless steel top & pre-rinse sink, galvanized bracing & legs with adjustable plastic feet (specify faucet hole location), NSF approved

Features

- 16 Ga. stainless steel
- Welded construction for consistent metal gauge thickness throughout
- 10" (254 mm) backsplash with tile edge for easy installation
- All dish tables are sloped for positive drainage
- Raised 1-1/2" (38.1 mm) diameter rolled edge
- 1-5/8" (41.3 mm) galvanized H-Frame legs with 1" (25.4 mm) adjustable plastic feet

Standard Series Soiled Dish Table

Standard Series Left-to-Right L-Shaped Island Soiled Dish Table with Landing Edge

- | | |
|-------------------------------------|--------------------------------------|
| <input type="checkbox"/> DDTLE-36-L | <input type="checkbox"/> DDTLE-96-L |
| <input type="checkbox"/> DDTLE-48-L | <input type="checkbox"/> DDTLE-108-L |
| <input type="checkbox"/> DDTLE-60-L | <input type="checkbox"/> DDTLE-120-L |
| <input type="checkbox"/> DDTLE-72-L | <input type="checkbox"/> DDTLE-132-L |
| <input type="checkbox"/> DDTLE-84-L | <input type="checkbox"/> DDTLE-144-L |

Options

- Pass Thru
- Additional weld-in bowls (please specify size)
- Slopped Scrap Trough
- Quick Drain
- Stainless Steel H-frame Legs and Feet
- Scrap Baskets with Rack Slides
- Undershelves
- End Splash

* For additional available options, contact Elkay SSP

Materials

- Top: Bowl and backsplash are 16 gauge 300 series stainless steel
- Legs: All sinks furnished with 1-5/8" (41.3 mm) diameter heavy gauge galvanized tubing with galvanized leg gussets and high impact corrosion resistant fully adjustable 1" (25.4 mm) feet



AUTOQUOTES



In keeping with our policy of continuing product improvement, Elkay SSP reserves the right to change product specifications without notice.

This specification describes an Elkay SSP product with design, quality and functional benefits to the user. When making a comparison of other producers' offerings, be certain these features are not overlooked.

Elkay SSP
 421 N. Freya St.
 Spokane, WA 99205
 Phone: 800-726-0553 Fax: 509-535-1493

Website: www.sspinc.net
 Email: sspsales@elkay.com
 ©2011 Elkay

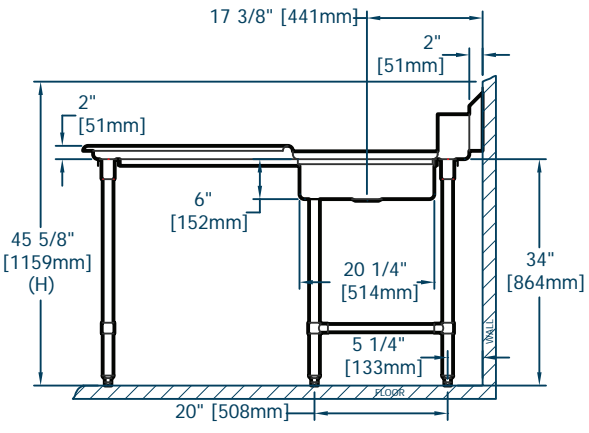
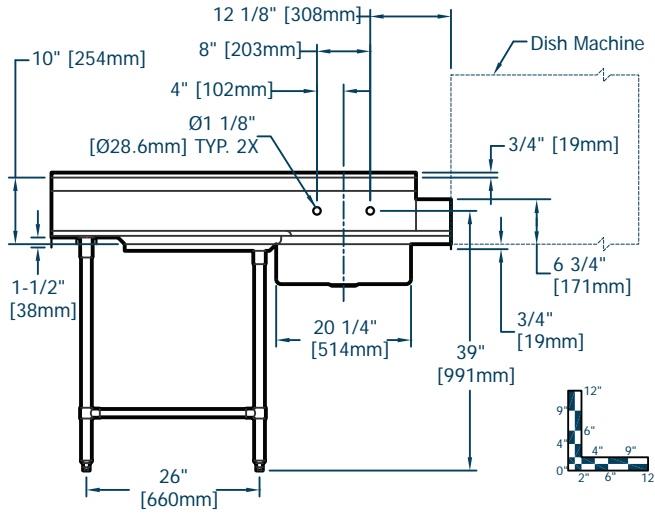
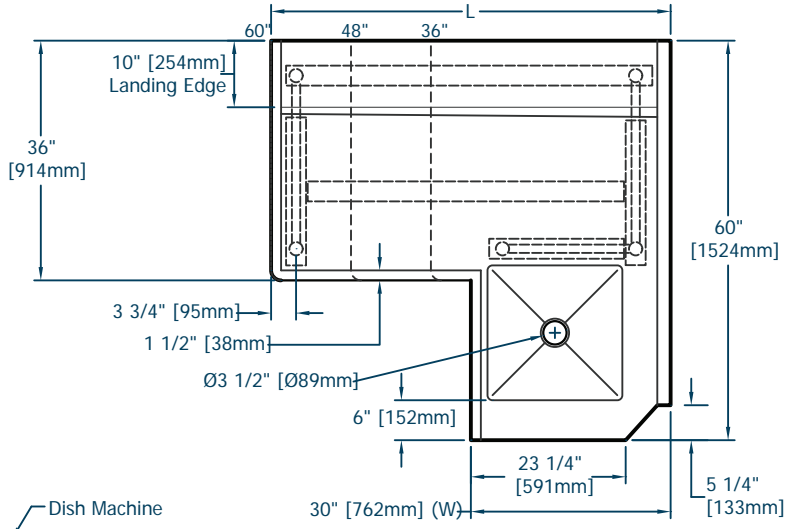


Item No.: _____ Qty.: _____
 Model No.: _____
 Project No.: _____

Standard Series Soiled Dish Table
Standard Series Left-to-Right L-Shaped Island Soiled Dish Table with Landing Edge

DDTLE
 36" - 60"

- Faucet Hole Options**
 Specify at time of ordering
- Back Splash Mounted**
 (2) 1-1/8" Dia. holes, 8" on center
 Reference Side View
 - Deck Mounted**
 (1) 1-1/4" Dia. hole, centered over tub drain centerline
 Reference Plan View on p. 3
 - No Hole**
 Product supplied without facet hole drilling



Standard Series Soiled L-Shaped Island Design Dish Tables with Landing Edge																
Model Number	Bowl Dimensions						Overall Size						Weight			
	Width		Front-to-Back		Depth		Length		Width		Height			Location		
	A	B	D	L	W	H	DL									
	in.	mm	in.	mm	in.	mm	in.	mm	in.	mm	in.	mm	in.	mm	lbs.	kg
DDTLE - 36 - L	20.25	514	20.25	514	6	152	36	914.4	30	762	44.75	1137	17	441	145	66
DDTLE - 48 - L	20.25	514	20.25	514	6	152	48	1219	30	762	44.75	1137	17	441	166	75
DDTLE - 60 - L	20.25	514	20.25	514	6	152	60	1524	30	762	44.75	1137	17	441	188	85
DDTLE - 72 - L	20.25	514	20.25	514	6	152	72	1829	30	762	44.75	1137	17	441	203	92
DDTLE - 84 - L	20.25	514	20.25	514	6	152	84	2134	30	762	44.75	1137	17	441	227	103
DDTLE - 96 - L	20.25	514	20.25	514	6	152	96	2438	30	762	44.75	1137	17	441	245	111
DDTLE - 108 - L	20.25	514	20.25	514	6	152	108	2743	30	762	44.75	1137	17	441	283	129
DDTLE - 120 - L	20.25	514	20.25	514	6	152	120	3048	30	762	44.75	1137	17	441	302	137
DDTLE - 132 - L	20.25	514	20.25	514	6	152	132	3353	30	762	44.75	1137	17	441	329	149
DDTLE - 144 - L	20.25	514	20.25	514	6	152	144	3658	30	762	44.75	1137	17	441	348	158



Elkay SSP
 421 N. Freya St.
 Spokane, WA 99205
 Phone: 800-726-0553 Fax: 509-535-1493

Website: www.sspinc.net
 Email: sspsales@elkay.com
 ©2011 Elkay

