

Item No.:	_____	Qty.:	_____
Model No.:	_____		
Project No.:	_____		



## Specifications

Standard L-Shaped Soiled Dish Table, island design, left-to-right operation, 10" high backsplash with 2" return, 16 gauge stainless steel top & pre-rinse sink, galvanized bracing & legs with adjustable plastic feet (specify faucet hole location), NSF approved

## Features

- 16 Ga. stainless steel
- Welded construction for consistent metal gauge thickness throughout
- 10" (254 mm) backsplash with tile edge for easy installation
- All dish tables are sloped for positive drainage
- Raised 1-1/2" (38.1 mm) diameter rolled edge
- 1-5/8" (41.3 mm) galvanized H-Frame legs with 1" (25.4 mm) adjustable plastic feet

## Standard Series Soiled Dish Table

*Standard Series Left-to-Right L-Shaped Island Soiled Dish Table*

- |                                     |                                      |
|-------------------------------------|--------------------------------------|
| <input type="checkbox"/> DDTLI-36-L | <input type="checkbox"/> DDTLI-96-L  |
| <input type="checkbox"/> DDTLI-48-L | <input type="checkbox"/> DDTLI-108-L |
| <input type="checkbox"/> DDTLI-60-L | <input type="checkbox"/> DDTLI-120-L |
| <input type="checkbox"/> DDTLI-72-L | <input type="checkbox"/> DDTLI-132-L |
| <input type="checkbox"/> DDTLI-84-L | <input type="checkbox"/> DDTLI-144-L |

## Options

- Pass Thru
- Additional weld-in bowls (please specify size)
- Slopped Scrap Trough
- Quick Drain
- Stainless Steel H-frame Legs and Feet
- Scrap Baskets with Rack Slides
- Undershelves
- End Splash

\* For additional available options, contact Elkay SSP

## Materials

- Top: Bowl and backsplash are 16 gauge stainless steel
- Legs: All sinks furnished with 1-5/8" (41.3 mm) diameter heavy gauge galvanized tubing with galvanized leg gussets and high impact corrosion resistant fully adjustable 1" (25.4 mm) feet



**AUTOQUOTES**



*In keeping with our policy of continuing product improvement, Elkay SSP reserves the right to change product specifications without notice.*

*This specification describes an Elkay SSP product with design, quality and functional benefits to the user. When making a comparison of other producers' offerings, be certain these features are not overlooked.*



Item No.: \_\_\_\_\_ Qty.: \_\_\_\_\_  
 Model No.: \_\_\_\_\_  
 Project No.: \_\_\_\_\_

## Standard Series Soiled Dish Table

Standard Series Left-to-Right L-Shaped Island Soiled Dish Table

DDTLI  
48" - 72"

### Faucet Hole Options

Specify at time of ordering

#### Back Splash Mounted

(2) 1-1/8" Dia. holes, 8" on center  
Reference Side View

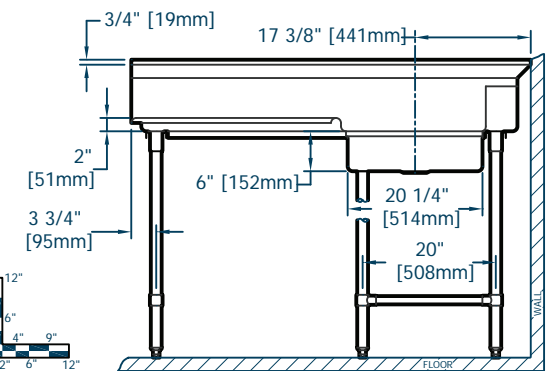
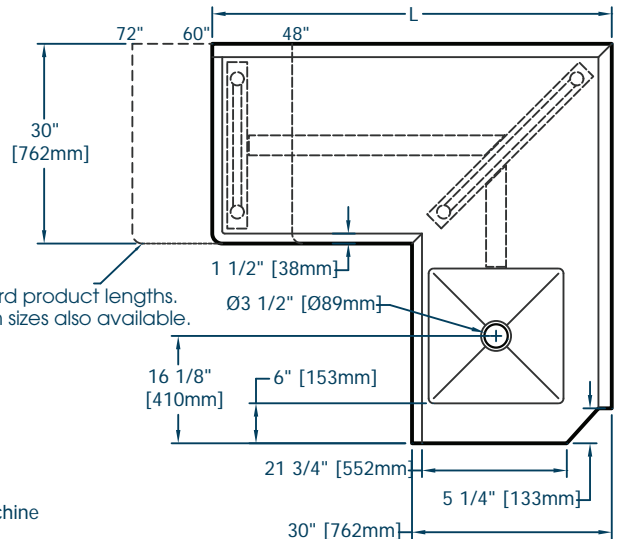
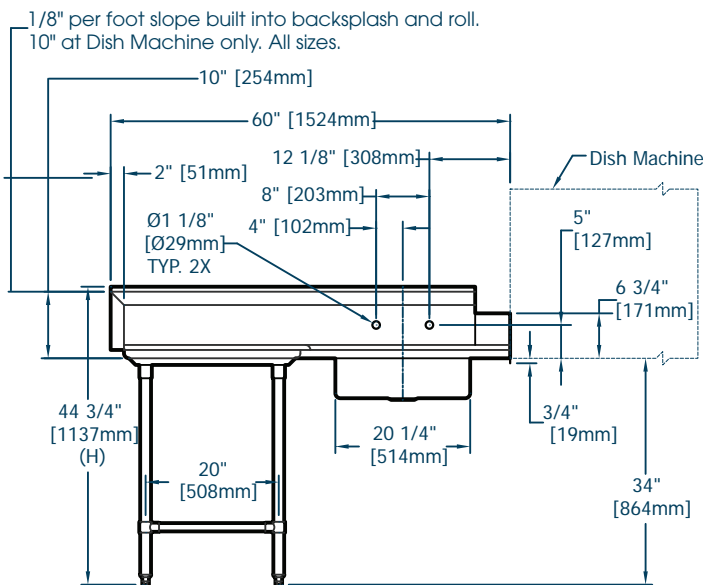
#### Deck Mounted

(1) 1-1/8" Dia. hole, centered over  
tub drain centerline  
Reference Plan View on p. 3

#### No Hole

Product supplied without faucet  
hole drilling

Standard product lengths.  
Custom sizes also available.



Model Number	Bowl Dimensions						Overall Size						Drain Location		Weight	
	Width A		Front-to-Back B		Depth D		Length L		Width W		Height H		in.	mm	lbs.	kg
	in.	mm	in.	mm	in.	mm	in.	mm	in.	mm	in.	mm				
DDTLI - 36 - L	20.25	514	20.25	514	6	152	36	914.4	30	762	44.75	1137	17	441	145	66
DDTLI - 48 - L	20.25	514	20.25	514	6	152	48	1219	30	762	44.75	1137	17	441	163	74
DDTLI - 60 - L	20.25	514	20.25	514	6	152	60	1524	30	762	44.75	1137	17	441	184	84
DDTLI - 72 - L	20.25	514	20.25	514	6	152	72	1829	30	762	44.75	1137	17	441	199	91
DDTLI - 84 - L	20.25	514	20.25	514	6	152	84	2134	30	762	44.75	1137	17	441	229	104
DDTLI - 96 - L	20.25	514	20.25	514	6	152	96	2438	30	762	44.75	1137	17	441	245	111
DDTLI - 108 - L	20.25	514	20.25	514	6	152	108	2743	30	762	44.75	1137	17	441	282	128
DDTLI - 120 - L	20.25	514	20.25	514	6	152	120	3048	30	762	44.75	1137	17	441	299	136
DDTLI - 132 - L	20.25	514	20.25	514	6	152	132	3353	30	762	44.75	1137	17	441	324	147
DDTLI - 144 - L	20.25	514	20.25	514	6	152	144	3658	30	762	44.75	1137	17	441	343	156



Elkay SSP  
 421 N. Freya St.  
 Spokane, WA 99205  
 Phone: 800-726-0553 Fax: 509-535-1493

Website: www.sspinc.net  
 Email: sspsales@elkay.com  
 ©2011 Elkay

