

Item No.:	_____	Qty.:	_____
Model No.:	_____		
Project No.:	_____		

## Deluxe Spec-Line Series Work Table

*Deluxe Spec-Line Work Table, Flat Top with Stainless Steel Undershef*



24"

30"

36"

- |  |  |  |
|--|--|--|
| <input type="checkbox"/> DSLWT24S18-ST5  | <input type="checkbox"/> DSLWT30S18-ST5  | <input type="checkbox"/> DSLWT36S18-ST5  |
| <input type="checkbox"/> DSLWT24S24-ST5  | <input type="checkbox"/> DSLWT30S24-ST5  | <input type="checkbox"/> DSLWT36S24-ST5  |
| <input type="checkbox"/> DSLWT24S30-ST5  | <input type="checkbox"/> DSLWT30S30-ST5  | <input type="checkbox"/> DSLWT36S30-ST5  |
| <input type="checkbox"/> DSLWT24S36-ST5  | <input type="checkbox"/> DSLWT30S36-ST5  | <input type="checkbox"/> DSLWT36S36-ST5  |
| <input type="checkbox"/> DSLWT24S48-ST5  | <input type="checkbox"/> DSLWT30S48-ST5  | <input type="checkbox"/> DSLWT36S48-ST5  |
| <input type="checkbox"/> DSLWT24S60-ST5  | <input type="checkbox"/> DSLWT30S60-ST5  | <input type="checkbox"/> DSLWT36S60-ST5  |
| <input type="checkbox"/> DSLWT24S72-ST5  | <input type="checkbox"/> DSLWT30S72-ST5  | <input type="checkbox"/> DSLWT36S72-ST5  |
| <input type="checkbox"/> DSLWT24S84-ST5  | <input type="checkbox"/> DSLWT30S84-ST5  | <input type="checkbox"/> DSLWT36S84-ST5  |
| <input type="checkbox"/> DSLWT24S96-ST5  | <input type="checkbox"/> DSLWT30S96-ST5  | <input type="checkbox"/> DSLWT36S96-ST5  |
| <input type="checkbox"/> DSLWT24S108-ST5 | <input type="checkbox"/> DSLWT30S108-ST5 | <input type="checkbox"/> DSLWT36S108-ST5 |
| <input type="checkbox"/> DSLWT24S120-ST5 | <input type="checkbox"/> DSLWT30S120-ST5 | <input type="checkbox"/> DSLWT36S120-ST5 |
| <input type="checkbox"/> DSLWT24S132-ST5 | <input type="checkbox"/> DSLWT30S132-ST5 | <input type="checkbox"/> DSLWT36S132-ST5 |
| <input type="checkbox"/> DSLWT24S144-ST5 | <input type="checkbox"/> DSLWT30S144-ST5 | <input type="checkbox"/> DSLWT36S144-ST5 |

### Features

- 14 Gauge, 300 series stainless steel
- Welded construction for consistent metal gauge thickness throughout
- Sound deadened between top and bottom hat channels with double sided tape
- 1-5/8" Stainless steel legs and feet, adjustable up to 1"
- Fully adjustable stainless steel undershef
- Shipped knocked down for reduced shipping costs and supplied with Allen wrench and screws

### Materials

- **Top:** 14 Gauge, 300 series stainless steel, 1-3/4" turned-down edge
- **Legs:** 1-5/8" Diameter heavy gauge stainless steel tubing with stainless steel leg gussets and stainless steel feet, adjustable up to 1"
- **Undershef:** 18 Gauge, 300 series stainless steel, 1-1/2" turned-down edge, fully adjustable

### Options

- Custom Size / Height
- Cutout in Top (depending on size and location)
- Edge Modification
- Urn Trough
- Overshelves
- Undershelves
- Drawers
- Sink
- Splash
- Base Options
- Welded Set-Up
- Casters / Feet Upgrade

\* For additional available options, contact Elkay SSP



**AUTOQUOTES**

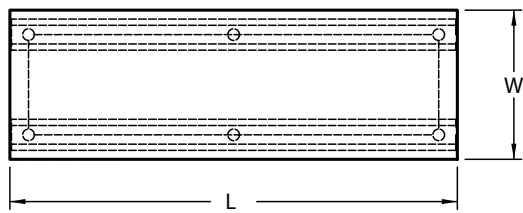


*In keeping with our policy of continuing product improvement, Elkay SSP reserves the right to change product specifications without notice.*

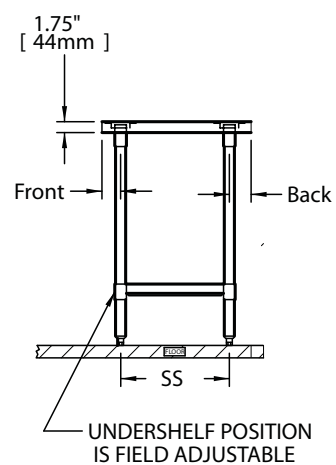
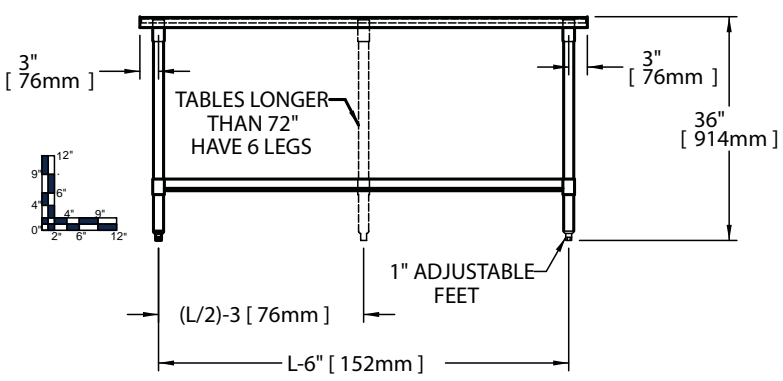
*This specification describes an Elkay SSP product with design, quality and functional benefits to the user. When making a comparison of other producers' offerings, be certain these features are not overlooked.*



Item No.: \_\_\_\_\_ Qty.: \_\_\_\_\_  
 Model No.: \_\_\_\_\_  
 Project No.: \_\_\_\_\_

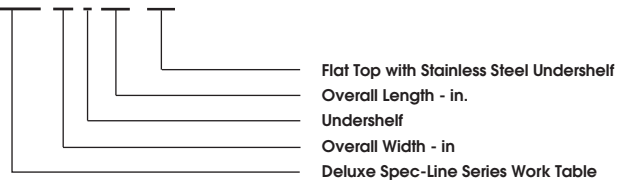


Size of Undershef:  
 Common length = subtract 6" from length  
 24" Width = subtract 6.5" from width  
 30" Width = subtract 7.45" from width  
 36" Width = subtract 10" from width



24" Work Table				30" Work Table				36" Work Table				Legs			
Model Number	Overall Size		Weight	Model Number	Overall Size		Weight	Model Number	Overall Size		Weight				
	Length	Height			Length	Height			Length	Height					
	L	H		L	H		L	H	L	H					
	in.	mm	lbs.   kg		in.	mm	lbs.   kg		in.	mm	lbs.   kg				
DSLWT 24 S 18 -STS	18	457	36   914	68   31	DSLWT 30 S 18 -STS	18	762	36   914	76   35	DSLWT 36 S 18 -STS	18	914	36   914	85   39	4
DSLWT 24 S 24 -STS	24	610	36   914	79   36	DSLWT 30 S 24 -STS	24	914	36   914	88   40	DSLWT 36 S 24 -STS	24	1219	36   914	100   45	4
DSLWT 24 S 30 -STS	30	762	36   914	90   41	DSLWT 30 S 30 -STS	30	762	36   914	104   47	DSLWT 36 S 30 -STS	30	1524	36   914	115   52	4
DSLWT 24 S 36 -STS	36	914	36   914	105   48	DSLWT 30 S 36 -STS	36	914	36   914	118   54	DSLWT 36 S 36 -STS	36	914	36   914	134   61	4
DSLWT 24 S 48 -STS	48	1219	36   914	128   58	DSLWT 30 S 48 -STS	48	1219	36   914	143   65	DSLWT 36 S 48 -STS	48	1219	36   914	164   75	4
DSLWT 24 S 60 -STS	60	1524	36   914	156   71	DSLWT 30 S 60 -STS	60	1524	36   914	174   79	DSLWT 36 S 60 -STS	60	1524	36   914	201   91	4
DSLWT 24 S 72 -STS	72	1829	36   914	179   81	DSLWT 30 S 72 -STS	72	1829	36   914	201   91	DSLWT 36 S 72 -STS	72	1829	36   914	231   105	4
DSLWT 24 S 84 -STS	84	2134	36   914	218   99	DSLWT 30 S 84 -STS	84	2134	36   914	243   110	DSLWT 36 S 84 -STS	84	2134	36   914	278   126	6
DSLWT 24 S 96 -STS	96	2438	36   914	242   110	DSLWT 30 S 96 -STS	96	2438	36   914	270   123	DSLWT 36 S 96 -STS	96	2438	36   914	309   140	6
DSLWT 24 S 108 -STS	108	2743	36   914	273   124	DSLWT 30 S 108 -STS	108	2743	36   914	304   138	DSLWT 36 S 108 -STS	108	2743	36   914	349   159	6
DSLWT 24 S 120 -STS	120	3048	36   914	297   135	DSLWT 30 S 120 -STS	120	3048	36   914	332   151	DSLWT 36 S 120 -STS	120	3048	36   914	380   173	6
DSLWT 24 S 132 -STS	132	3353	36   914	330   150	DSLWT 30 S 132 -STS	132	2743	36   914	368   167	DSLWT 36 S 132 -STS	132	2743	36   914	421   191	6
DSLWT 24 S 144 -STS	144	3658	36   914	354   161	DSLWT 30 S 144 -STS	144	3048	36   914	394   179	DSLWT 36 S 144 -STS	144	3048	36   914	453   206	6

\* Custom sizes also available



**Elkay SSP**  
 421 N. Freya St.  
 Spokane, WA 99205  
 Phone: 800-726-0553 Fax: 509-535-1493

Website: [www.sspinc.net](http://www.sspinc.net)  
 Email: [sspsales@elkay.com](mailto:sspsales@elkay.com)  
 ©2011 Elkay