

Item No.:	_____	Qty.:	_____
Model No.:	_____		
Project No.:	_____		



Deluxe Spec-Line Series Work Table

Deluxe Spec-Line Work Table, Backsplash with Stainless Steel Undershef

24"	30"	36"
<input type="checkbox"/> DSLWT24S18-BS	<input type="checkbox"/> DSLWT30S18-BS	<input type="checkbox"/> DSLWT36S18-BS
<input type="checkbox"/> DSLWT24S24-BS	<input type="checkbox"/> DSLWT30S24-BS	<input type="checkbox"/> DSLWT36S24-BS
<input type="checkbox"/> DSLWT24S30-BS	<input type="checkbox"/> DSLWT30S30-BS	<input type="checkbox"/> DSLWT36S30-BS
<input type="checkbox"/> DSLWT24S36-BS	<input type="checkbox"/> DSLWT30S36-BS	<input type="checkbox"/> DSLWT36S36-BS
<input type="checkbox"/> DSLWT24S48-BS	<input type="checkbox"/> DSLWT30S48-BS	<input type="checkbox"/> DSLWT36S48-BS
<input type="checkbox"/> DSLWT24S60-BS	<input type="checkbox"/> DSLWT30S60-BS	<input type="checkbox"/> DSLWT36S60-BS
<input type="checkbox"/> DSLWT24S72-BS	<input type="checkbox"/> DSLWT30S72-BS	<input type="checkbox"/> DSLWT36S72-BS
<input type="checkbox"/> DSLWT24S84-BS	<input type="checkbox"/> DSLWT30S84-BS	<input type="checkbox"/> DSLWT36S84-BS
<input type="checkbox"/> DSLWT24S96-BS	<input type="checkbox"/> DSLWT30S96-BS	<input type="checkbox"/> DSLWT36S96-BS
<input type="checkbox"/> DSLWT24S108-BS	<input type="checkbox"/> DSLWT30S108-BS	<input type="checkbox"/> DSLWT36S108-BS
<input type="checkbox"/> DSLWT24S120-BS	<input type="checkbox"/> DSLWT30S120-BS	<input type="checkbox"/> DSLWT36S120-BS
<input type="checkbox"/> DSLWT24S132-BS	<input type="checkbox"/> DSLWT30S132-BS	<input type="checkbox"/> DSLWT36S132-BS
<input type="checkbox"/> DSLWT24S144-BS	<input type="checkbox"/> DSLWT30S144-BS	<input type="checkbox"/> DSLWT36S144-BS

Features

- 14 Gauge, 300 series stainless steel
- 4" Backsplash with 1" return
- Welded construction for consistent metal gauge thickness throughout
- Sound deadened between top and bottom hat channels with double sided tape
- 1-5/8" Stainless steel legs and feet, adjustable up to 1"
- Fully adjustable stainless steel undershef
- Shipped knocked down for reduced shipping costs and supplied with Allen wrench and screws

Materials

- **Top:** 14 Gauge, 300 series stainless steel, 1-3/4" turned-down edge
- **Legs:** 1-5/8" Diameter heavy gauge stainless steel tubing with stainless steel leg gussets and stainless steel feet, adjustable up to 1"
- **Undershef:** 18 Gauge, 300 series stainless steel, 1-1/2" turned down edge, fully adjustable

Options

- Custom Size / Height
- Cutout in Top (depending on size and location)
- Edge Modification
- Urn Trough
- Overshelves
- Undershelves
- Drawers
- Sink
- Splash
- Base Options
- Welded Set-Up
- Casters / Feet Upgrade

* For additional available options, contact Elkay SSP



AUTOQUOTES



In keeping with our policy of continuing product improvement, Elkay SSP reserves the right to change product specifications without notice.

This specification describes an Elkay SSP product with design, quality and functional benefits to the user. When making a comparison of other producers' offerings, be certain these features are not overlooked.

Elkay SSP

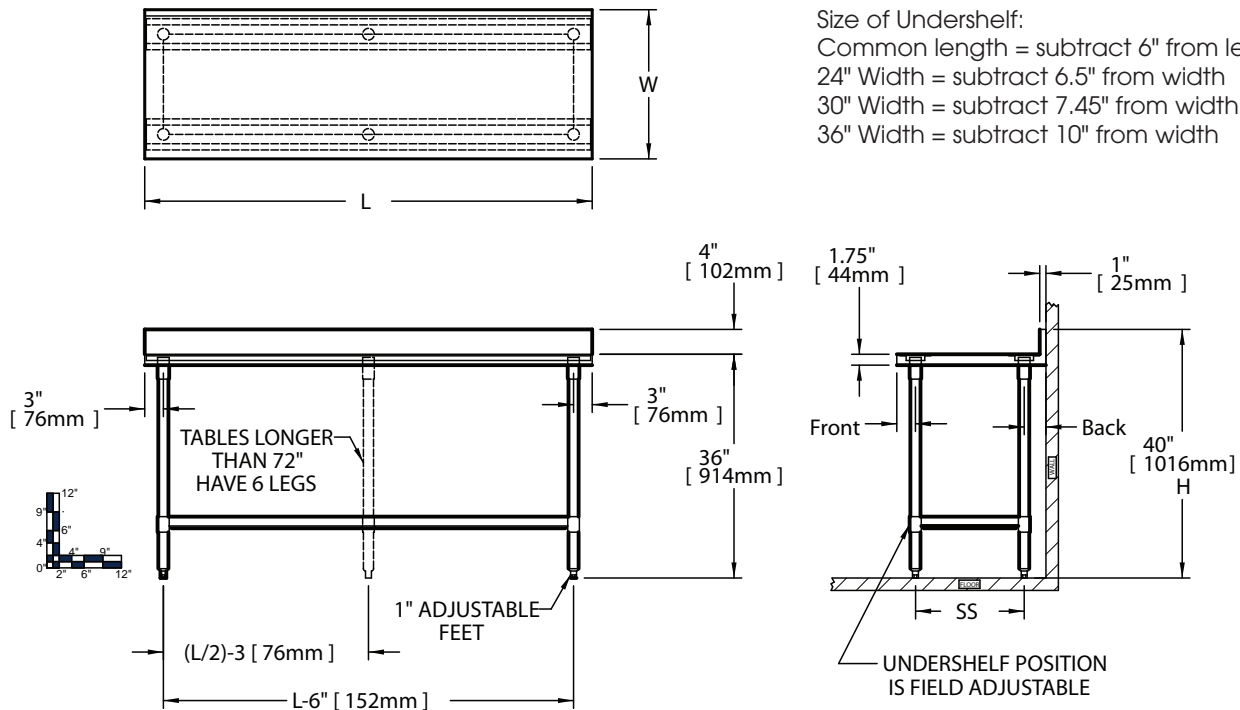
421 N. Freya St.
Spokane, WA 99205
Phone: 800-726-0553 Fax: 509-535-1493

Website: www.sspinc.net
Email: sspsales@elkay.com

©2011 Elkay

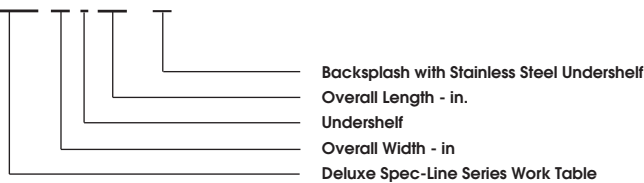


Item No.: _____ Qty.: _____
 Model No.: _____
 Project No.: _____



24" Work Table				30" Work Table				36" Work Table				Legs			
Model Number	Overall Size		Weight	Model Number	Overall Size		Weight	Model Number	Overall Size		Weight				
	Length	Height			Length	Height			Length	Height					
	L	H		L	H		L	H		L	H				
	in.	mm	lbs. kg		in.	mm	lbs. kg		in.	mm	lbs. kg				
DSLWT 24 S 18 - BS	18	457	40 1016	70 32	DSLWT 30 S 18 - BS	18	762	40 1016	78 35	DSLWT 36 S 18 - BS	18	914	40 1016	88 40	4
DSLWT 24 S 24 - BS	24	610	40 1016	81 37	DSLWT 30 S 24 - BS	24	914	40 1016	90 41	DSLWT 36 S 24 - BS	24	1219	40 1016	103 47	4
DSLWT 24 S 30 - BS	30	762	40 1016	93 42	DSLWT 30 S 30 - BS	30	762	40 1016	104 47	DSLWT 36 S 30 - BS	30	1524	40 1016	118 54	4
DSLWT 24 S 36 - BS	36	914	40 1016	108 49	DSLWT 30 S 36 - BS	36	914	40 1016	121 55	DSLWT 36 S 36 - BS	36	914	40 1016	138 63	4
DSLWT 24 S 48 - BS	48	1219	40 1016	132 60	DSLWT 30 S 48 - BS	48	1219	40 1016	147 67	DSLWT 36 S 48 - BS	48	1219	40 1016	168 76	4
DSLWT 24 S 60 - BS	60	1524	40 1016	160 73	DSLWT 30 S 60 - BS	60	1524	40 1016	179 81	DSLWT 36 S 60 - BS	60	1524	40 1016	205 93	4
DSLWT 24 S 72 - BS	72	1829	40 1016	184 84	DSLWT 30 S 72 - BS	72	1829	40 1016	206 94	DSLWT 36 S 72 - BS	72	1829	40 1016	236 107	4
DSLWT 24 S 84 - BS	84	2134	40 1016	224 102	DSLWT 30 S 84 - BS	84	2134	40 1016	249 113	DSLWT 36 S 84 - BS	84	2134	40 1016	284 129	6
DSLWT 24 S 96 - BS	96	2438	40 1016	248 113	DSLWT 30 S 96 - BS	96	2438	40 1016	276 125	DSLWT 36 S 96 - BS	96	2438	40 1016	316 144	6
DSLWT 24 S 108 - BS	108	2743	40 1016	280 127	DSLWT 30 S 108 - BS	108	2743	40 1016	311 141	DSLWT 36 S 108 - BS	108	2743	40 1016	356 162	6
DSLWT 24 S 120 - BS	120	3048	40 1016	305 139	DSLWT 30 S 120 - BS	120	3048	40 1016	339 154	DSLWT 36 S 120 - BS	120	3048	40 1016	388 176	6
DSLWT 24 S 132 - BS	132	3353	40 1016	338 154	DSLWT 30 S 132 - BS	132	2743	40 1016	376 171	DSLWT 36 S 132 - BS	132	2743	40 1016	430 195	6
DSLWT 24 S 144 - BS	144	3658	40 1016	363 165	DSLWT 30 S 144 - BS	144	3048	40 1016	403 183	DSLWT 36 S 144 - BS	144	3048	40 1016	461 210	6

* Custom sizes also available



Elkay SSP
 421 N. Freya St.
 Spokane, WA 99205
 Phone: 800-726-0553 Fax: 509-535-1493

Website: www.sspinc.net
 Email: sspsales@elkay.com
 ©2011 Elkay