

Item No.:	_____	Qty.:	_____
Model No.:	_____		
Project No.:	_____		

Deluxe Series Wall Mounted Shelf

Deluxe Wall Mounted Shelf with Stainless Steel Brackets



- | 10" | 12" | 14" |
|--------------------------------------|--------------------------------------|--------------------------------------|
| <input type="checkbox"/> DWMS-10-36 | <input type="checkbox"/> DWMS-12-36 | <input type="checkbox"/> DWMS-14-36 |
| <input type="checkbox"/> DWMS-10-48 | <input type="checkbox"/> DWMS-12-48 | <input type="checkbox"/> DWMS-14-48 |
| <input type="checkbox"/> DWMS-10-60 | <input type="checkbox"/> DWMS-12-60 | <input type="checkbox"/> DWMS-14-60 |
| <input type="checkbox"/> DWMS-10-72 | <input type="checkbox"/> DWMS-12-72 | <input type="checkbox"/> DWMS-14-72 |
| <input type="checkbox"/> DWMS-10-84 | <input type="checkbox"/> DWMS-12-84 | <input type="checkbox"/> DWMS-14-84 |
| <input type="checkbox"/> DWMS-10-96 | <input type="checkbox"/> DWMS-12-96 | <input type="checkbox"/> DWMS-14-96 |
| <input type="checkbox"/> DWMS-10-108 | <input type="checkbox"/> DWMS-12-108 | <input type="checkbox"/> DWMS-14-108 |
| <input type="checkbox"/> DWMS-10-120 | <input type="checkbox"/> DWMS-12-120 | <input type="checkbox"/> DWMS-14-120 |
| <input type="checkbox"/> DWMS-10-132 | <input type="checkbox"/> DWMS-12-132 | <input type="checkbox"/> DWMS-14-132 |
| <input type="checkbox"/> DWMS-10-144 | <input type="checkbox"/> DWMS-12-144 | <input type="checkbox"/> DWMS-14-144 |

Features

- 16 Gauge, 300 series stainless steel
- Turned down on front & sides, turned up 1-1/2" at rear
- Includes stainless steel wall brackets
- Welded construction for consistent metal gauge thickness throughout
- Shipped knocked down for reduced shipping costs

- | 16" | 18" |
|--------------------------------------|--------------------------------------|
| <input type="checkbox"/> DWMS-16-36 | <input type="checkbox"/> DWMS-18-36 |
| <input type="checkbox"/> DWMS-16-48 | <input type="checkbox"/> DWMS-18-48 |
| <input type="checkbox"/> DWMS-16-60 | <input type="checkbox"/> DWMS-18-60 |
| <input type="checkbox"/> DWMS-16-72 | <input type="checkbox"/> DWMS-18-72 |
| <input type="checkbox"/> DWMS-16-84 | <input type="checkbox"/> DWMS-18-84 |
| <input type="checkbox"/> DWMS-16-96 | <input type="checkbox"/> DWMS-18-96 |
| <input type="checkbox"/> DWMS-16-108 | <input type="checkbox"/> DWMS-18-108 |
| <input type="checkbox"/> DWMS-16-120 | <input type="checkbox"/> DWMS-18-120 |
| <input type="checkbox"/> DWMS-16-132 | <input type="checkbox"/> DWMS-18-132 |
| <input type="checkbox"/> DWMS-16-144 | <input type="checkbox"/> DWMS-18-144 |

Materials

- **Shelf:** 16 Gauge, 300 series stainless steel
- **Brackets:** Stainless steel

Options

- Bracket Upgrades / Modifications
- Edge Modifications
- Shelf Modifications
- Undershelves



AUTOQUOTES

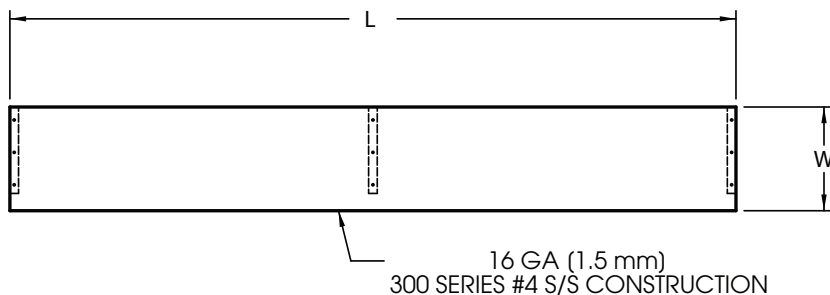


In keeping with our policy of continuing product improvement, Elkay SSP reserves the right to change product specifications without notice.

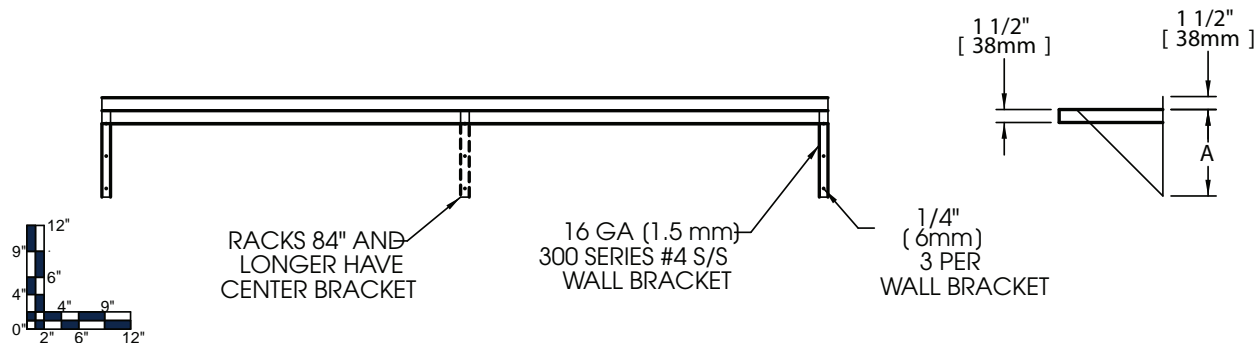
This specification describes an Elkay SSP product with design, quality and functional benefits to the user. When making a comparison of other producers' offerings, be certain these features are not overlooked.



Item No.: _____ Qty.: _____
 Model No.: _____
 Project No.: _____



NOTE:
 BRACKETS SHIP LOOSE
 SHELF ATTACHES TO BRACKETS
 WITH SILICONE OR
 CONSTRUCTION ADHESIVE



10" Shelf			12" Shelf			14" Shelf			16" Shelf			18" Shelf												
Model Number	Overall Length L		Weight		Model Number	Overall Length L		Weight		Model Number	Overall Length L		Weight											
	in.	mm	lbs.	kg		in.	mm	lbs.	kg		in.	mm	lbs.	kg										
DWMS-10-36	36	914	9	4	DWMS-12-36	36	914	11	5	DWMS-14-36	36	914	13	6	DWMS-16-36	36	914	15	7	DWMS-18-36	36	914	17	8
DWMS-10-48	48	1219	13	6	DWMS-12-48	48	1219	15	7	DWMS-14-48	48	1219	17	8	DWMS-16-48	48	1219	20	9	DWMS-18-48	48	1219	22	10
DWMS-10-60	60	1524	16	7	DWMS-12-60	60	1524	19	8	DWMS-14-60	60	1524	22	10	DWMS-16-60	60	1524	24	11	DWMS-18-60	60	1524	27	12
DWMS-10-72	72	1829	19	9	DWMS-12-72	72	1829	22	10	DWMS-14-72	72	1829	26	12	DWMS-16-72	72	1829	29	13	DWMS-18-72	72	1829	32	14
DWMS-10-84	84	2134	22	10	DWMS-12-84	84	2134	26	12	DWMS-14-84	84	2134	30	14	DWMS-16-84	84	2134	33	15	DWMS-18-84	84	2134	37	17
DWMS-10-96	96	2438	26	12	DWMS-12-96	96	2438	31	14	DWMS-14-96	96	2438	36	16	DWMS-16-96	96	2438	40	18	DWMS-18-96	96	2438	44	20
DWMS-10-108	108	2743	30	13	DWMS-12-108	108	2743	35	16	DWMS-14-108	108	2743	40	18	DWMS-16-108	108	2743	45	20	DWMS-18-108	108	2743	49	22
DWMS-10-120	120	3048	33	15	DWMS-12-120	120	3048	38	17	DWMS-14-120	120	3048	44	20	DWMS-16-120	120	3048	48	22	DWMS-18-120	120	3048	54	24
DWMS-10-132	132	3353	36	16	DWMS-12-132	120	3048	42	19	DWMS-14-132	132	3353	46	21	DWMS-16-132	132	3353	52	24	DWMS-18-132	132	3353	58	27
DWMS-10-144	144	3658	39	18	DWMS-12-144	120	3048	46	21	DWMS-14-144	144	3658	49	22	DWMS-16-144	144	3658	56	26	DWMS-18-144	144	3658	63	28

* Custom sizes also available

