

Item No.:	_____	Qty.:	_____
Model No.:	_____		
Project No.:	_____		



Deluxe Series Work Table

Deluxe Work Table, Backsplash with Stainless Steel Undershef

24"

- DWT24S18-BS
- DWT24S24-BS
- DWT24S30-BS
- DWT24S36-BS
- DWT24S48-BS
- DWT24S60-BS
- DWT24S72-BS
- DWT24S84-BS
- DWT24S96-BS
- DWT24S108-BS
- DWT24S120-BS
- DWT24S132-BS
- DWT24S144-BS

30"

- DWT30S18-BS
- DWT30S24-BS
- DWT30S30-BS
- DWT30S36-BS
- DWT30S48-BS
- DWT30S60-BS
- DWT30S72-BS
- DWT30S84-BS
- DWT30S96-BS
- DWT30S108-BS
- DWT30S120-BS
- DWT30S132-BS
- DWT30S144-BS

Features

- 16 Gauge, 300 series stainless steel
- 4" Backsplash with 1" return
- Welded construction for consistent metal gauge thickness throughout
- Sound deadened between top and bottom hat channels with double sided tape
- 1-5/8" Stainless steel legs and feet, adjustable up to 1"
- Fully adjustable stainless steel undershef
- Shipped knocked down for reduced shipping costs and supplied with Allen wrench and screws

Materials

- **Top:** 16 Gauge, 300 series stainless steel, 1-3/4" turned-down edge
- **Legs:** 1-5/8" Diameter heavy gauge stainless steel tubing with stainless steel leg gussets and stainless steel feet, adjustable up to 1"
- **Undershef:** 18 Gauge, 300 series stainless steel with 1-1/2" turned-down edge, fully adjustable

Options

- Custom Size / Height
- Cutout in Top (depending on size and location)
- Edge Modification
- Urn Trough
- Overshelves
- Undershelves
- Drawers
- Sink
- Splash
- Base Options
- Welded Set-Up
- Casters / Feet Upgrade

* For additional available options, contact Elkay SSP



AUTOQUOTES

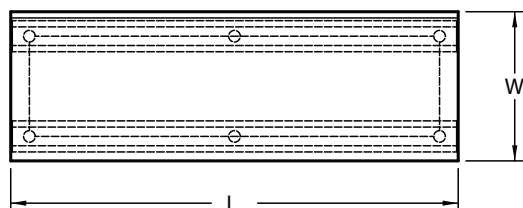


In keeping with our policy of continuing product improvement, Elkay SSP reserves the right to change product specifications without notice.

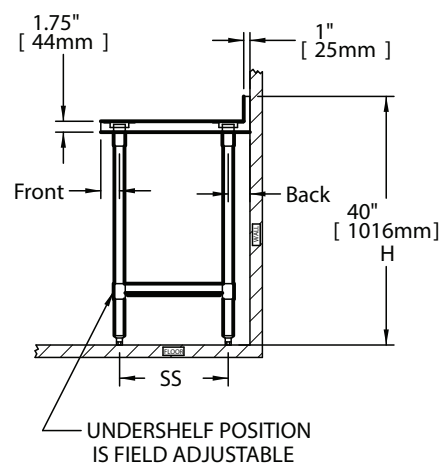
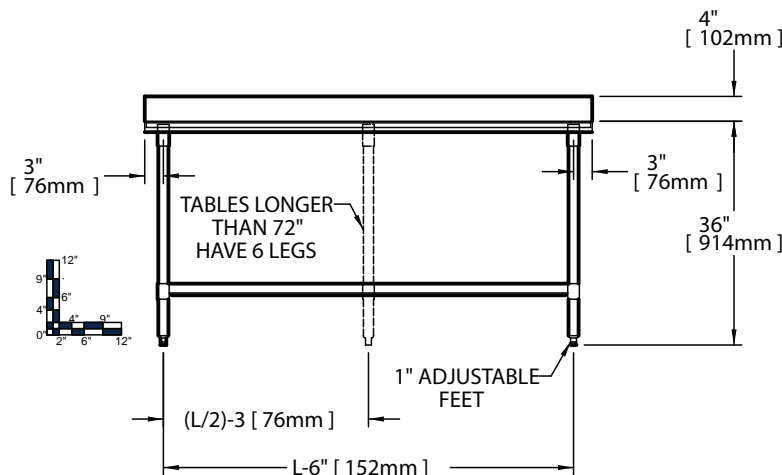
This specification describes an Elkay SSP product with design, quality and functional benefits to the user. When making a comparison of other producers' offerings, be certain these features are not overlooked.



Item No.: _____ Qty.: _____
 Model No.: _____
 Project No.: _____

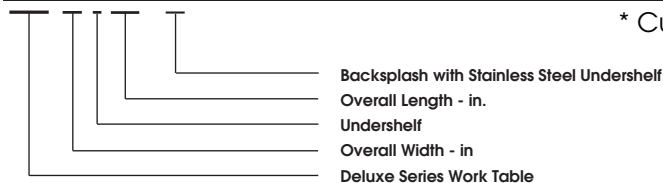


Size of Undershef:
 Common length = subtract 6" from length
 24" Width = subtract 6.5" from width
 30" Width = subtract 7.45" from width



24" Work Table					30" Work Table					Legs				
Model Number	Overall Size		Weight		Model Number	Overall Size		Weight						
	Length L	Height H	lbs.	kg		Length L	Height H	lbs.	kg					
	in.	mm	in.	mm		in.	mm	in.	mm	lbs.	kg			
DWT 24 S 18 - BS	18	457	40	1016	67	30	DWT 30 S 18 - BS	18	762	40	1016	74	34	4
DWT 24 S 24 - BS	24	610	40	1016	77	35	DWT 30 S 24 - BS	24	914	40	1016	85	39	4
DWT 24 S 30 - BS	30	762	40	1016	88	40	DWT 30 S 30 - BS	30	762	40	1016	97	44	4
DWT 24 S 36 - BS	36	914	40	1016	102	46	DWT 30 S 36 - BS	36	914	40	1016	114	52	4
DWT 24 S 48 - BS	48	1219	40	1016	124	56	DWT 30 S 48 - BS	48	1219	40	1016	138	63	4
DWT 24 S 60 - BS	60	1524	40	1016	151	69	DWT 30 S 60 - BS	60	1524	40	1016	167	76	4
DWT 24 S 72 - BS	72	1829	40	1016	173	79	DWT 30 S 72 - BS	72	1829	40	1016	192	87	4
DWT 24 S 84 - BS	84	2134	40	1016	210	95	DWT 30 S 84 - BS	84	2134	40	1016	233	106	6
DWT 24 S 96 - BS	96	2438	40	1016	233	106	DWT 30 S 96 - BS	96	2438	40	1016	258	117	6
DWT 24 S 108 - BS	108	2743	40	1016	263	120	DWT 30 S 108 - BS	108	2743	40	1016	291	132	6
DWT 24 S 120 - BS	120	3048	40	1016	286	130	DWT 30 S 120 - BS	120	3048	40	1016	317	144	6
DWT 24 S 132 - BS	132	3353	40	1016	318	145	DWT 30 S 132 - BS	132	2743	40	1016	351	160	6
DWT 24 S 144 - BS	144	3658	40	1016	341	155	DWT 30 S 144 - BS	144	3048	40	1016	377	171	6

* Custom sizes also available



Elkay SSP
 421 N. Freya St.
 Spokane, WA 99205
 Phone: 800-726-0553 Fax: 509-535-1493

Website: www.sspinc.net
 Email: sspsales@elkay.com
 ©2011 Elkay