

Item No.:	_____	Qty.:	_____
Model No.:	_____		
Project No.:	_____		

## Deluxe Series Work Table

*Deluxe Work Table, Flat Top with Stainless Steel Undershef*



### 24"

- DWT24S18-ST5
- DWT24S24-ST5
- DWT24S30-ST5
- DWT24S36-ST5
- DWT24S48-ST5
- DWT24S60-ST5
- DWT24S72-ST5
- DWT24S84-ST5
- DWT24S96-ST5
- DWT24S108-ST5
- DWT24S120-ST5
- DWT24S132-ST5
- DWT24S144-ST5

### 30"

- DWT30S18-ST5
- DWT30S24-ST5
- DWT30S30-ST5
- DWT30S36-ST5
- DWT30S48-ST5
- DWT30S60-ST5
- DWT30S72-ST5
- DWT30S84-ST5
- DWT30S96-ST5
- DWT30S108-ST5
- DWT30S120-ST5
- DWT30S132-ST5
- DWT30S144-ST5

### Features

- 16 Gauge, 300 series stainless steel
- Welded construction for consistent metal gauge thickness throughout
- Sound deadened between top and bottom hat channels with double sided tape
- 1-5/8" Stainless steel legs and feet, adjustable up to 1"
- Fully adjustable stainless steel undershef
- Shipped knocked down for reduced shipping costs and supplied with Allen wrench and screws

### Options

- Custom Size / Height
- Cutout in Top (depending on size and location)
- Edge Modification
- Urn Trough
- Overshelves
- Undershelves
- Drawers
- Sink
- Splash
- Base Options
- Welded Set-Up
- Casters / Feet Upgrade

\* For additional available options, contact Elkay SSP

### Materials

- **Top:** 16 Gauge, 300 series stainless steel, 1-3/4" turned-down edge
- **Legs:** 1-5/8" Diameter heavy gauge stainless steel tubing with stainless steel leg gussets and stainless steel feet, adjustable up to 1"
- **Undershef:** 18 Gauge, 300 series stainless steel with 1-1/2" turned-down edge, fully adjustable



**AUTOQUOTES**



*In keeping with our policy of continuing product improvement, Elkay SSP reserves the right to change product specifications without notice.*

*This specification describes an Elkay SSP product with design, quality and functional benefits to the user. When making a comparison of other producers' offerings, be certain these features are not overlooked.*

### Elkay SSP

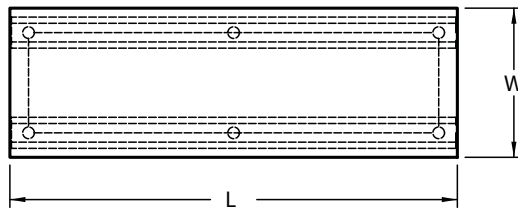
421 N. Freya St.  
Spokane, WA 99205  
Phone: 800-726-0553 Fax: 509-535-1493

Website: [www.sspinc.net](http://www.sspinc.net)  
Email: [sspsales@elkay.com](mailto:sspsales@elkay.com)

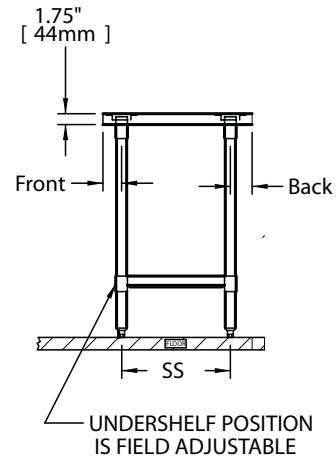
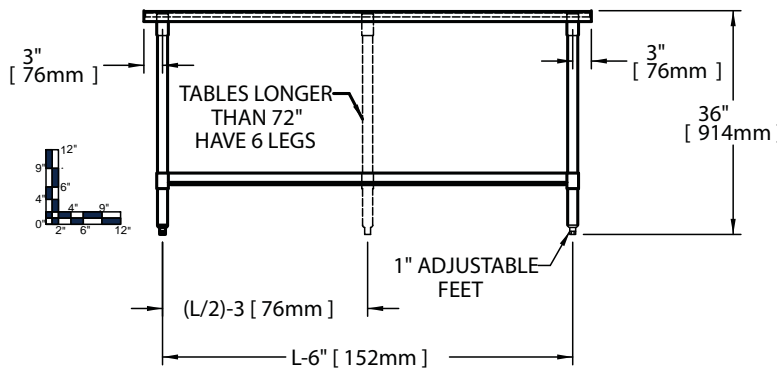
©2011 Elkay



Item No.: \_\_\_\_\_ Qty.: \_\_\_\_\_  
 Model No.: \_\_\_\_\_  
 Project No.: \_\_\_\_\_



Size of Undershef:  
 Common length = subtract 6" from length  
 24" Width = subtract 6.5" from width  
 30" Width = subtract 7.45" from width



24" Work Table					30" Work Table					Legs				
Model Number	Overall Size		Weight		Model Number	Overall Size		Weight						
	Length L	Height H	lbs.	kg		Length L	Height H	lbs.	kg					
	in.	mm	in.	mm		in.	mm	in.	mm	lbs.	kg			
DWT 24 S 18 - STS	18	457	36	914	65	30	DWT 30 S 18 - STS	18	762	36	914	72	33	4
DWT 24 S 24 - STS	24	610	36	914	75	34	DWT 30 S 24 - STS	24	914	36	914	83	38	4
DWT 24 S 30 - STS	30	762	36	914	85	39	DWT 30 S 30 - STS	30	762	36	914	95	43	4
DWT 24 S 36 - STS	36	914	36	914	99	45	DWT 30 S 36 - STS	36	914	36	914	111	50	4
DWT 24 S 48 - STS	48	1219	36	914	121	55	DWT 30 S 48 - STS	48	1219	36	914	134	61	4
DWT 24 S 60 - STS	60	1524	36	914	147	67	DWT 30 S 60 - STS	60	1524	36	914	164	75	4
DWT 24 S 72 - STS	72	1829	36	914	168	76	DWT 30 S 72 - STS	72	1829	36	914	188	85	4
DWT 24 S 84 - STS	84	2134	36	914	205	93	DWT 30 S 84 - STS	84	2134	36	914	228	104	6
DWT 24 S 96 - STS	96	2438	36	914	228	104	DWT 30 S 96 - STS	96	2438	36	914	253	115	6
DWT 24 S 108 - STS	108	2743	36	914	257	117	DWT 30 S 108 - STS	108	2743	36	914	285	130	6
DWT 24 S 120 - STS	120	3048	36	914	280	127	DWT 30 S 120 - STS	120	3048	36	914	310	141	6
DWT 24 S 132 - STS	132	3353	36	914	311	141	DWT 30 S 132 - STS	132	2743	36	914	344	156	6
DWT 24 S 144 - STS	144	3658	36	914	333	151	DWT 30 S 144 - STS	144	3048	36	914	370	168	6

\* Custom sizes also available

