

Item No.:	_____	Qty.	_____
Model No.:	_____		
Project No.:	_____		



12" Economy Series Sinks

12" Deep Economy Series Two Compartment Stainless Steel Sinks

- E2C16X20-0X**
- E2C20X20-0X**
- E2C24X24-0X**

Options

- Faucets
- Tub Accessories
- Undershelves
- Rotary Drain Options
- H-Frame Stainless Steel Legs
- Stainless Steel Feet Options (bullet & flange styles)

Specifications

12" Economy Series Sink, with two compartments, no drainboards, 9" backsplash, 18 gauge, 300 series stainless steel top and bowl, galvanized legs & adjustable feet, raised 1-1/2" rolled edge, includes 3-1/2" basket strainer, NSF approved

Features

- 18 Ga. stainless steel
- Welded construction for consistent metal gauge thickness throughout
- 12" (304.8 mm) deep tubs with 3/4" (19.1 mm) coved radius tub corners
- 9" (228.6 mm) backsplash with tile ledge for easy installation
- Raised 1-1/2" (38.1 mm) diameter rolled edge
- 3-1/2" (88.9 mm) drain with basket strainers included
- 1-5/8" (41.3 mm) galvanized legs with 1" (25.4 mm) adjustable plastic feet
- 2" (50.8 mm) divider between each tub

Materials

- Sink & Bowl: 18 Ga. 300 series stainless steel
- Top: Backsplash is 18 gauge 300 series stainless steel.
- Legs: All sinks furnished with 1-5/8" (41.3 mm) diameter heavy gauge galvanized tubing with plated galvanized leg gussets and high impact corrosion resistant fully adjustable 1" (25.4 mm) feet.

Mechanical

- 1-1/8" (28.6mm) faucet holes on 8" (203.2mm) centers
- 3-1/2" (88.9mm) waste drain opening

Flyer Product

In keeping with our policy of continuing product improvement, Elkay SSP reserves the right to change product specifications without notice.



AUTOQUOTES



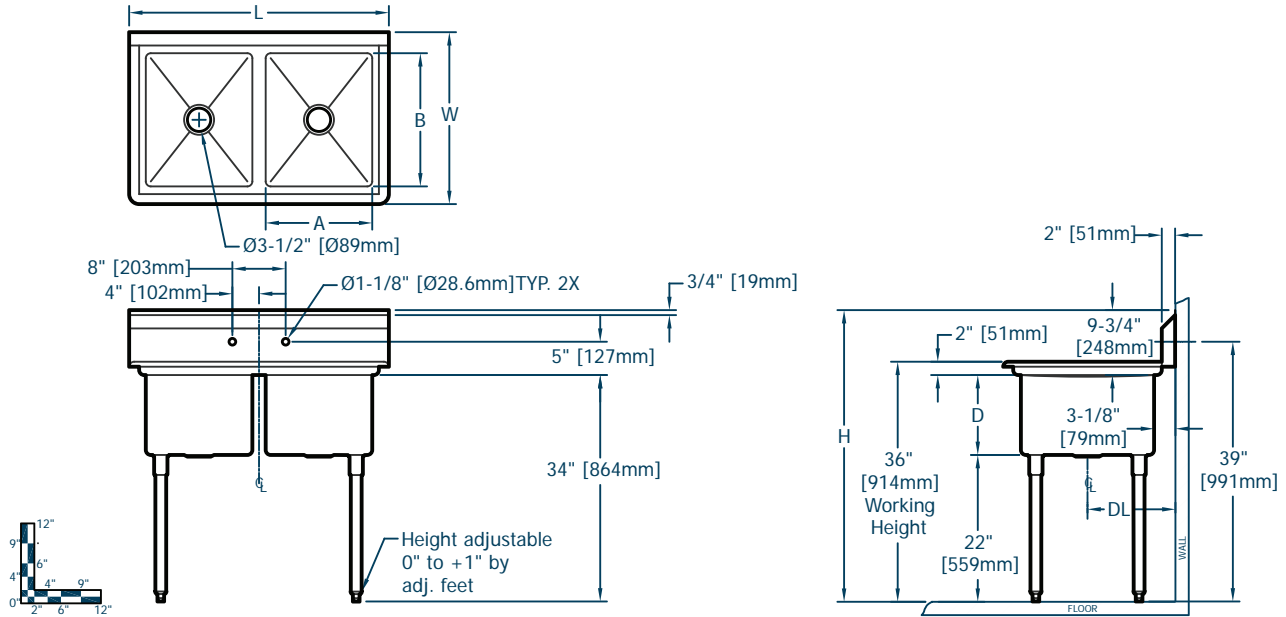
This specification describes an Elkay SSP product with design, quality and functional benefits to the user. When making a comparison of other producers' offerings, be certain these features are not overlooked.



Item No.: _____ Qty. _____
 Model No.: _____
 Project No.: _____

12" Economy Series Sinks

12" Deep Economy Series Two Compartment Stainless Steel Sinks



Economy Series Sinks																			
Model Number	Bowl Dimensions						Overall Size						Drainboard		Drain Location		Weight		
	Width		Front-to-Back		Depth		Length		Width		Height		Location	Size	Location	lbs.	kg		
	A	mm	B	mm	D	mm	L	mm	W	mm	H	mm	DB	mm	DL	mm	mm	mm	
E 2C 16 X 20 0 X	16	406	20	508	12	305	39	991	25.8	656	43.8	1111	No	0	0	13	330	64	29
E 2C 20 X 20 0 X	20	508	20	508	12	305	47	1194	25.8	656	43.8	1111	No	0	0	13	330	71	32
E 2C 24 X 24 0 X	24	610	24	610	12	305	55	1397	29.8	757	43.8	1111	No	0	0	15	381	56	25

