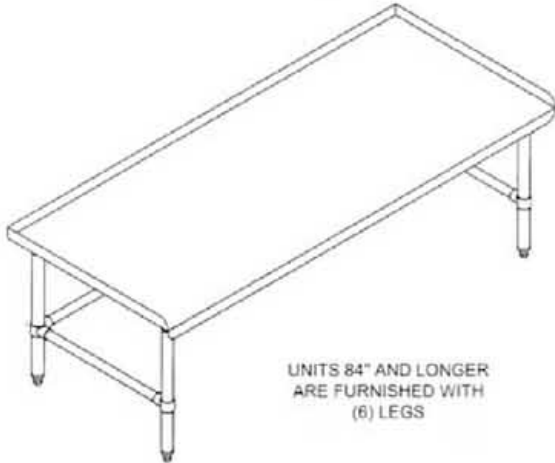




**STANDARD
EQUIPMENT STANDS
WITH OPEN BASE**



UNITS 84" AND LONGER
ARE FURNISHED WITH
(6) LEGS

STG FEATURES:

TOP: 16 GAUGE 304 STAINLESS STEEL

LEGS: STAINLESS STEEL LEG SOCKETS, 1-5/8" DIAMETER GALVANIZED STEEL LEGS WITH 1" ADJUSTABLE PLASTIC FEET

BRACING: 1-1/4" DIAMETER GALVANIZED STEEL

STS FEATURES:

TOP: 16 GAUGE 304 STAINLESS STEEL

LEGS: STAINLESS STEEL LEG SOCKETS, 1-5/8" DIAMETER STAINLESS STEEL LEGS WITH 1" ADJUSTABLE METAL FEET

BRACING: 1-1/4" DIAMETER STAINLESS STEEL

SPEC-LINE SERIES:

14 GAUGE 304 STAINLESS STEEL TOP

WEIGHT: ADD 26% TO WEIGHT SHOWN

To order Spec-Line series, write SL at the start of the model number.

STANDARD SIZES (in.)

WIDTH	STG MODELS	STS MODELS	LENGTH	HEIGHT
24	ES24X36-STG	ES24X36-STS	36	25-3/4
	ES24X48-STG	ES24X48-STS	48	
	ES24X60-STG	ES24X60-STS	60	
	ES24X72-STG	ES24X72-STS	72	
	ES24X84-STG	ES24X84-STS	84	
	ES24X96-STG	ES24X96-STS	96	
	ES24X108-STG	ES24X108-STS	108	
	ES24X120-STG	ES24X120-STS	120	
30	ES30X36-STG	ES30X36-STS	36	
	ES30X48-STG	ES30X48-STS	48	
	ES30X60-STG	ES30X60-STS	60	
	ES30X72-STG	ES30X72-STS	72	
	ES30X84-STG	ES30X84-STS	84	
	ES30X96-STG	ES30X96-STS	96	
	ES30X108-STG	ES30X108-STS	108	
	ES30X120-STG	ES30X120-STS	120	

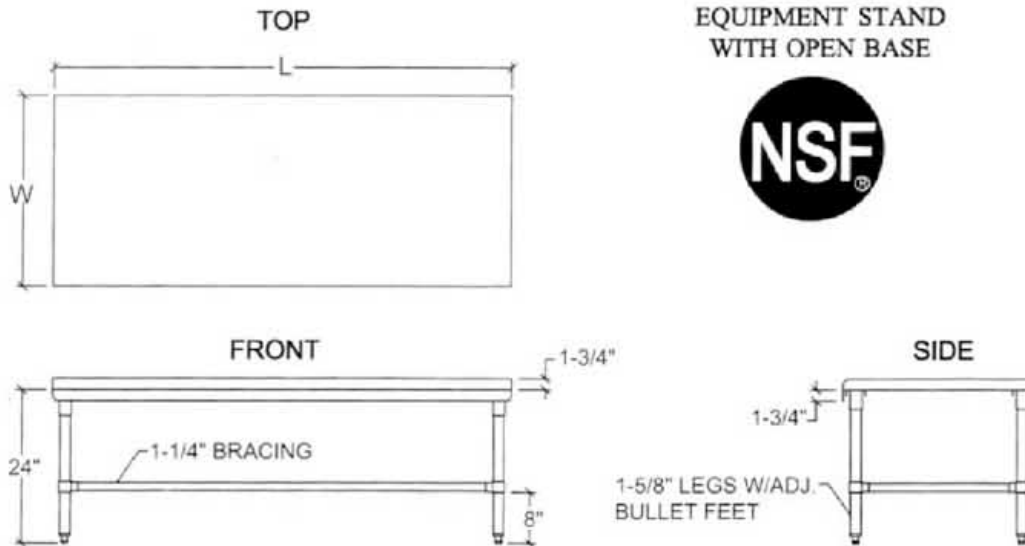
CUSTOM SIZES AVAILABLE!

SPECIFICATIONS

DATE: _____ MODEL NO: _____

PROJECT: _____

STANDARD
EQUIPMENT STAND
WITH OPEN BASE



To order Spec-Line series, write SL at the start of the stock number.

DIMENSIONS (in.)

WIDTH	STG MODELS	STS MODELS	LENGTH	APPROX. WT. (lbs.)
24	ES24X36-STG	ES24X36-STS	36	65
	ES24X48-STG	ES24X48-STS	48	75
	ES24X60-STG	ES24X60-STS	60	85
	ES24X72-STG	ES24X72-STS	72	95
	ES24X84-STG	ES24X84-STS	84	120
	ES24X96-STG	ES24X96-STS	96	130
	ES24X108-STG	ES24X108-STS	108	140
	ES24X120-STG	ES24X120-STS	120	155
30	ES30X36-STG	ES30X36-STS	36	75
	ES30X48-STG	ES30X48-STS	48	85
	ES30X60-STG	ES30X60-STS	60	95
	ES30X72-STG	ES30X72-STS	72	110
	ES30X84-STG	ES30X84-STS	84	130
	ES30X96-STG	ES30X96-STS	96	140
	ES30X108-STG	ES30X108-STS	108	155
	ES30X120-STG	ES30X120-STS	120	165

(Specifications Subject To Change)

