

Item No.:	_____	Qty.:	_____
Model No.:	_____		
Project No.:	_____		

Economy Series Wall Mounted Shelf

Economy Wall Mounted Shelf with Stainless Steel Brackets



- | 12" | 14" |
|--------------------------------------|--------------------------------------|
| <input type="checkbox"/> EWMS-12-24X | <input type="checkbox"/> EWMS-14-24X |
| <input type="checkbox"/> EWMS-12-36X | <input type="checkbox"/> EWMS-14-36X |
| <input type="checkbox"/> EWMS-12-48X | <input type="checkbox"/> EWMS-14-48X |
| <input type="checkbox"/> EWMS-12-60X | <input type="checkbox"/> EWMS-14-60X |
| <input type="checkbox"/> EWMS-12-72X | <input type="checkbox"/> EWMS-14-72X |
| <input type="checkbox"/> EWMS-12-84X | <input type="checkbox"/> EWMS-14-84X |
| <input type="checkbox"/> EWMS-12-96X | <input type="checkbox"/> EWMS-14-96X |

Features

- 18 Gauge, 430 series stainless steel
- Turned down on front & sides, turned up 1-1/2" at rear
- Includes stainless steel wall brackets
- Welded construction for consistent metal gauge thickness throughout
- Shipped knocked down for reduced shipping costs

Materials

- **Shelf:** 18 Gauge, 430 series stainless steel
- **Brackets:** Stainless steel

Options

- Bracket Upgrades / Modifications
- Edge Modifications
- Shelf Modifications
- Undershelves

Flyer Product



AUTOQUOTES

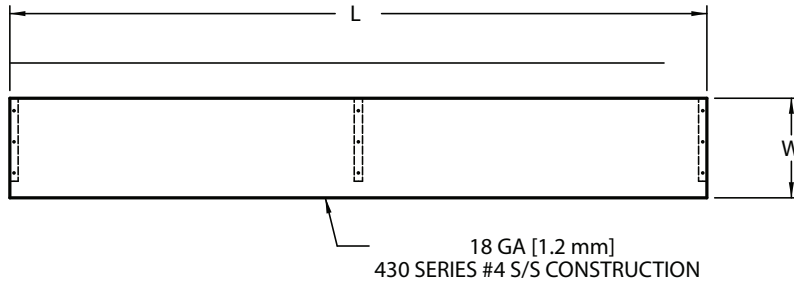


In keeping with our policy of continuing product improvement, Elkay SSP reserves the right to change product specifications without notice.

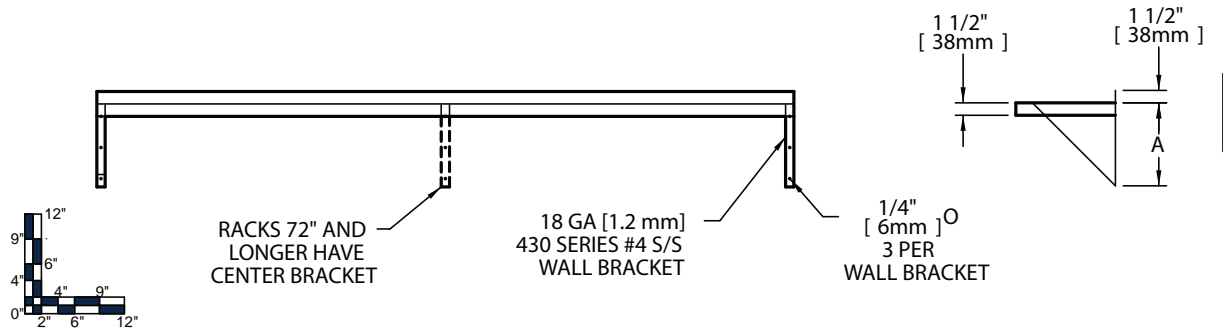
This specification describes an Elkay SSP product with design, quality and functional benefits to the user. When making a comparison of other producers' offerings, be certain these features are not overlooked.



Item No.: _____ Qty.: _____
 Model No.: _____
 Project No.: _____



NOTE:
BRACKETS SHIP LOOSE
SHELF ATTACHES TO BRACKETS
WITH SILICONE OR CONSTRUCTION
ADHESIVE



12" Shelf				14" Shelf					
Model Number	Overall Length L		Weight		Model Number	Overall Length L		Weight	
	in.	mm	lbs.	kg		in.	mm	lbs.	kg
EWMS -12 -24 X	36	914	8	4	EWMS -14 -24 X	36	914	12	5
EWMS -12 -36 X	36	914	11	5	EWMS -14 -36 X	36	914	15	7
EWMS -12 -48 X	48	1219	14	6	EWMS -14 -48 X	48	1219	18	8
EWMS -12 -60 X	60	1524	16	7	EWMS -14 -60 X	60	1524	21	10
EWMS -12 -72 X	72	1829	20	9	EWMS -14 -72 X	72	1829	25	11
EWMS -12 -84 X	84	2134	23	10	EWMS -14 -84 X	84	2134	30	14
EWMS -12 -96 X	96	2438	26	12	EWMS -14 -96 X	96	2438	33	15

* Custom sizes also available

