

FEATURES

Model LK406HA08L2

- Two hole dual handle top mount faucet
- Quarter turn ceramic disc cartridge
- Solid brass construction
- Chrome finish
- 2.2 GPM VR aerator with 1.5 and .5 GPM inserts
- Includes spout swing restriction pin

Model LK406HA08T4

- Same as LK406HA08L2 except with 4" wrist blades handles

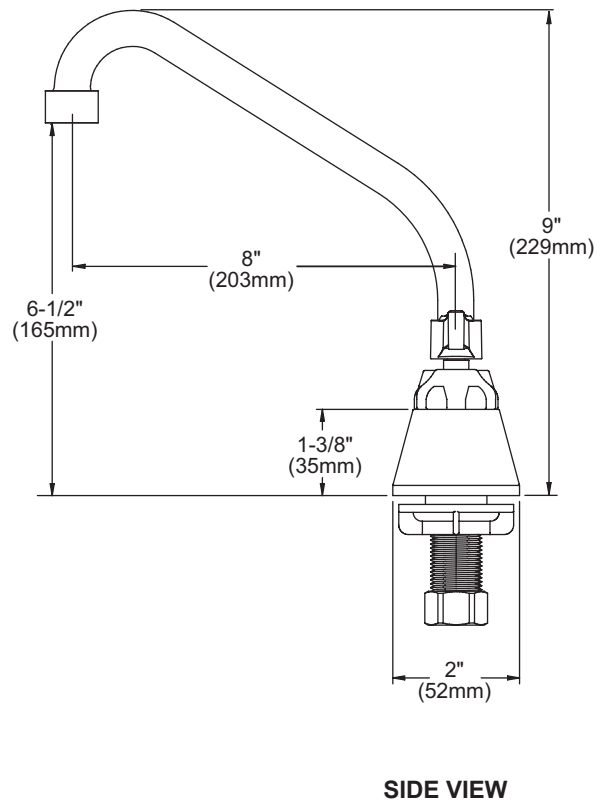
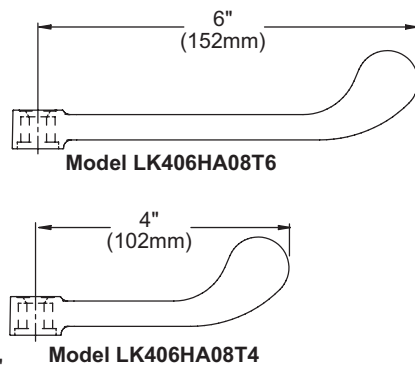
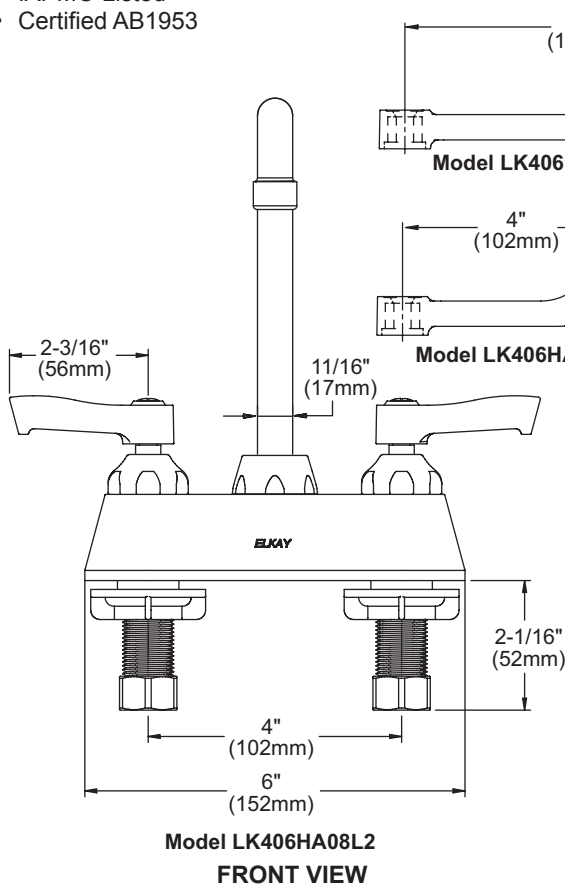
Model LK406HA08T6

- Same as LK406HA08L2 except with 6" wrist blades handles

COMPLIES WITH:

- ASME/ANSI A112.18.1
- CSA B125-01
- NSF/ANSI 61 Annex G
- ADA
- UPC/CUPC
- IAPMO Listed
- Certified AB1953

Deck Mount 4" Center Commercial Faucet Models LK406HA08L2, LK406HA08T4, LK406HA08T6



Job Name:

Item #:

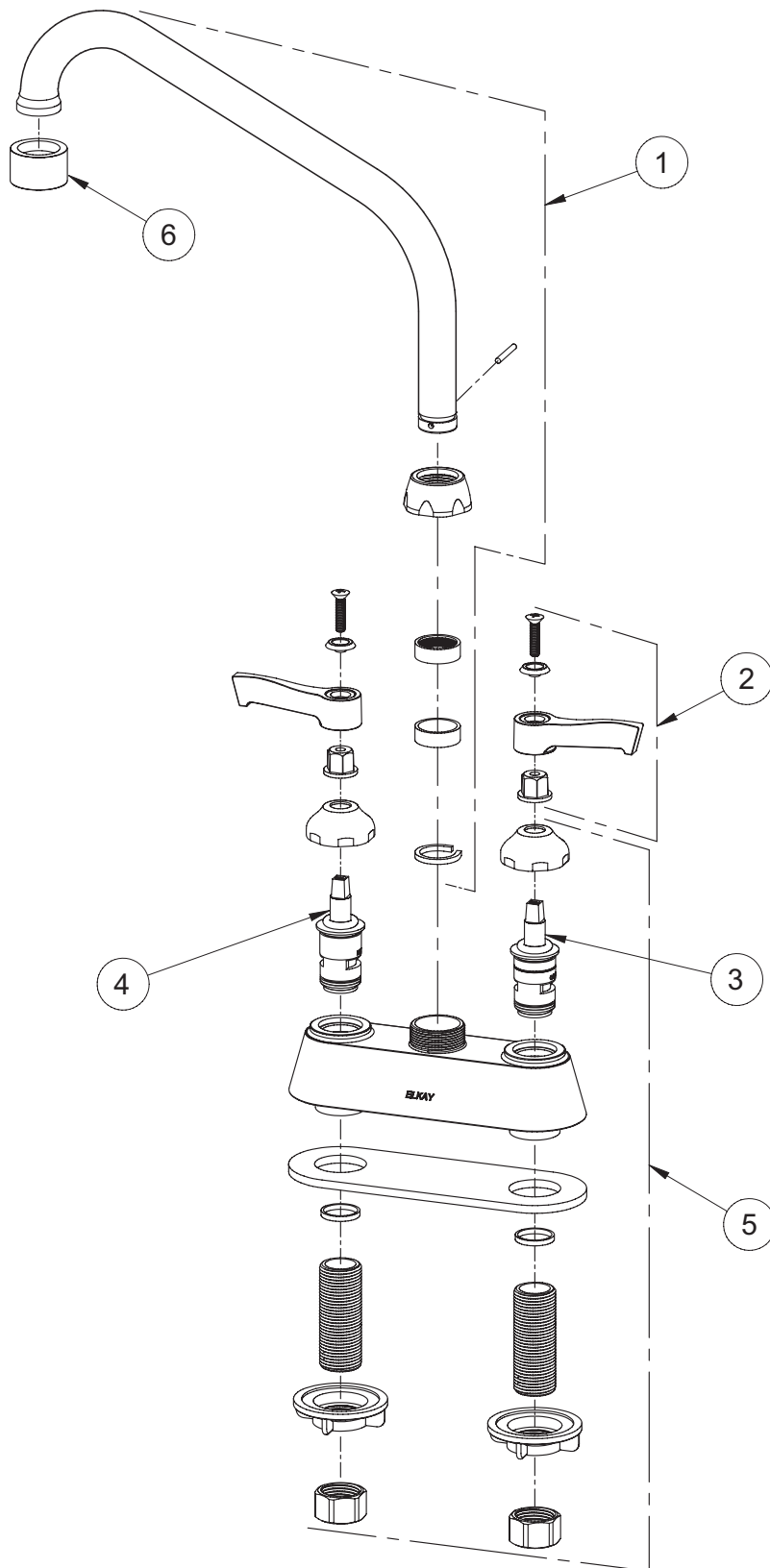
Notes:

Architect/Engineer Approval:

Date:

SEE OTHER SIDE FOR REPLACEMENT PARTS

Deck Mount 4" Center Commercial Faucet Models LK406HA08L2, LK406HA08T4, LK406HA08T6



| ITEM | IND. PART | DESCRIPTION |
|------|-----------|----------------------|
| 1 | A55446 | Spout |
| 2 | 45918C | Handle, 2" |
| 2 | 45919C | Handle, 4" |
| 2 | 45920C | Handle, 6" |
| 3 | 45923C | Right Cold Cartridge |
| 4 | 45924C | Left Hot Cartridge |
| 5 | 45917C | Body |
| 6 | LK734 | 2.2 GPM VR Aerator |