

FEATURES

Model LK500AT14L2

- One hole dual handle top mount faucet
- Quarter turn ceramic disc cartridge
- Solid brass construction
- Chrome finish
- 2.2 GPM VR aerator with 1.5 and .5 GPM inserts
- Includes spout swing restriction pin

Model LK500AT14T4

- Same as LK500AT14L2 except with 4" wrist blades handles

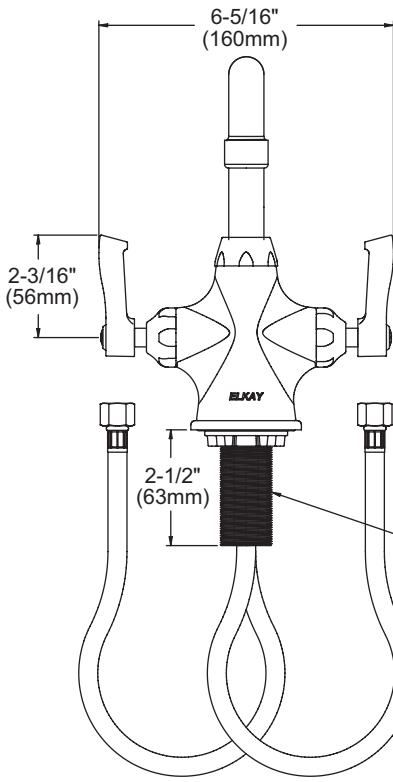
Model LK500AT14T6

- Same as LK500AT14L2 except with 6" wrist blades handles

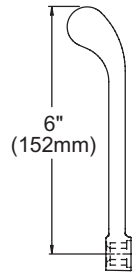
COMPLIES WITH:

- ASME/ANSI A112.18.1
- CSA B125-01
- NSF/ANSI 61 Annex G
- ADA
- UPC/CUPC
- IAPMO Listed
- Certified AB1953

Concealed Deck Commercial Faucet Models LK500AT14L2, LK500AT14T4, LK500AT14T6



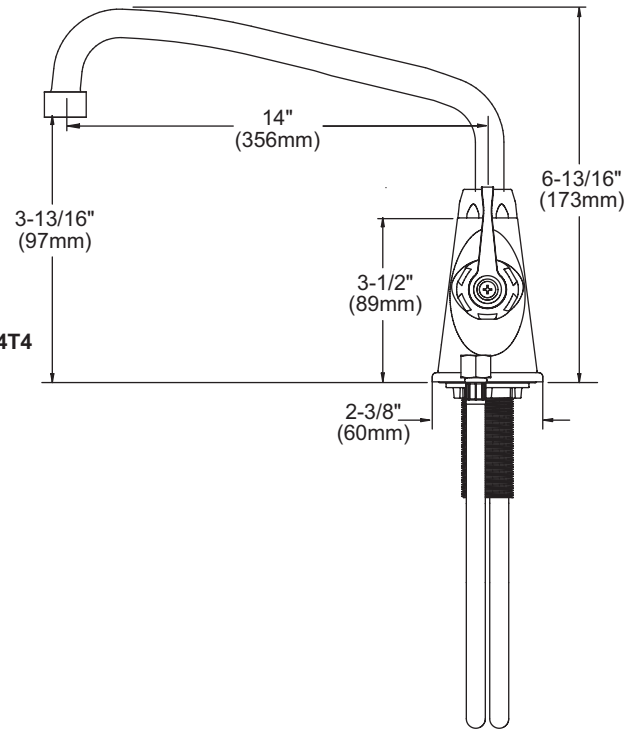
Model LK500AT14L2
FRONT VIEW



Model LK500AT14T6



Model LK500AT14T4



SIDE VIEW

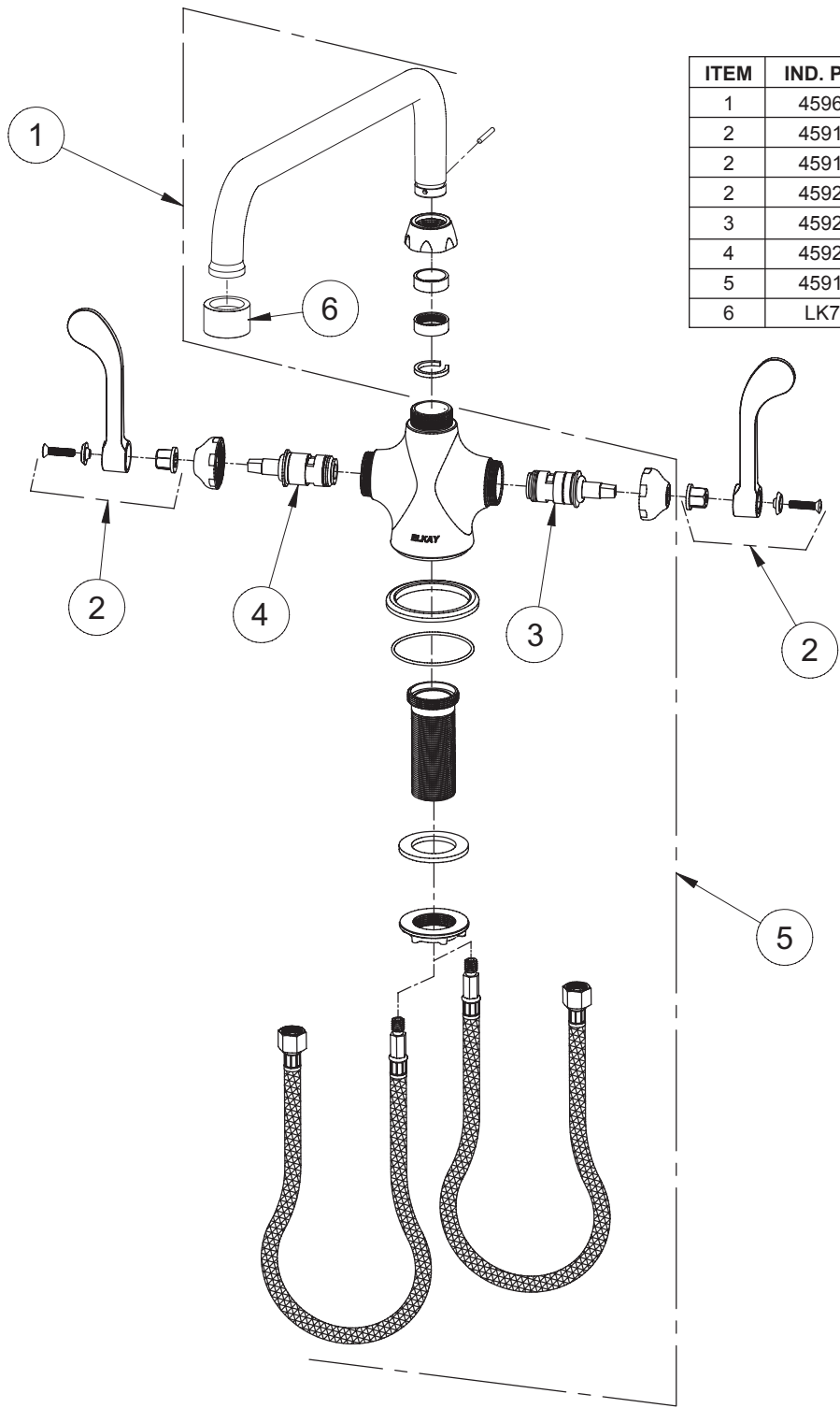
Job Name:	Item #:
Notes:	
Architect/Engineer Approval:	Date:

SEE OTHER SIDE FOR REPLACEMENT PARTS



REPLACEMENT PARTS

Concealed Deck Commercial Faucet Models LK500AT14L2, LK500AT14T4, LK500AT14T6



ITEM	IND. PART	DESCRIPTION
1	45963C	Spout
2	45918C	Handle, 2"
2	45919C	Handle, 4"
2	45920C	Handle, 6"
3	45923C	Right Cold Cartridge
4	45924C	Left Hot Cartridge
5	45915C	Body
6	LK734	2.2 GPM VR Aerator